

# MİMARİ KATALOG ARCHITECTURAL CATALOGUE

Alüminyum Kapı Pencere ve Giydirme Cephe Sistemleri  
Aluminium Window Doors and Facade Systems

 **RESCARA**

R50





**TEKNİK ÖZELLİKLER / TECHNICAL PROPERTIES**

PROFİL GENİŞLİĞİ / PROFILE WIDTH	50 mm
DİKME DERİNLİKLERİ / MULLION DEPTHS	min 80 - max 200 mm
KAYIT DERİNLİKLERİ / TRANSOM DEPTHS	min 30 - max 146 mm
PROFİL ET KALINLIĞI / PROFILE WALL THICKNESS	1,6/1,8/2/2,2/2,5/3 mm
MAKS. CAM KALINLIĞI / MAX. GLASS THICKNESS	(Kapaklı / with cape profile) 40 mm (Kasetli / with structurel profile) 37 mm
ISI BARIYERİ / THERMAL INSULATION BARS	14,8 mm

**PERFORMANS DEĞERLERİ / PERFORMANCE VALUES**

HAVA GEÇİRGENLİĞİ / AIR PERMEABILITY	EN 12152	A4 (600 pa)
SU SIZDIRMAZLIĞI / WATERTIGHTNESS	EN 12154	R7 (600 pa)
RÜZGAR YÜKÜNE DAYANIM / RESISTANCE TO WIND LOAD	EN 13116	$\pm 1,2$ KN/m <sup>2</sup>
ISI YALITIM DEĞERİ (UF) / THERMAL INSULATION VALUE (UF)	EN 10077-2	
Kapaklı / With cape profile		2,76 W/m <sup>2</sup> k - 4,54 W/m <sup>2</sup> k
Kasetli / With structurel cells		3,19 W/m <sup>2</sup> k

**UYGULAMA SEÇENEKLERİ / APPLICATION OPTIONS**

KAPAKLI CEPHE / CURTAIN WALL WITH CAP	•
KASETLİ CEPHE / WITH STRUCTUREL CELLS	•
YARI KAPAKLI CEPHE / TWO SIDE	•
DIŞA AÇILIR GİZLİ KANAT / OUTWARD OPENING HIDDEN VENT	•
PARALLEL AÇILIM GİZLİ KANAT / PARALLEL OPENING HIDDEN VENT	•
ÇELİK TAKVİYELİ SİSTEM / STEEL REINFORCEMENT SYSTEM	•

# MİMARİ KATALOG

## ARCHITECTURAL CATALOGUE

Alüminyum Kapı Pencere ve Giydirme Cephe Sistemleri  
Aluminium Window Doors and Facade Systems



Rescara Sistem Detayları  
Rescara System Details

# R50

**PROFİLLER**

PROFILES

01

02

03

04

05

06

07

08

09

10

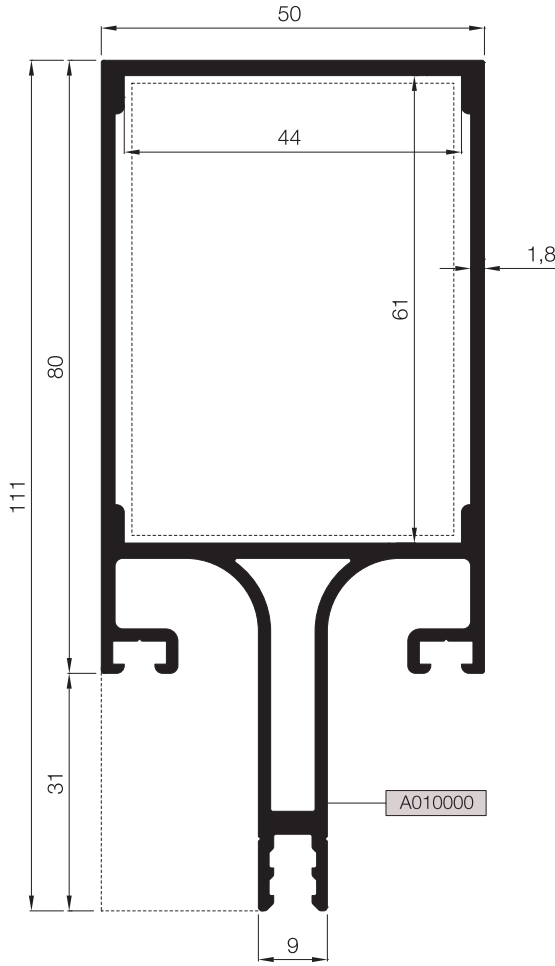
# DÜŞEY PROFİLLER

## MULLION PROFILES

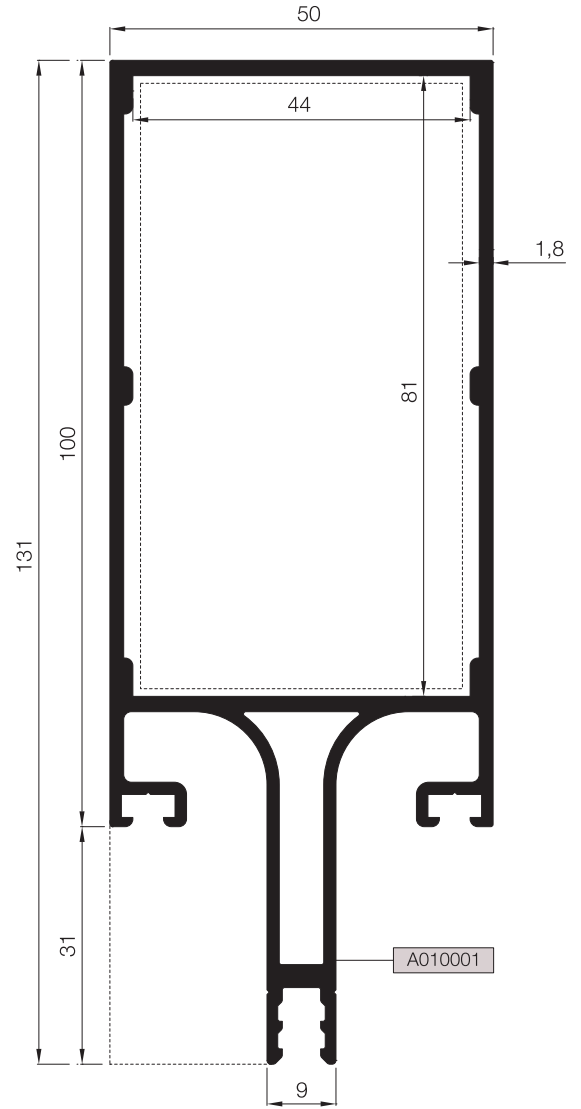
# R50

KOD / CODE	AĞIRLIK (kg/m) / WEIGHT	Jxx cm <sup>4</sup>	Jyy cm <sup>4</sup>	Wx cm <sup>3</sup>	Wy cm <sup>3</sup>	L m	
R50 M 01	1,956	76,277	22,984	12,871	9,194	6	
R50 M 02	2,159	124,204	27,739	18,301	11,095	6	

### R50 M 01



### R50 M 02



Nr	DÜŞEY BAĞLANTI PROFİLİ / MULLION CONNECTION PROFILE				KESİM ÖLÇÜSÜ CUTTING SIZE
	PROFİL KODU / PROFILE CODE	AKSESUAR KODU / ACCESSORY CODE			
R50 M 01	A010000 (A010018-A010083)	06.01.01			60,5 mm
R50 M 02	A010001 (A010018-A010083)	06.01.02			80,5 mm

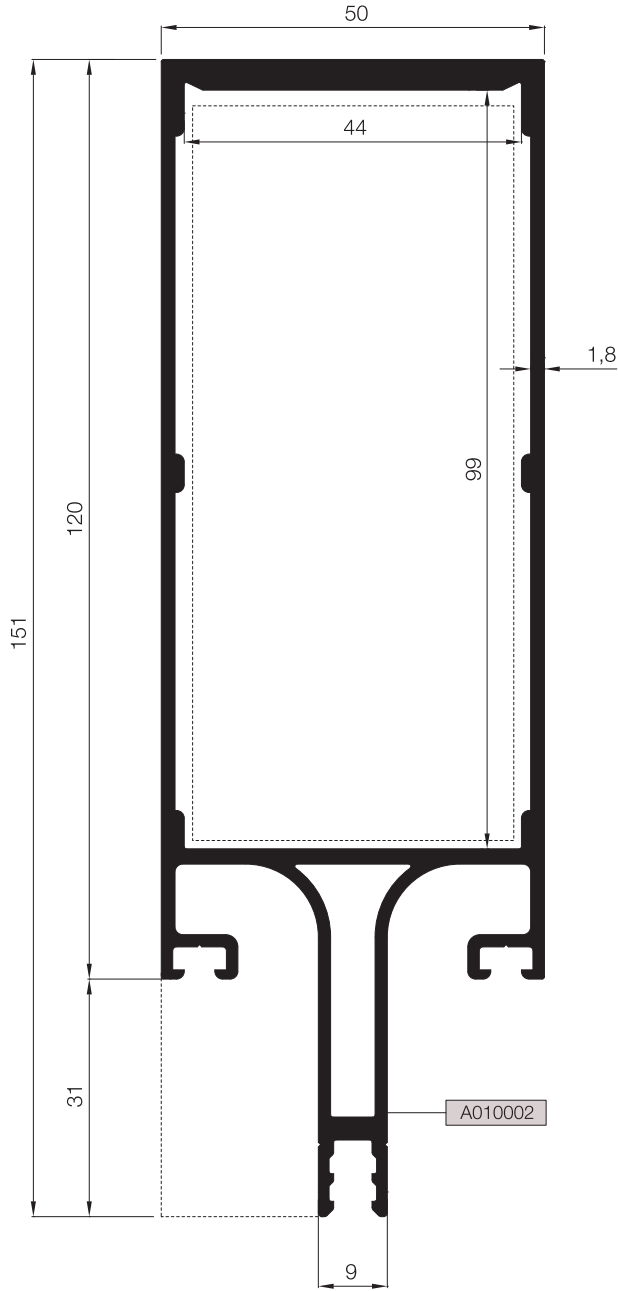


DÜŞEY PROFİLLER  
MULLION PROFILES

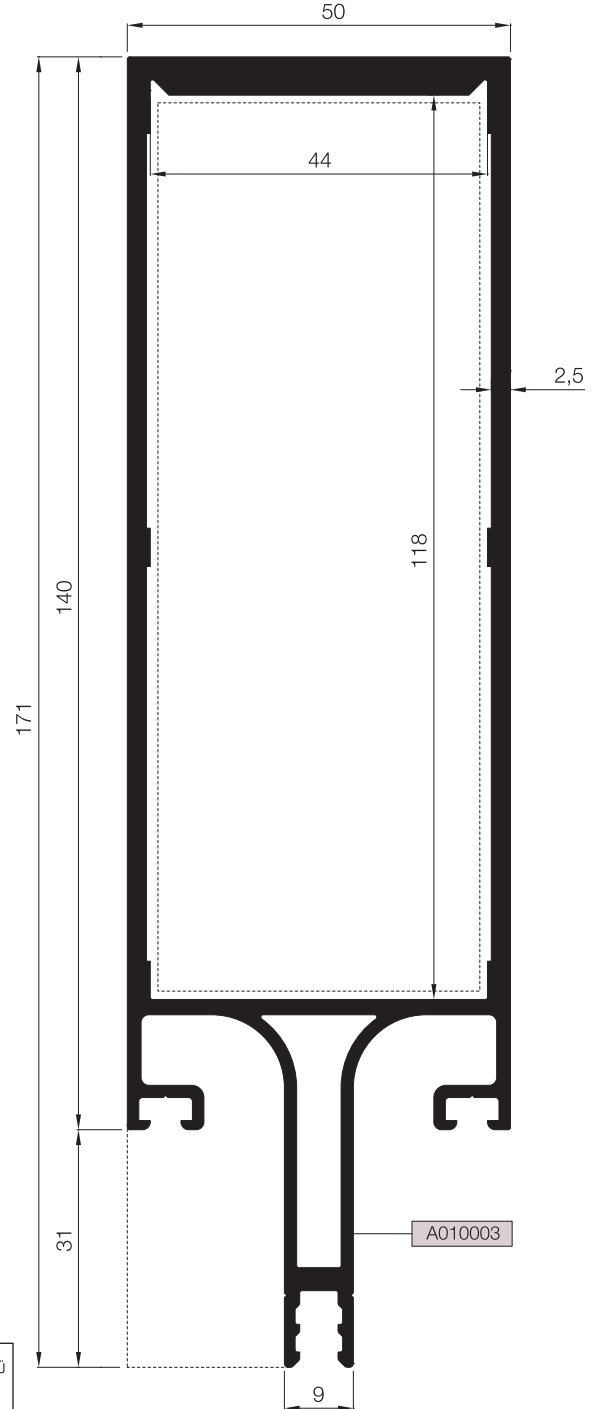
R50

KOD / CODE	AĞIRLIK (kg/m) / WEIGHT	Jxx cm4	Jyy cm4	Wx cm3	Wy cm3	L m	
R50 M 03	2,608	229,394	33,599	27,547	13,439	6	
R50 M 04	3,318	362,158	45,975	37,408	18,390	6	

R50 M 03



R50 M 04



Nr	DÜŞEY BAĞLANTI PROFİLİ / MULLION CONNECTION PROFILE				KESİM ÖLÇÜSÜ CUTTING SIZE
	PROFİL KODU / PROFILE CODE	AKSESUAR KODU / ACCESSORY CODE			
R50 M 03	A010002	(A010018-A010083)	06.01.03		98,5 mm
R50 M 04	A010003	(A010018-A010083)	06.01.04		117,5 mm

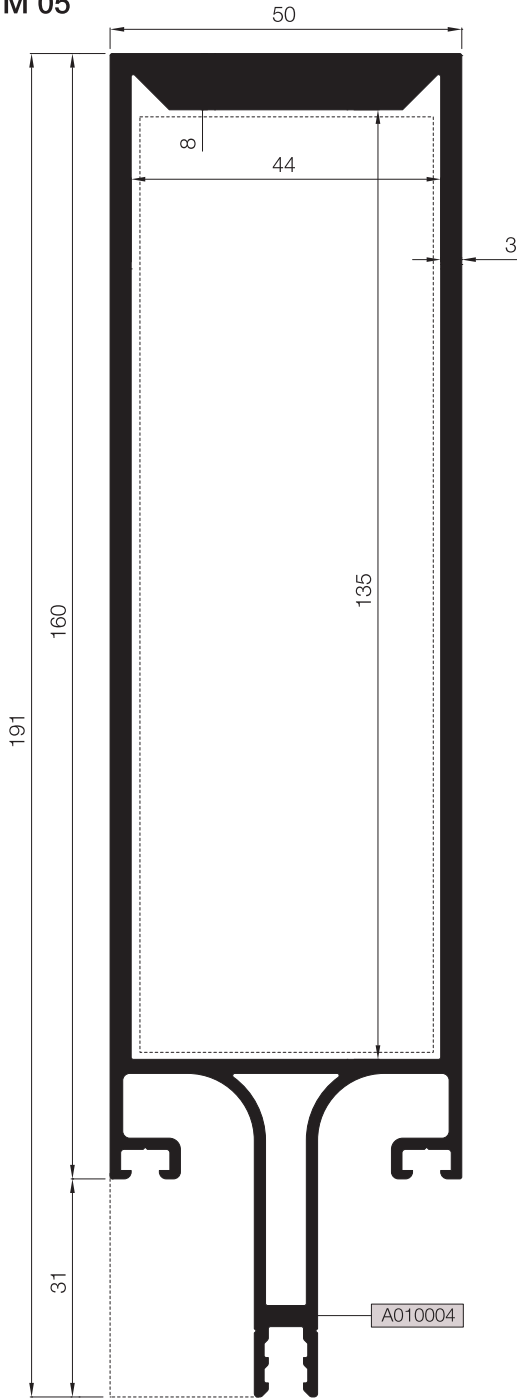
# DÜŞEY PROFİLLER

## MULLION PROFILES

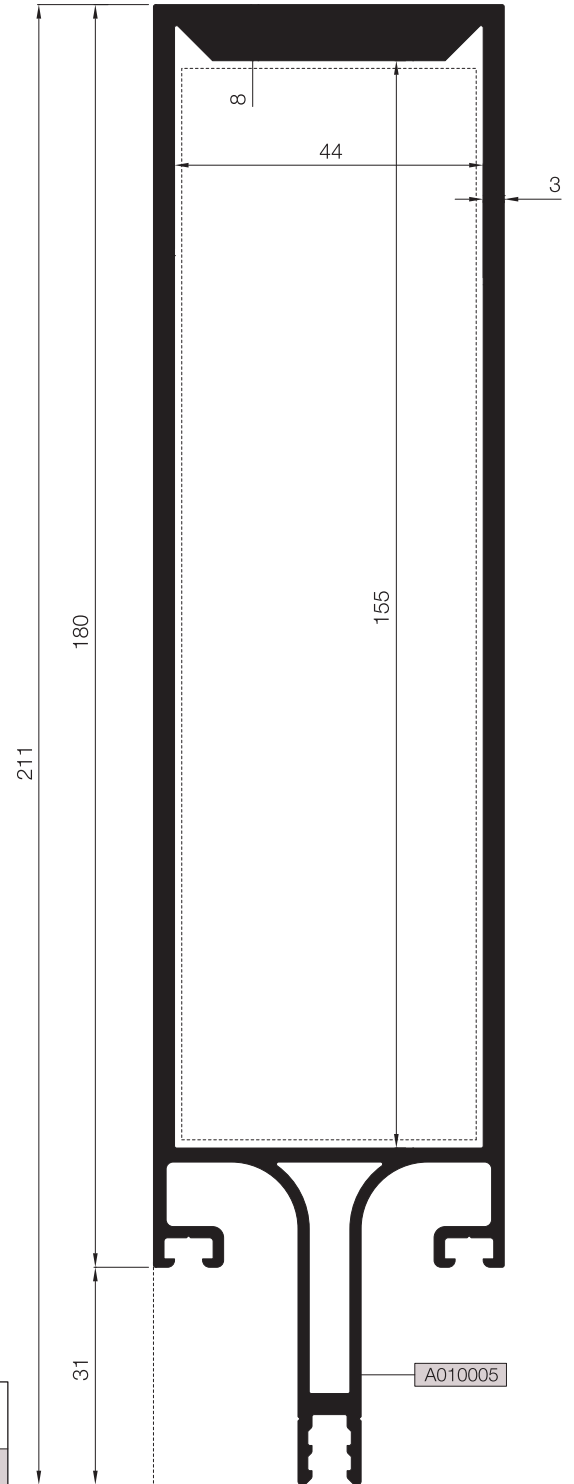
# R50

KOD / CODE	AĞIRLIK (kg/m) / WEIGHT	Jxx cm4	Jyy cm4	Wx cm3	Wy cm3	L m	
R50 M 05	4,208	572,600	58,900	50,722	23,560	6	
R50 M 06	4,534	757,666	65,536	61,561	26,214	6	

R50 M 05



R50 M 06



Nr	DÜŞEY BAĞLANTI PROFİLİ / MULLION CONNECTION PROFILE			KESİM ÖLÇÜSÜ CUTTING SIZE
	PROFİL KODU / PROFILE CODE	AKSESUAR KODU / ACCESSORY CODE		
R50 M 05	A010004 (A010018-A010083)	06.01.05		134,5 mm
R50 M 06	A010005 (A010018-A010083)	06.01.06		154,5 mm

# DÜŞEY PROFİLLER

## MULLION PROFILES

# R50

KOD / CODE	AĞIRLIK (kg/m) / WEIGHT	Jxx cm4	Jyy cm4	Wx cm3	Wy cm3	L m	
R50 M 29	3,332	470,432	47,371	45,077	18,948	6	
R50 M 26	4,976	1007,142	72,877	76,770	29,151	6	

01

02

03

04

05

06

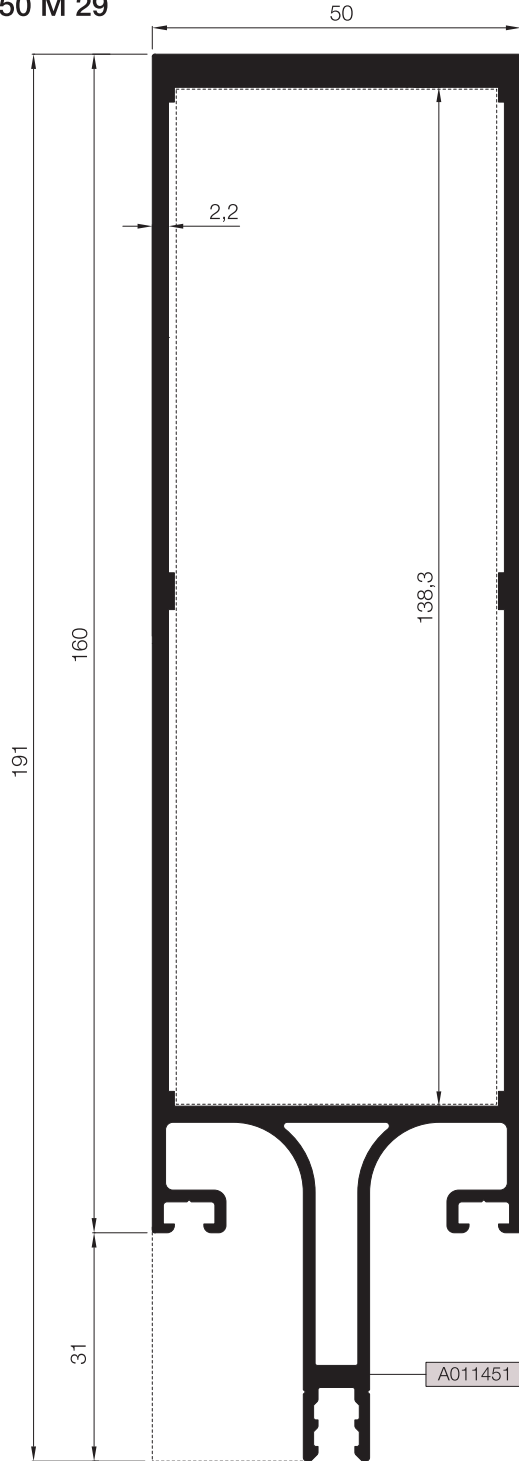
07

08

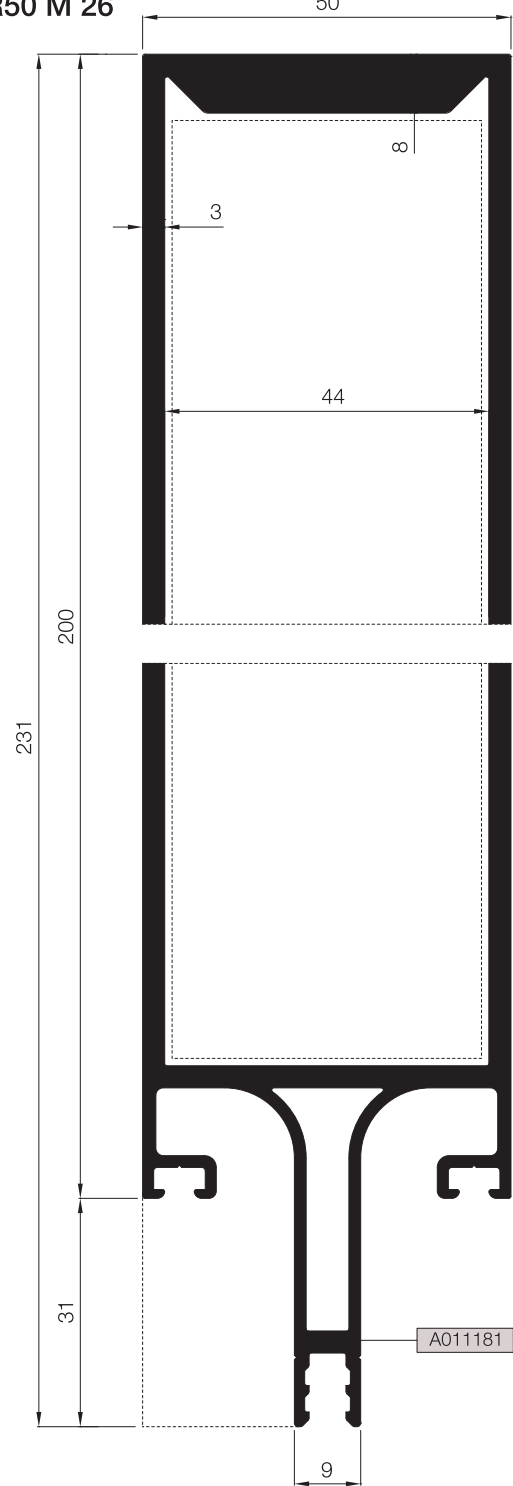
09

10

### R50 M 29



### R50 M 26



Nr	DÜŞEY BAĞLANTI PROFİLİ / MULLION CONNECTION PROFILE		KESİM ÖLÇÜSÜ CUTTING SIZE
	PROFİL KODU / PROFILE CODE	AKSESUAR KODU / ACCESSORY CODE	
R50 M 29	A011451 (A010018-A010083)	06.01.19	137,8 mm

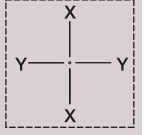
Nr	DÜŞEY BAĞLANTI PROFİLİ / MULLION CONNECTION PROFILE		KESİM ÖLÇÜSÜ CUTTING SIZE
	PROFİL KODU / PROFILE CODE	AKSESUAR KODU / ACCESSORY CODE	
R50 M 26	A011181 (A010018-A010083)	06.01.17	173,5 mm

# DÜŞEY PROFİLLER

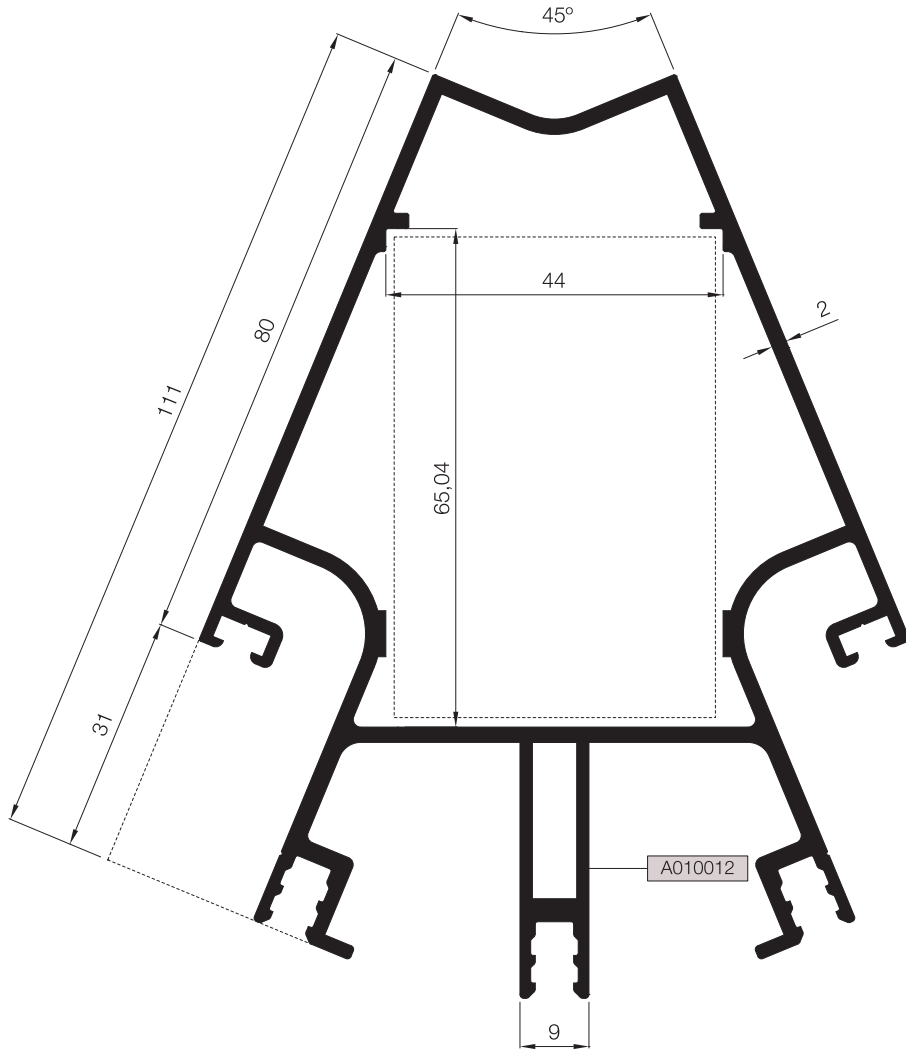
## MULLION PROFILES

# R50

KOD / CODE	AĞIRLIK (kg/m) / WEIGHT	Jxx cm4	Jyy cm4	Wx cm3	Wy cm3	L m	
R50 M 07	2,758	119,572	72,419	17,692	15,631	6	



R50 M 07



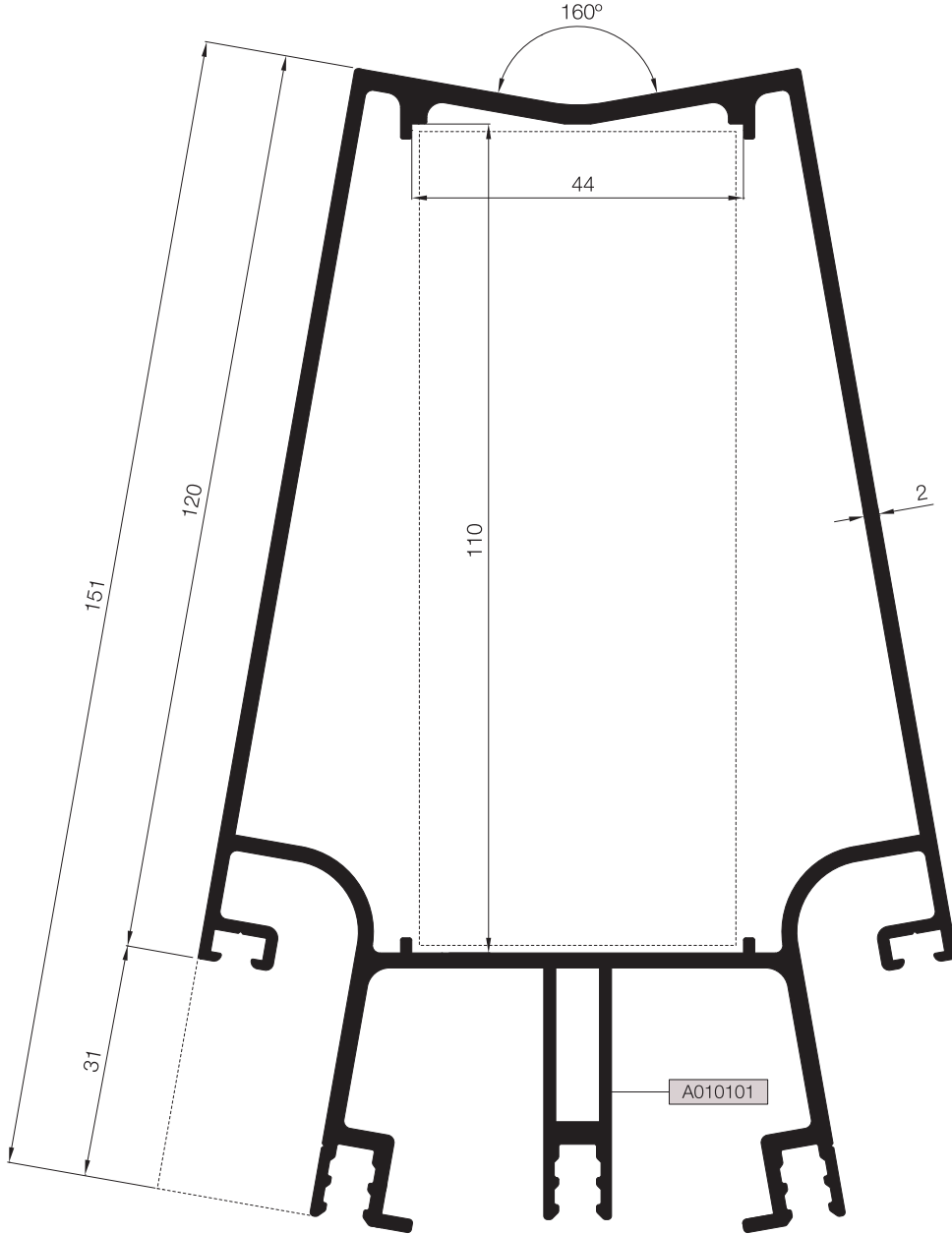
Nr	DÜŞEY BAĞLANTI PROFİLİ / MULLION CONNECTION PROFILE		KESİM ÖLÇÜSÜ CUTTING SIZE
	PROFİL KODU / PROFILE CODE	AKSESUAR KODU / ACCESSORY CODE	
R50 M 07	A010012 (A010018-A010083)	06.01.07	64,5 mm

DÜŞEY PROFİLLER  
MULLION PROFILES

R50

KOD / CODE	AĞIRLIK (kg/m) / WEIGHT	Jxx cm4	Jyy cm4	Wx cm3	Wy cm3	L m	
R50 M 09	3,472	331,169	123,652	38,867	24,566	6	

R50 M 09



Nr	DÜŞEY BAĞLANTI PROFİLİ / MULLION CONNECTION PROFILE				KESİM ÖLÇÜSÜ CUTTING SIZE
	PROFİL KODU / PROFILE CODE		AKSESUAR KODU / ACCESSORY CODE		
R50 M 09	A010101	(A010018-A010083)	06.01.09		109,5 mm

01

02

03

04

05

06

07

08

09

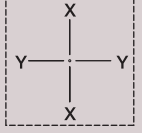
10

# DÜŞEY PROFİLLER

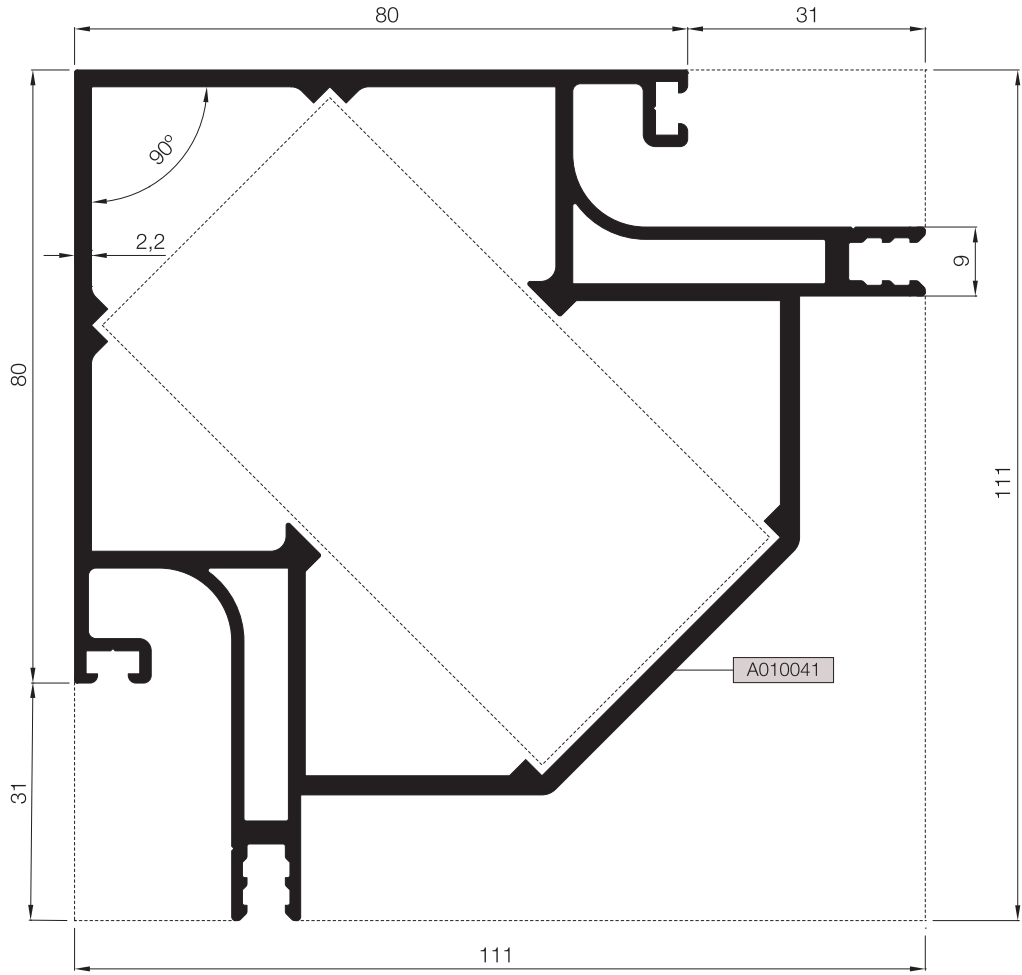
## MULLION PROFILES

# R50

KOD / CODE	AĞIRLIK (kg/m) / WEIGHT	Jxx cm4	Jyy cm4	Wx cm3	Wy cm3	L m	
R50 M 11	3,225	134,445	134,445	21,055	21,055	6	



R50 M 11

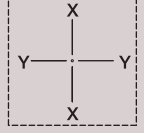


Nr	DÜŞEY BAĞLANTI PROFİLİ / MULLION CONNECTION PROFILE		KESİM ÖLÇÜSÜ CUTTING SIZE
	PROFİL KODU / PROFILE CODE	AKSESUAR KODU / ACCESSORY CODE	
R50 M 11	A010041 (A010018-A010083)	06.01.10	82,6 mm

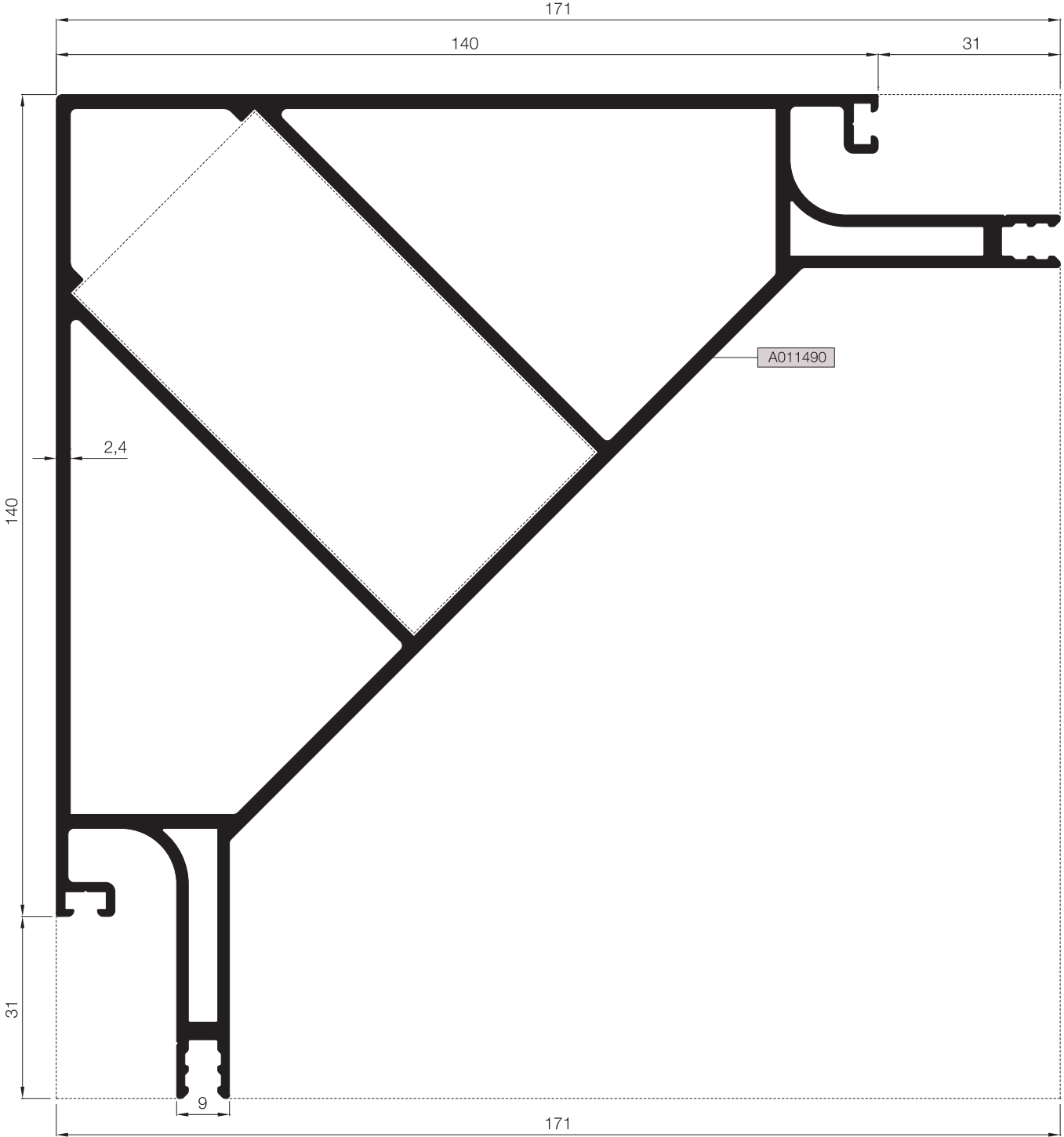
DÜŞEY PROFİLLER  
MULLION PROFILES

R50

KOD / CODE	AĞIRLIK (kg/m) / WEIGHT	Jxx cm <sup>4</sup>	Jyy cm <sup>4</sup>	Wx cm <sup>3</sup>	Wy cm <sup>3</sup>	L m
R50 M 30	5,200	466,584	466,584	41,390	41,389	6



R50 M 30



Nr	DÜŞEY BAĞLANTI PROFİLİ / MULLION CONNECTION PROFILE			KESİM ÖLÇÜSÜ CUTTING SIZE
	PROFİL KODU / PROFILE CODE	AKSESUAR KODU / ACCESSORY CODE		
R50 M 30	A011490 (A010018-A010083)	06.01.23		82,2 mm

01

02

03

04

05

06

07

08

09

10

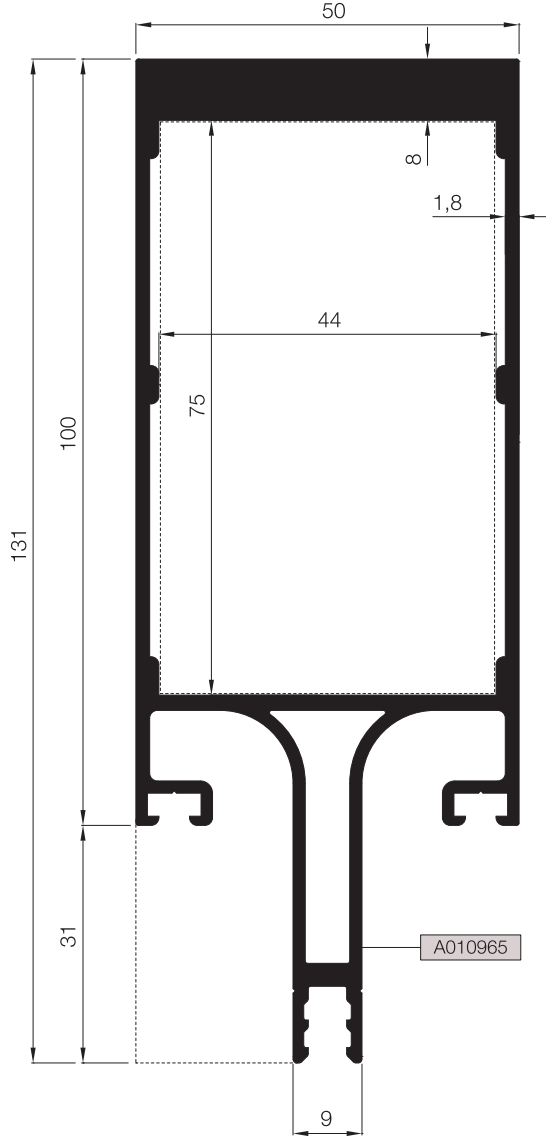
# DÜŞEY PROFİLLER

## MULLION PROFILES

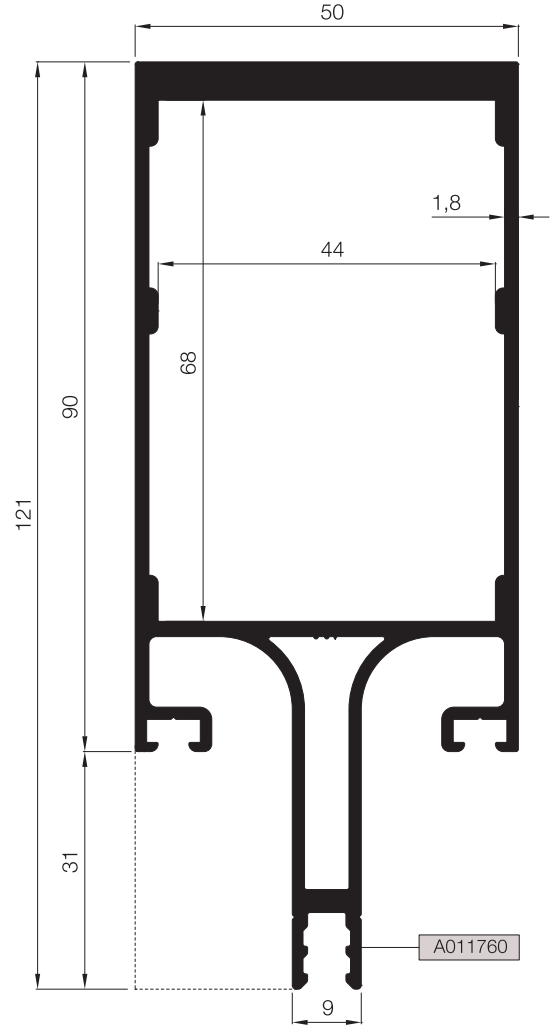
# R50

KOD / CODE	AĞIRLIK (kg/m) / WEIGHT	Jxx cm <sup>4</sup>	Jyy cm <sup>4</sup>	Wx cm <sup>3</sup>	Wy cm <sup>3</sup>	L m	
R50 M 19	2,915	193,445	32,734	23,347	13,093	6	
R50 M 35	2,459	133,094	28,510	18,459	11,404	6	

### R50 M 19



### R50 M 35



Nr	DÜŞEY BAĞLANTI PROFİLİ / MULLION CONNECTION PROFILE				KESİM ÖLÇÜSÜ CUTTING SIZE
	PROFİL KODU / PROFILE CODE	AKSESUAR KODU / ACCESSORY CODE			
R50 M 19	A010965 (A010018-A010083)	06.01.16			74,5 mm
R50 M 35	A011760 (A010018-A010083)	06.01.31			67,5 mm



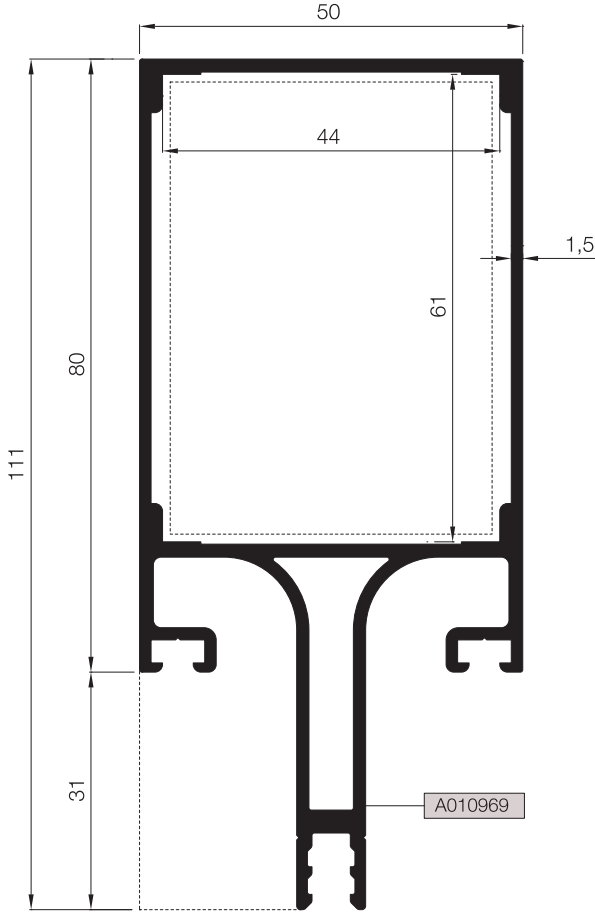
# DÜŞEY PROFİLLER

## MULLION PROFILES

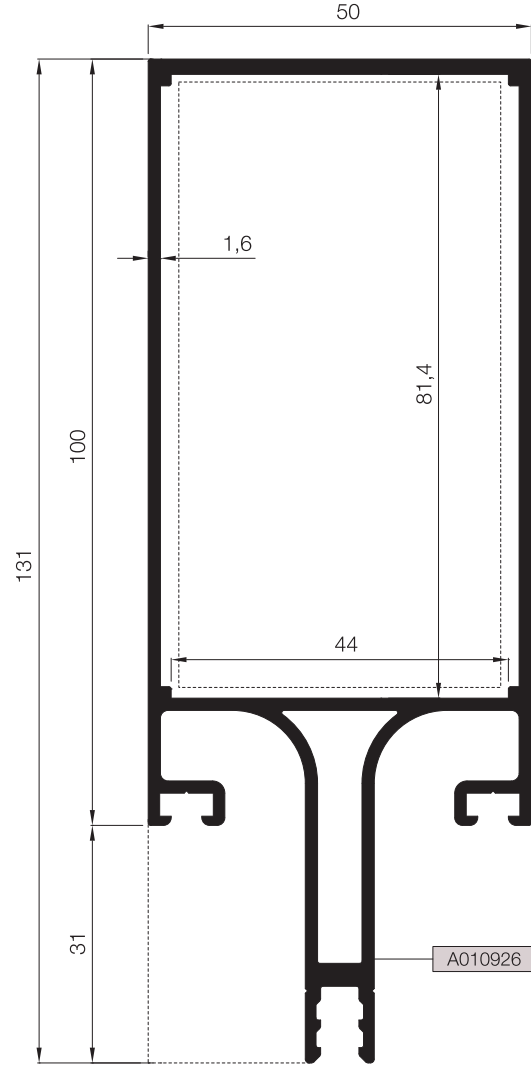
# R50

KOD / CODE	AĞIRLIK (kg/m) / WEIGHT	Jxx cm4	Jyy cm4	Wx cm3	Wy cm3	L m	
R50 M 20	1,796	71,665	21,192	12,403	8,477	6	
R50 M 18	1,941	116,818	24,114	17,476	9,646	6	

### R50 M 20



### R50 M 18



Nr	DÜŞEY BAĞLANTI PROFİLİ / MULLION CONNECTION PROFILE				KESİM ÖLÇÜSÜ CUTTING SIZE
	PROFİL KODU / PROFILE CODE	AKSESUAR KODU / ACCESSORY CODE			
R50 M 20	A010969 (A010018-A010083)	06.01.01			60,5 mm
R50 M 18	A010926 (A010018-A010083)	06.01.12			80,9 mm

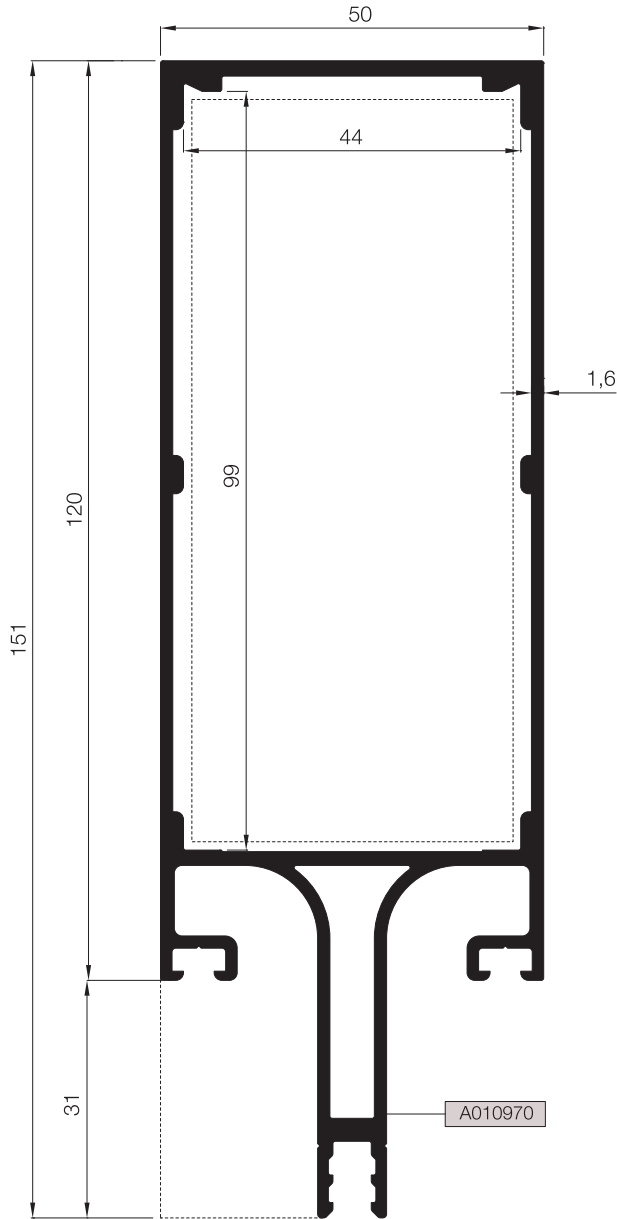
# DÜŞEY PROFİLLER

## MULLION PROFILES

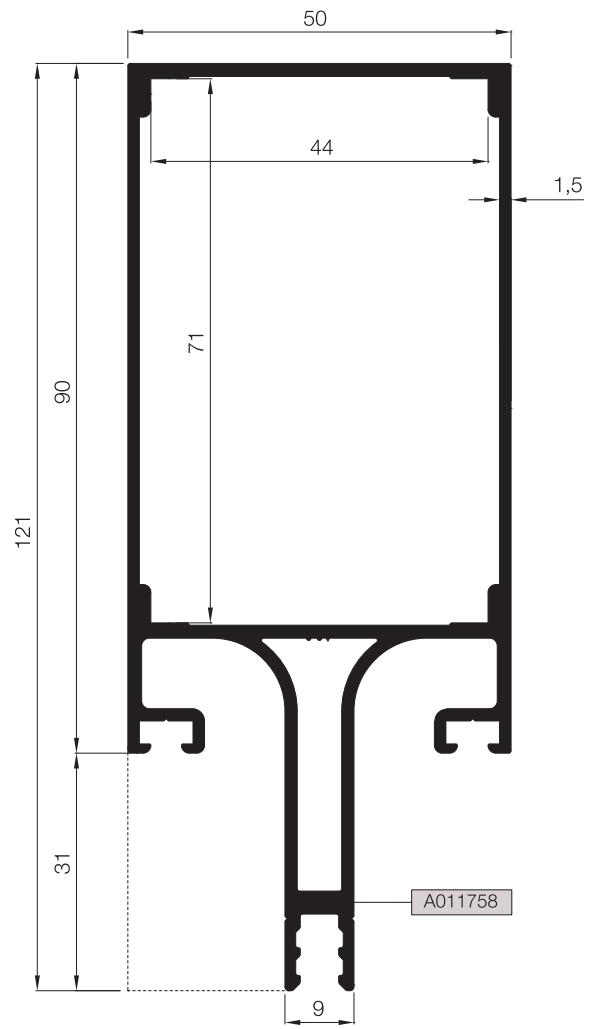
# R50

KOD / CODE	AĞIRLIK (kg/m) / WEIGHT	Jxx cm4	Jyy cm4	Wx cm3	Wy cm3	L m	
R50 M 21	2,306	193,516	30,931	24,920	12,373	6	
R50 M 34	1,871	91,933	22,880	18,240	9,152	6	

### R50 M 21



### R50 M 34



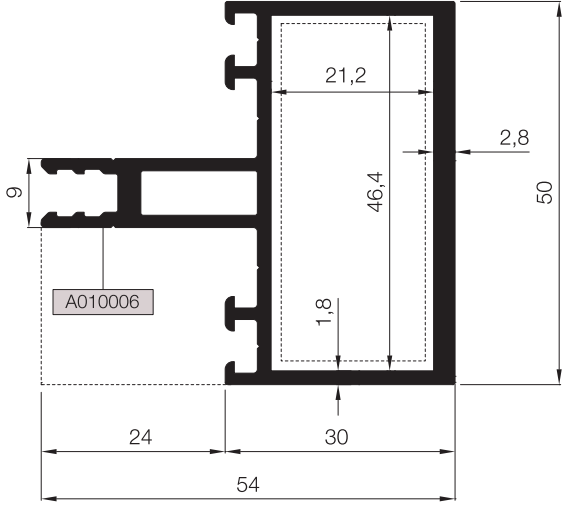
Nr	DÜŞEY BAĞLANTI PROFİLİ / MULLION CONNECTION PROFILE				KESİM ÖLÇÜSÜ CUTTING SIZE
	PROFİL KODU / PROFILE CODE	AKSESUAR KODU / ACCESSORY CODE			
R50 M 21	A010970 (A010018-A010083)	06.01.03			98,5 mm
R50 M 34	A011758 (A010018-A010083)	06.01.30			70,5 mm

# YATAY PROFİLLER TRANSOM PROFILES

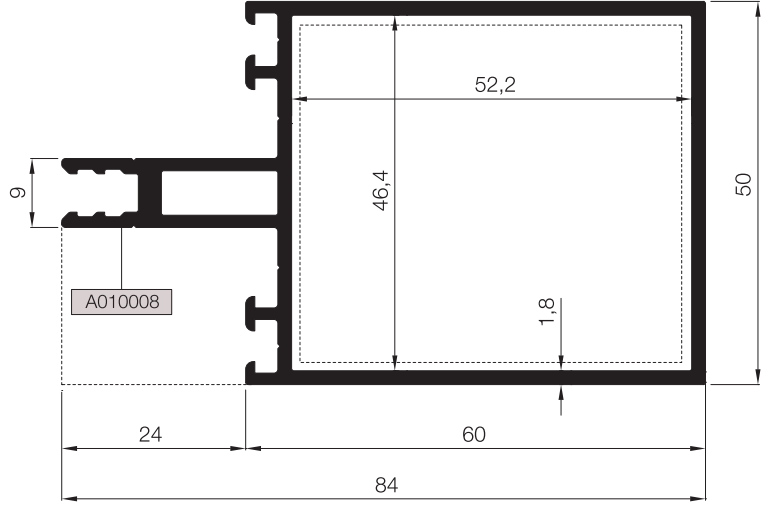
# R50

KOD / CODE	AĞIRLIK (kg/m) / WEIGHT	Jxx cm4	Jyy cm4	Wx cm3	Wy cm3	L m	
R50 T 01	1,237	11,063	10,073	3,221	4,029	6	
R50 T 02	1,288	23,948	14,088	5,890	5,635	6	
R50 T 03	1,384	34,565	16,180	7,683	6,472	6	
R50 T 19	1,485	27,084	17,928	5,819	7,171	6	

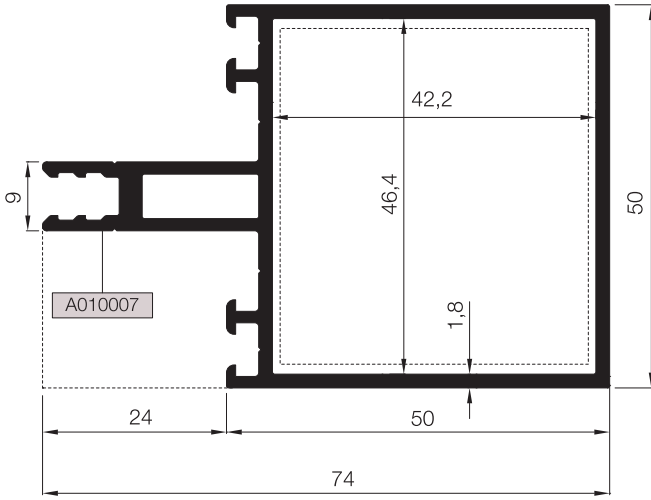
### R50 T 01



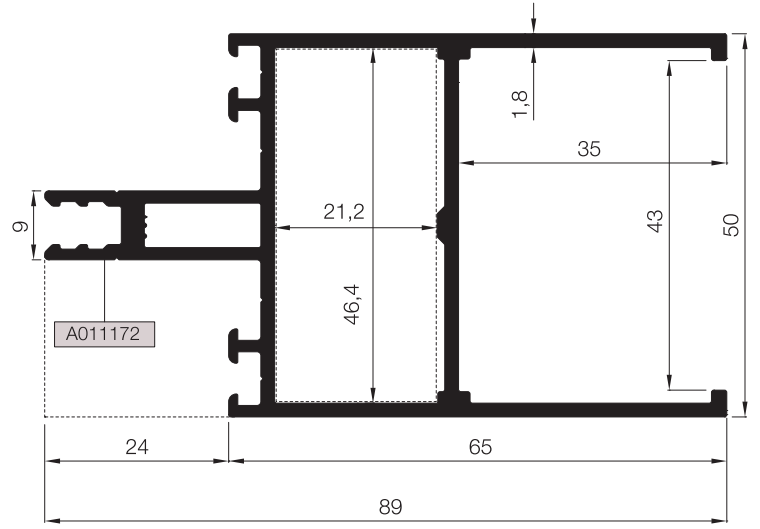
### R50 T 03



### R50 T 02



### R50 T 19



Nr	DÜŞEY BAĞLANTI PROFİLİ / MULLION CONNECTION PROFILE					KESİM ÖLÇÜSÜ CUTTING SIZE
	PROFİL KODU / PROFILE CODE	AKSESUAR KODU / ACCESSORY CODE				
R50 T 01	A010006	(A010026)		05.02.01		20,7 mm
R50 T 02	A010007	(A010026)		05.02.02		41,9 mm
R50 T 03	A010008	(A010026)		05.02.03		51,9 mm

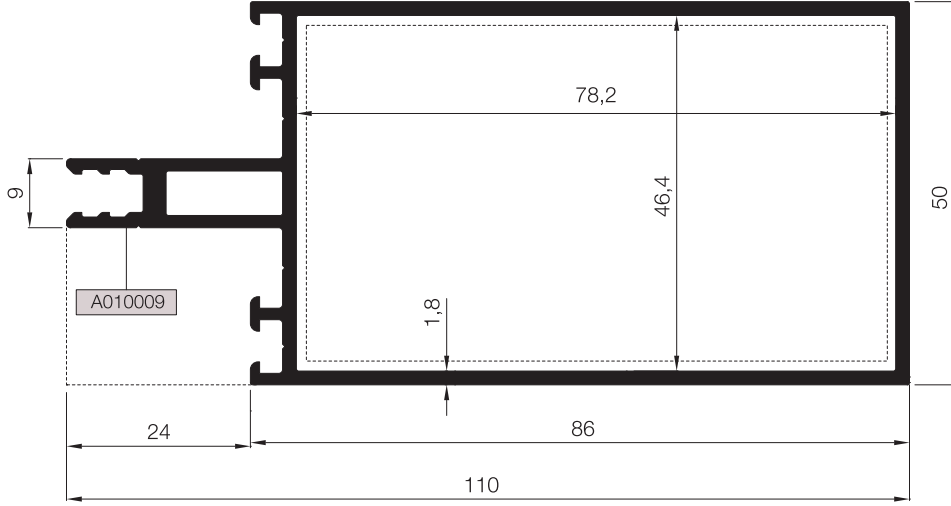
Nr	DÜŞEY BAĞLANTI PROFİLİ / MULLION CONNECTION PROFILE					KESİM ÖLÇÜSÜ CUTTING SIZE
	PROFİL KODU / PROFILE CODE	AKSESUAR KODU / ACCESSORY CODE				
R50 T 01	A010006	(A010756) (A010757) EPDM		05.03.01 05.03.11 03.04.07.T01		20,9 mm 20,9 mm 23,0 mm
R50 T 02	A010007	(A010756) (A010757) EPDM		05.03.02 05.03.12 03.04.07.T02		40,9 mm 41,9 mm 45,0 mm
R50 T 03	A010008	(A010756) (A010757) EPDM		05.03.03 05.03.13 03.04.07.T03		50,9 mm 51,9 mm 55,0 mm

# YATAY PROFİLLER TRANSOM PROFILES

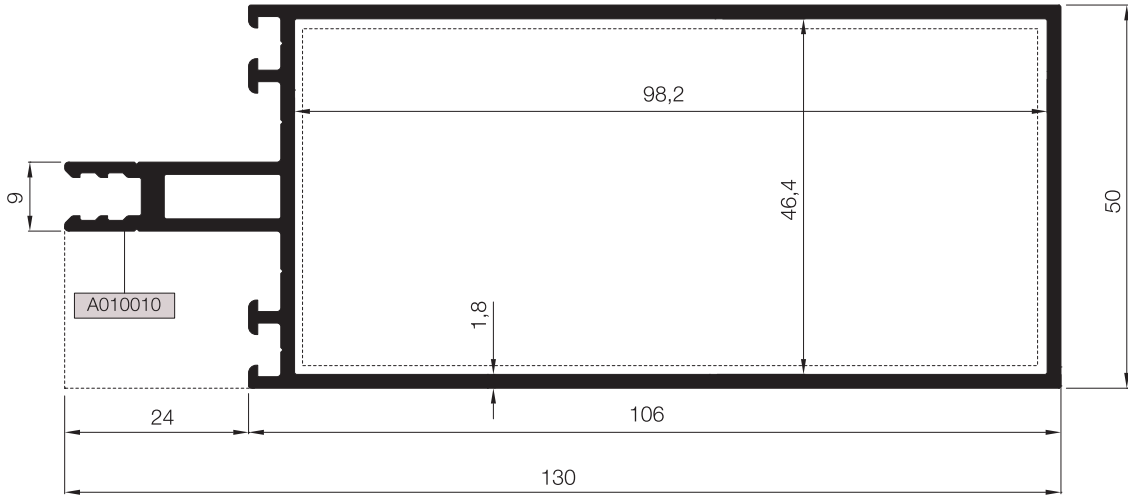
# R50

KOD / CODE	AĞIRLIK (kg/m) / WEIGHT	Jxx cm4	Jyy cm4	Wx cm3	Wy cm3	L m	
R50 T 04	1,640	74,423	21,619	13,145	8,648	6	
R50 T 05	1,834	118,723	25,803	18,037	10,321	6	

### R50 T 04



### R50 T 05



Nr	DÜŞEY BAĞLANTI PROFİLİ / MULLION CONNECTION PROFILE					KESİM ÖLÇÜSÜ CUTTING SIZE
	PROFİL KODU / PROFILE CODE	AKSESUAR KODU / ACCESSORY CODE				
R50 T 04	A010009	(A010026)		05.02.04		77,8 mm
R50 T 05	A010010	(A010026)		05.02.05		97,8 mm

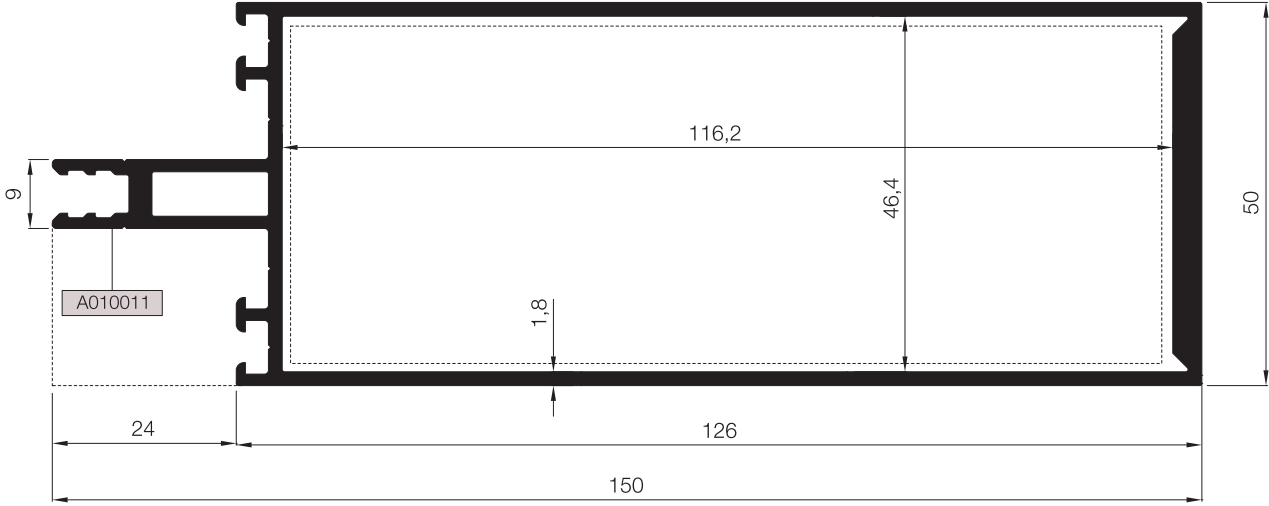
Nr	DÜŞEY BAĞLANTI PROFİLİ / MULLION CONNECTION PROFILE					KESİM ÖLÇÜSÜ CUTTING SIZE
	PROFİL KODU / PROFILE CODE	AKSESUAR KODU / ACCESSORY CODE				
R50 T 04	A010009	(A010756) (A010757) EPDM		05.03.04 05.03.14 03.04.07.T04		76,9 mm 77,8 mm 81,0 mm
R50 T 05	A010010	(A010756) (A010757) EPDM		05.03.05 05.03.15 03.04.07.T05		96,9 mm 97,8 mm 101,0 mm

# YATAY PROFİLLER TRANSOM PROFILES

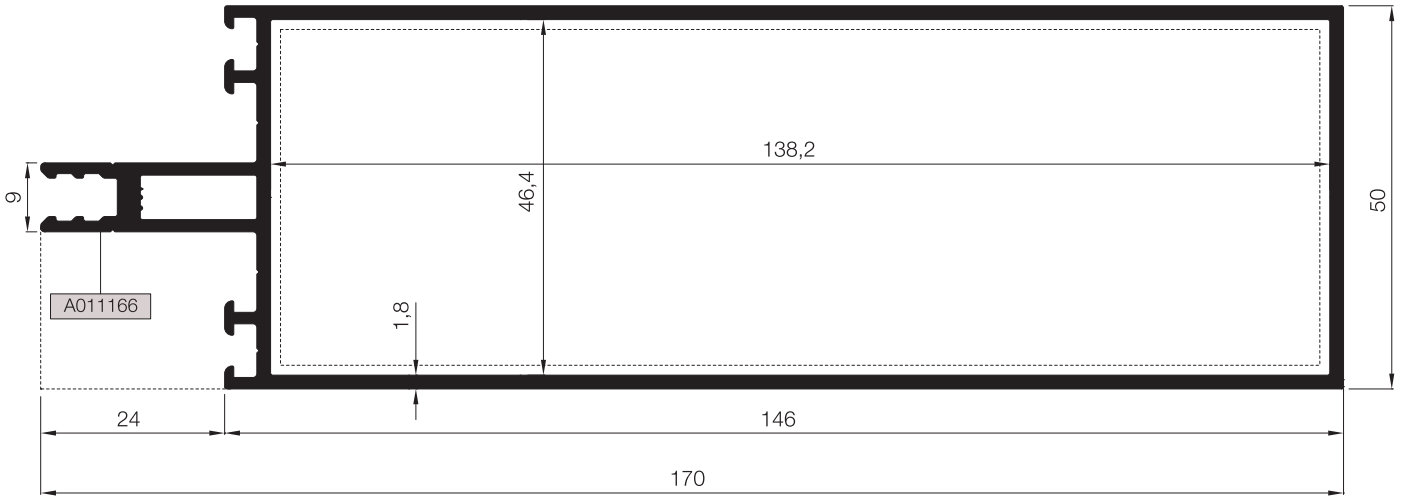
# R50

KOD / CODE	AĞIRLIK (kg/m) / WEIGHT	Jxx cm4	Jyy cm4	Wx cm3	Wy cm3	L m	
R50 T 06	2,266	216,994	31,366	26,244	12,547	6	
R50 T 17	2,227	249,355	34,169	29,207	13,667	6	

## R50 T 06



## R50 T 17



Nr	DÜŞEY BAĞLANTI PROFİLİ / MULLION CONNECTION PROFILE					KESİM ÖLÇÜSÜ CUTTING SIZE
	PROFİL KODU / PROFILE CODE	AKSESUAR KODU / ACCESSORY CODE				
R50 T 06	A010011	(A010026)		05.02.06		115,8 mm
R50 T 17	A011166	(A010026)		05.02.09		137,8 mm

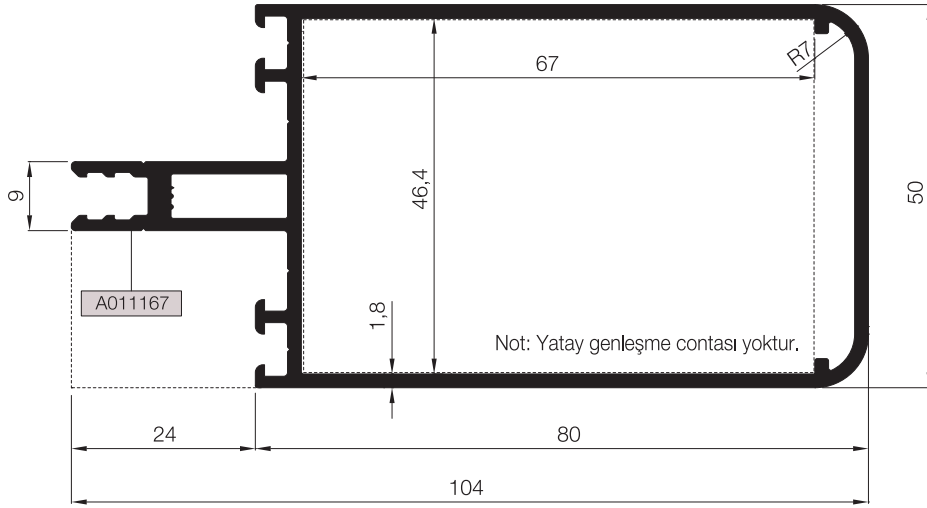
Nr	DÜŞEY BAĞLANTI PROFİLİ / MULLION CONNECTION PROFILE					KESİM ÖLÇÜSÜ CUTTING SIZE
	PROFİL KODU / PROFILE CODE	AKSESUAR KODU / ACCESSORY CODE				
R50 T 06	A010011	(A010756) (A010757) EPDM		05.03.06 05.03.16 03.04.07.T06		116,9 mm 115,8 mm 120,0 mm

# YATAY PROFİLLER TRANSOM PROFILES

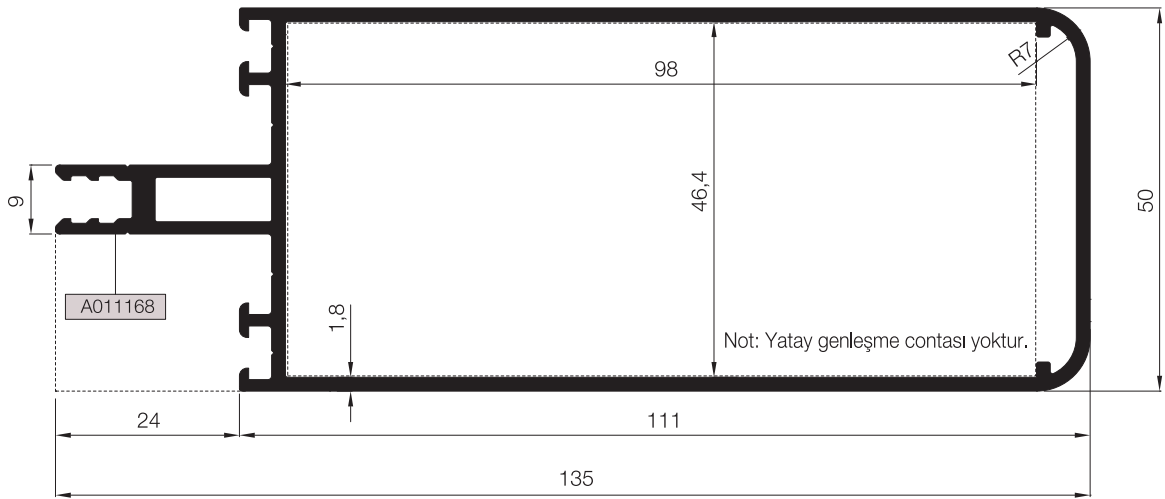
# R50

KOD / CODE	AĞIRLIK (kg/m) / WEIGHT	Jxx cm4	Jyy cm4	Wx cm3	Wy cm3	L m	
R50 T 15	1,576	62,543	20,106	11,674	8,043	6	
R50 T 16	1,878	130,243	26,591	19,207	10,637	6	

## R50 T 15



## R50 T 16



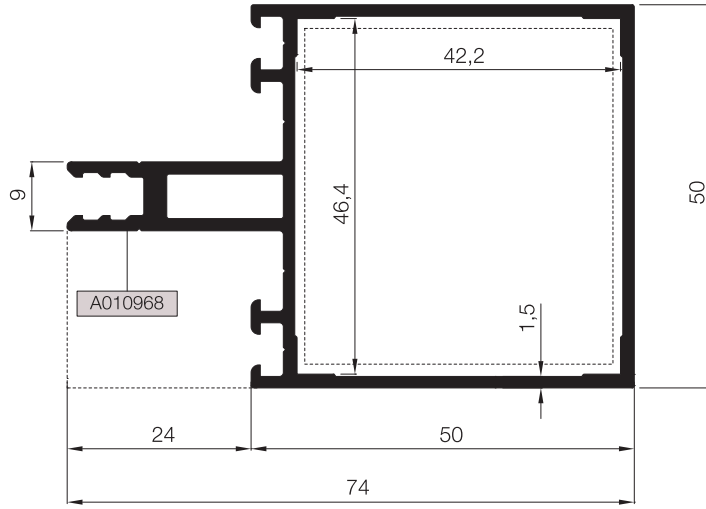
Nr	DÜŞEY BAĞLANTI PROFİLİ / MULLION CONNECTION PROFILE					KESİM ÖLÇÜSÜ CUTTING SIZE
	PROFİL KODU / PROFILE CODE	AKSESUAR KODU / ACCESSORY CODE				
R50 T 15	A011167 (A010026)	05.02.07			66,6 mm	
R50 T 16	A011168 (A010026)	05.02.08			97,6 mm	

# YATAY PROFİLLER TRANSOM PROFILES

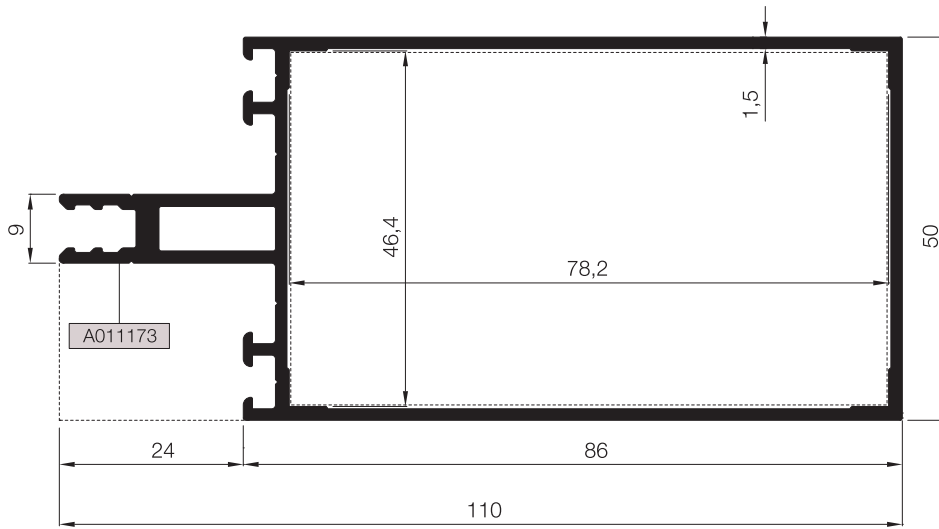
# R50

KOD / CODE	AĞIRLIK (kg/m) / WEIGHT	Jxx cm <sup>4</sup>	Jyy cm <sup>4</sup>	Wx cm <sup>3</sup>	Wy cm <sup>3</sup>	L m	
R50 T 13	1,178	12,783	22,292	3,223	8,917	6	
R50 T 18	1,470	68,386	19,134	12,401	7,654	6	

### R50 T 13



### R50 T 18



Nr	DÜŞEY BAĞLANTI PROFİLİ / MULLION CONNECTION PROFILE					KESİM ÖLÇÜSÜ CUTTING SIZE
	PROFİL KODU / PROFILE CODE	AKSESUAR KODU / ACCESSORY CODE				
R50 T 13	A010968	(A010026)		05.02.02		41,9 mm
R50 T 18	A011173	(A010026)		05.02.04		77,8 mm

Nr	DÜŞEY BAĞLANTI PROFİLİ / MULLION CONNECTION PROFILE					KESİM ÖLÇÜSÜ CUTTING SIZE
	PROFİL KODU / PROFILE CODE	AKSESUAR KODU / ACCESSORY CODE				
R50 T 13	A010968	(A010756) (A010757) EPDM		05.03.02 05.03.12 03.04.07.T02		40,9 mm 41,9 mm 45,0 mm
R50 T 18	A011173	(A010756) (A010757) EPDM		05.03.04 05.03.14 03.04.07.T04		76,9 mm 77,8 mm 81,0 mm

01

02

03

04

05

06

07

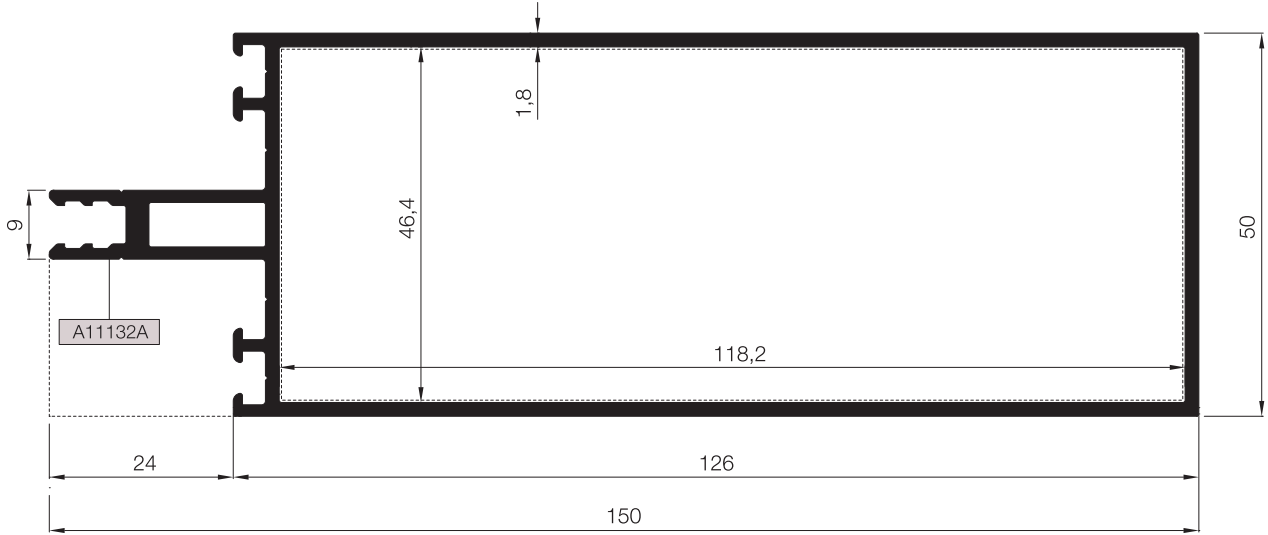
08

09

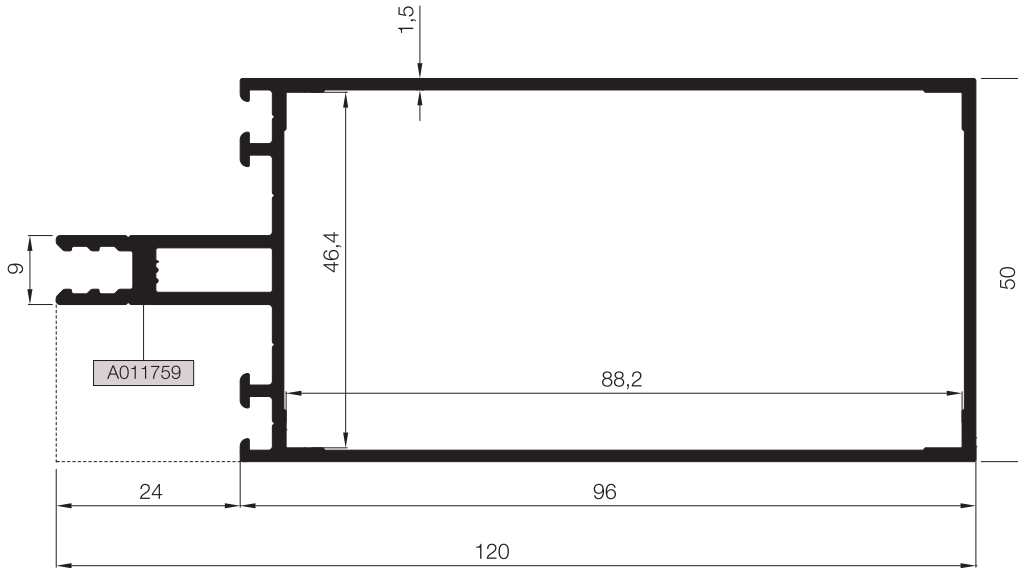
10

KOD / CODE	AĞIRLIK (kg/m) / WEIGHT	Jxx cm4	Jyy cm4	Wx cm3	Wy cm3	L m	
R50 T 14	2,031	176,607	29,982	23,498	11,993	6	
R50 T 24	1,551	87,042	20,898	15,011	8,359	6	

R50 T 14



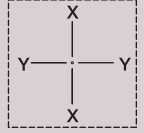
R50 T 24



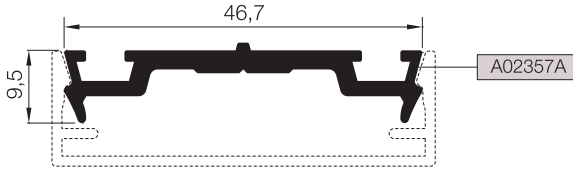
Nr	DÜŞEY BAĞLANTI PROFİLİ / MULLION CONNECTION PROFILE					KESİM ÖLÇÜSÜ CUTTING SIZE
	PROFİL KODU / PROFILE CODE	AKSESUAR KODU / ACCESSORY CODE				
R50 T 14	A011132	(A010026)		05.02.10		117,7 mm
R50 T 24	A011759	(A010026)		05.02.15		87,7 mm



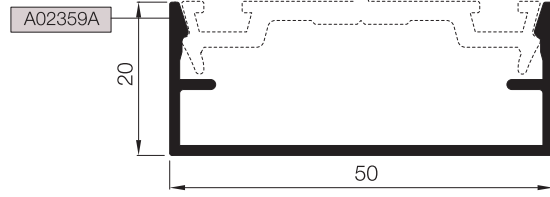
KOD / CODE	AĞIRLIK (kg/m) / WEIGHT	L m	KOD / CODE	AĞIRLIK (kg/m) / WEIGHT	L m
R50 P 01	0,428	6	R50 P 20	0,248	6
R50 P 02	0,335	6	R50 P 27	0,707	6
R50 P 03	0,360	6	R50 P 29	0,424	6
R50 P 15	0,323	6	R50 P 19	0,419	6
R50 P 16	0,268	6			



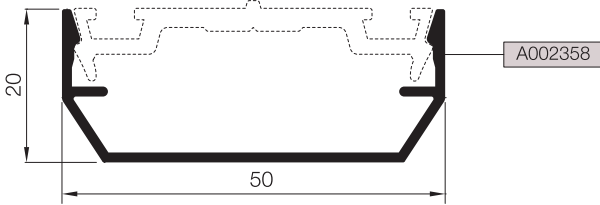
R50 P 01



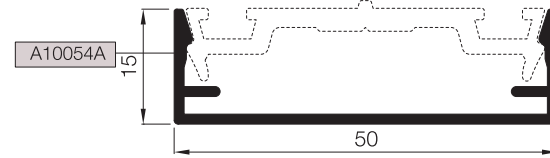
R50 P 03



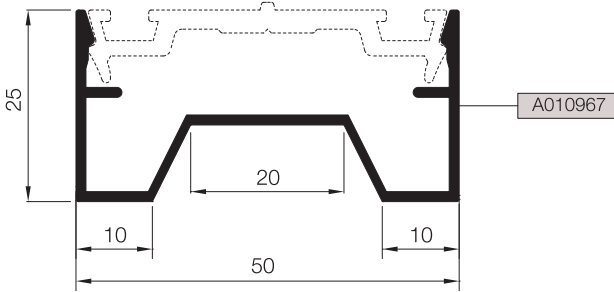
R50 P 02



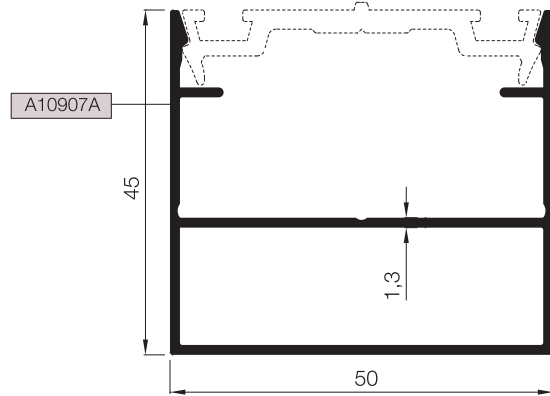
R50 P 15



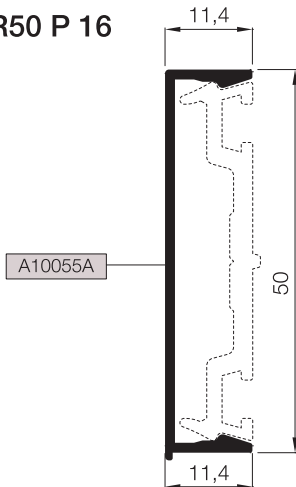
R50 P 29



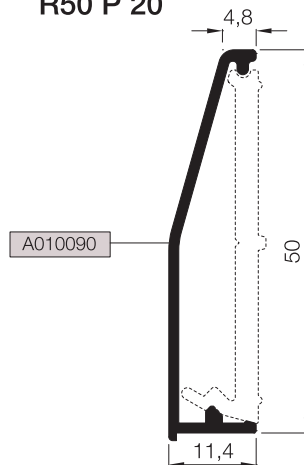
R50 P 27



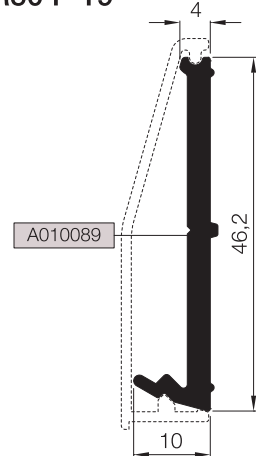
R50 P 16



R50 P 20



R50 P 19



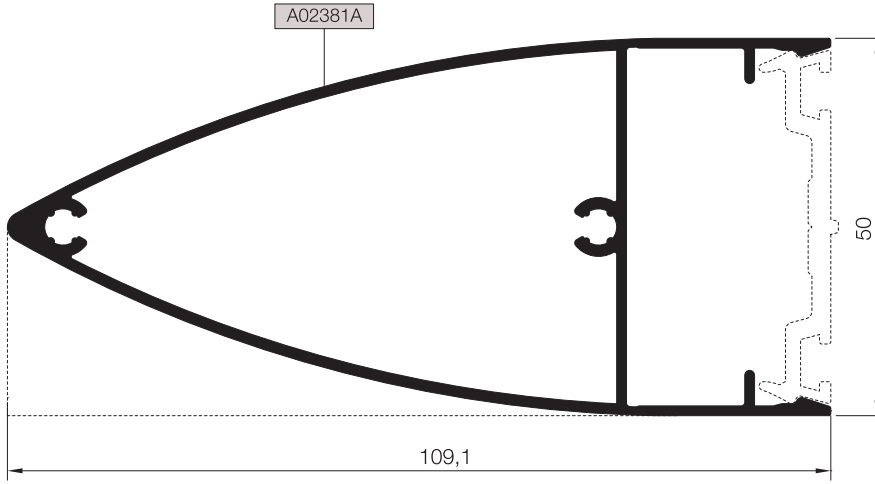
# BASKI KAPAK PROFİLLERİ

## CAP PROFILES

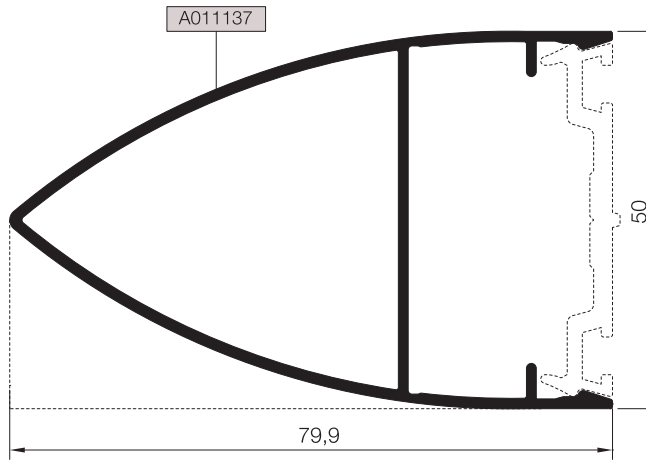
# R50

KOD / CODE	AĞIRLIK (kg/m) / WEIGHT	L m	
R50 P 06	1,179	6	
R50 P 32	0,850	6	
R50 P 38	1,365	6	

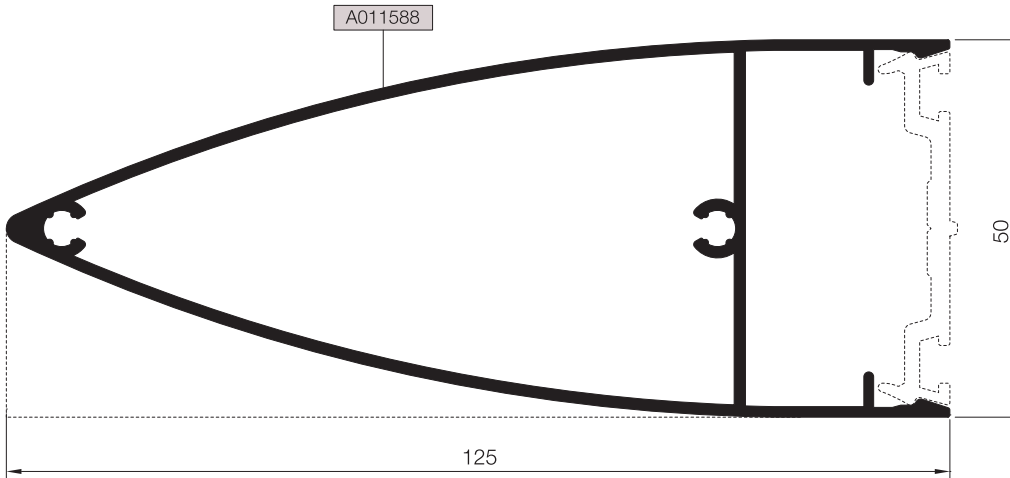
R50 P 06



R50 P 32



R50 P 38



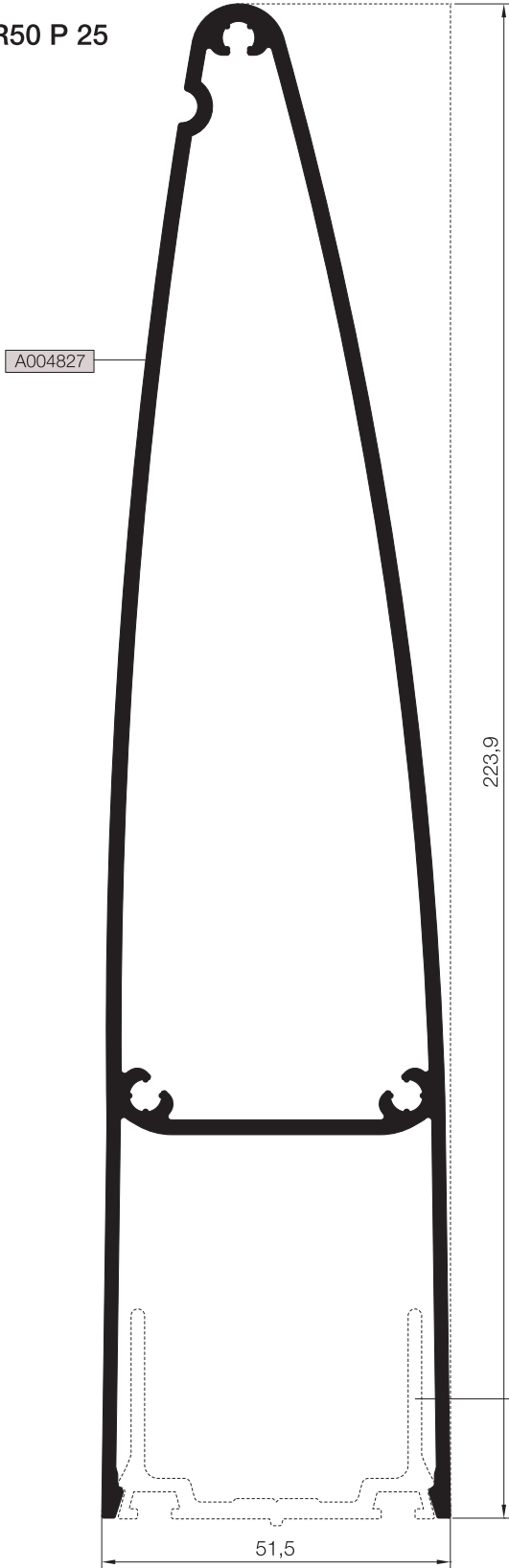
# BASKI KAPAK PROFİLLERİ

## CAP PROFILES

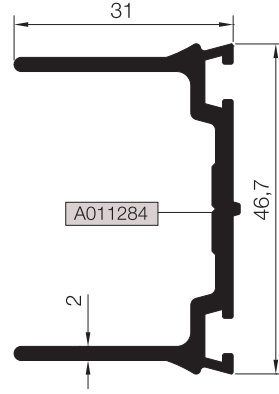
# R50

KOD / CODE	AĞIRLIK (kg/m) / WEIGHT	L m	
R50 P 34	0,686	6	
R50 P 25	3,125	6	

R50 P 25



R50 P 34



R50 P 34

01

02

03

04

05

06

07

08

09

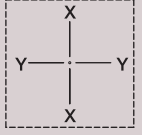
10

# BASKI KAPAK PROFİLLERİ

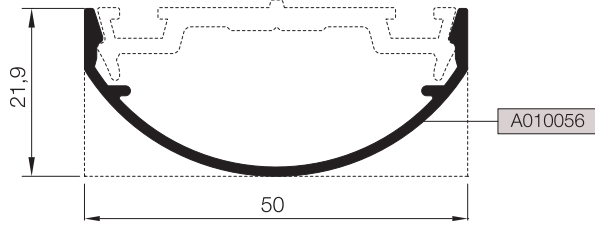
## CAP PROFILES

# R50

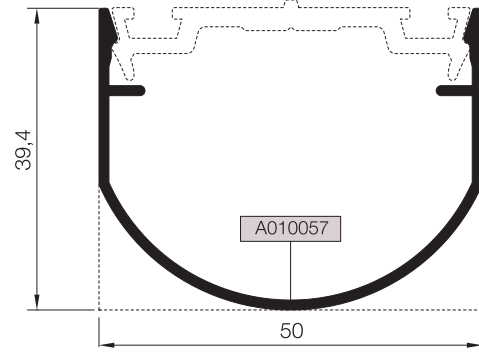
KOD / CODE	AĞIRLIK (kg/m) / WEIGHT	L m	KOD / CODE	AĞIRLIK (kg/m) / WEIGHT	L m
R50 P 31	1,212	6	R50 P 11	0,526	6
R50 P 17	0,286	6	R50 P 12	0,704	6
R50 P 18	0,428	6			



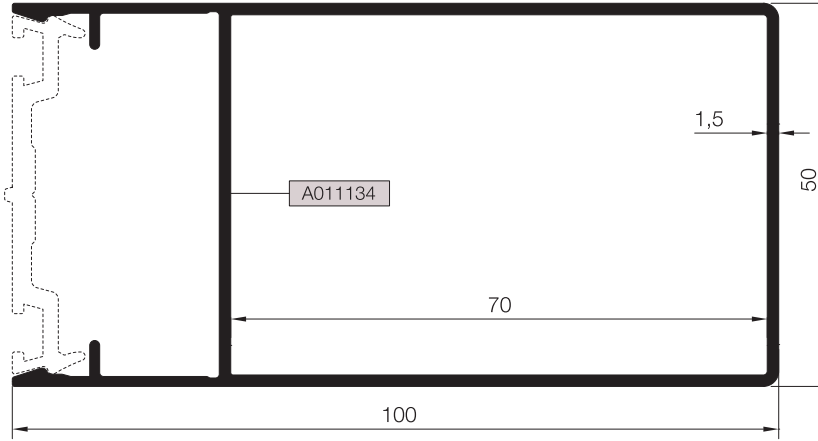
R50 P 17



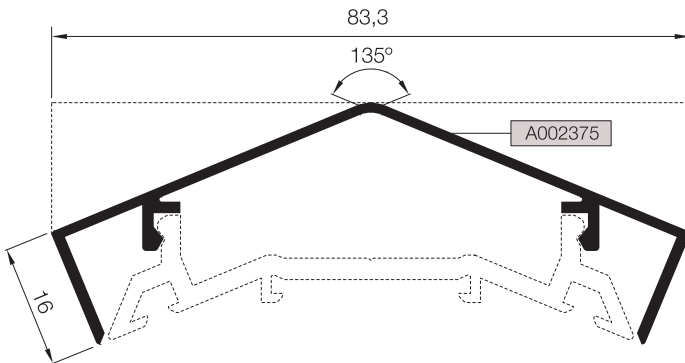
R50 P 18



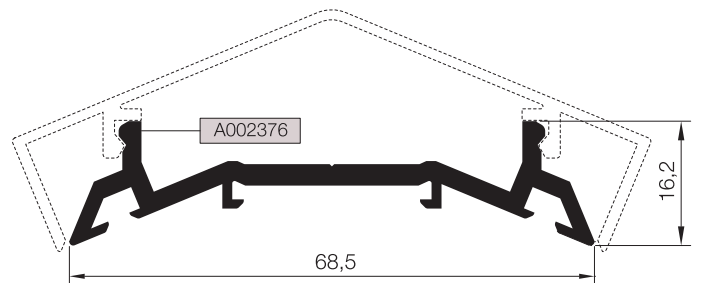
R50 P 31



R50 P 11



R50 P 12

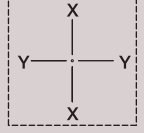


# BASKI KAPAK PROFİLLERİ

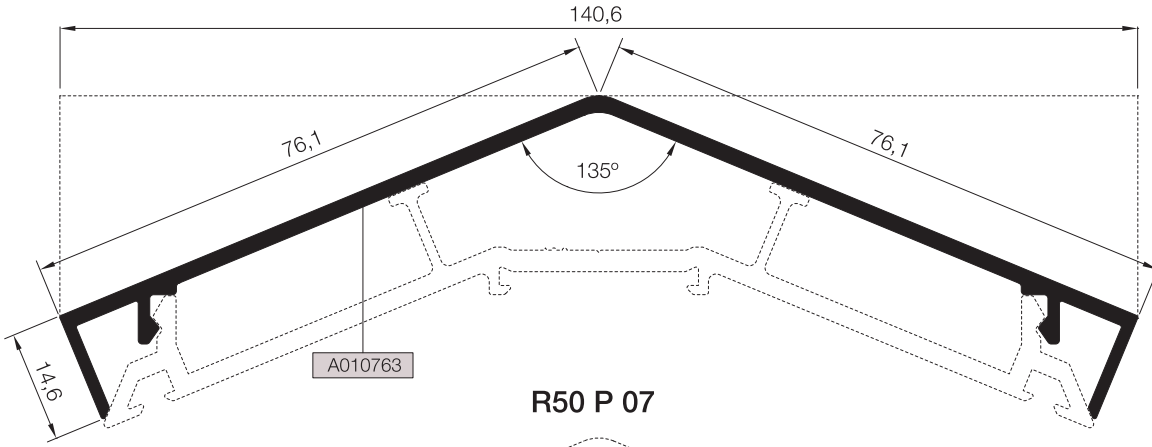
## CAP PROFILES

# R50

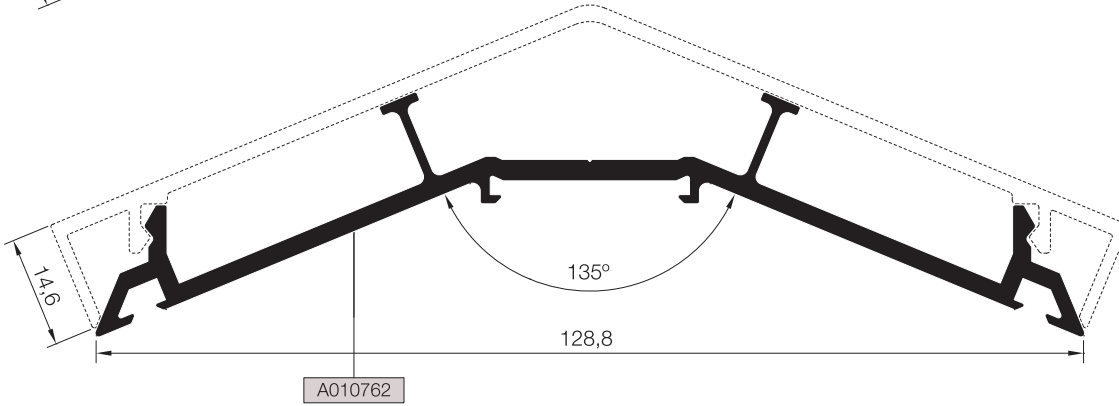
KOD / CODE	AĞIRLIK (kg/m) / WEIGHT	L m	KOD / CODE	AĞIRLIK (kg/m) / WEIGHT	L m
R50 P 08	0,994	6	R50 P 21	0,872	6
R50 P 07	1,270	6			
R50 P 22	0,580	6			



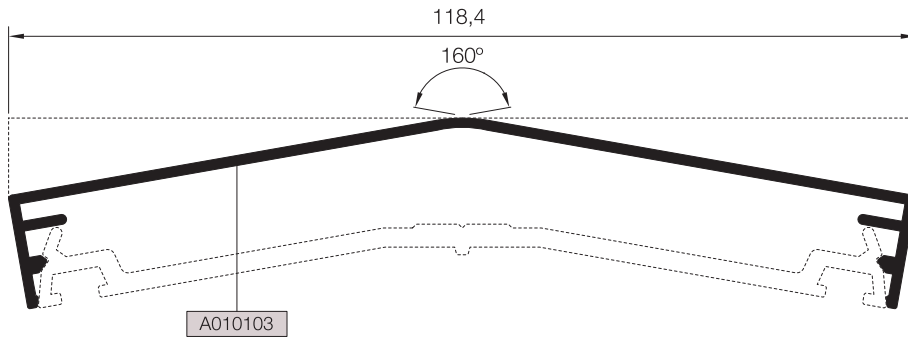
**R50 P 08**



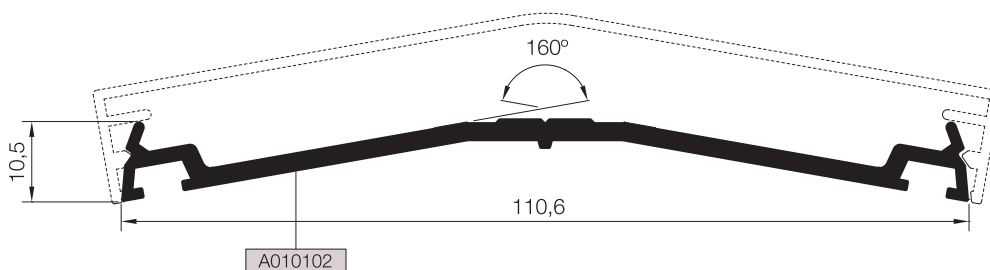
**R50 P 07**



**R50 P 22**



**R50 P 21**



01

02

03

04

05

06

07

08

09

10

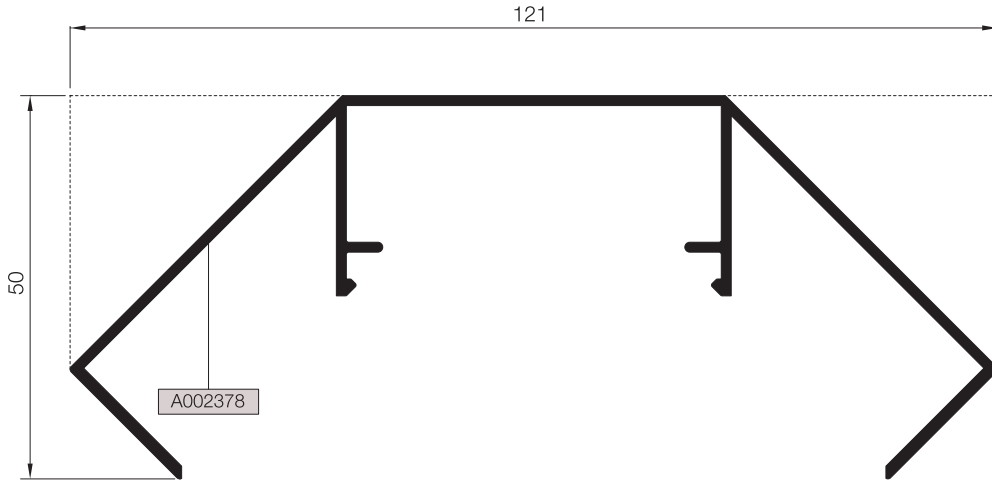
# BASKI KAPAK PROFİLLERİ

## CAP PROFILES

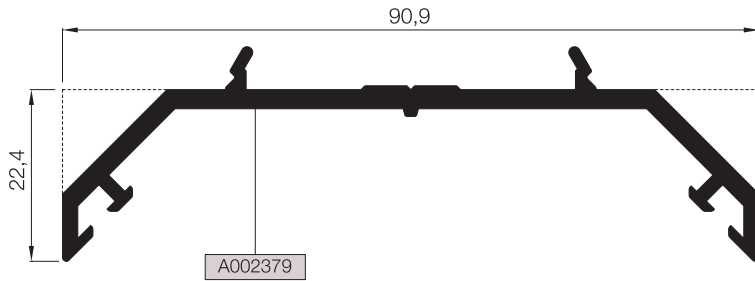
# R50

KOD / CODE	AĞIRLIK (kg/m) / WEIGHT	L m	
R50 P 13	0,848	6	
R50 P 14	0,944	6	
R50 A 02	0,803	6	

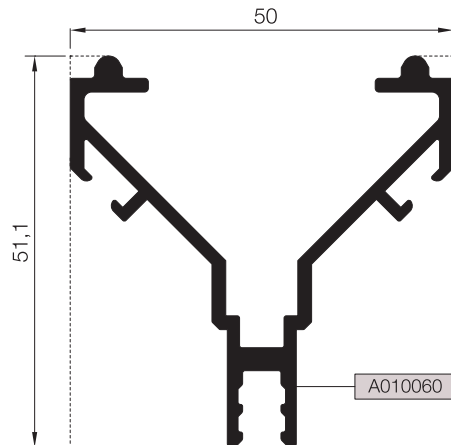
### R50 P 13



### R50 P 14



### R50 A 02



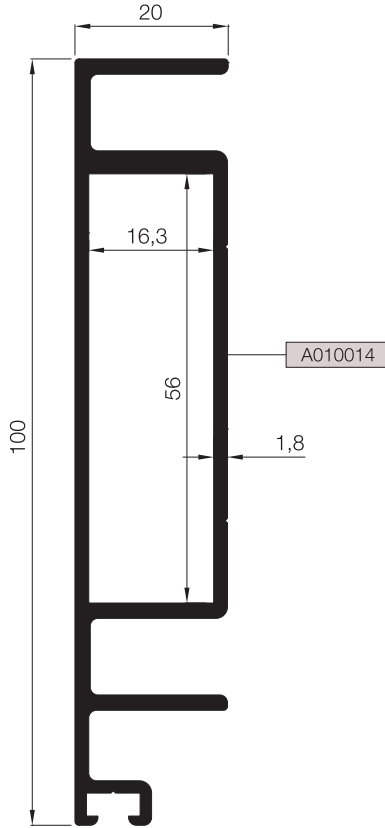
# DİLATASYON PROFİLLERİ

## DILATATION PROFILES

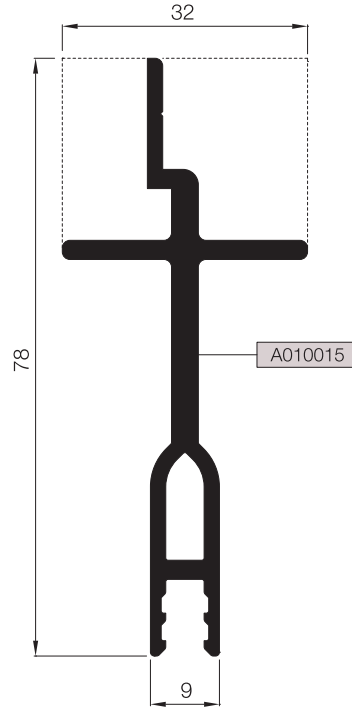
# R50

KOD / CODE	AĞIRLIK (kg/m) / WEIGHT	Jxx cm <sup>4</sup>	Jyy cm <sup>4</sup>	L m	
R50 C 01	1,268	44,462	2,714	6	
R50 C 02	0,960	14,529	0,849	6	
R50 C 03	0,495	1,299	0,852	6	

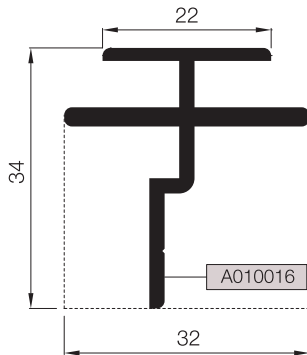
R50 C 01



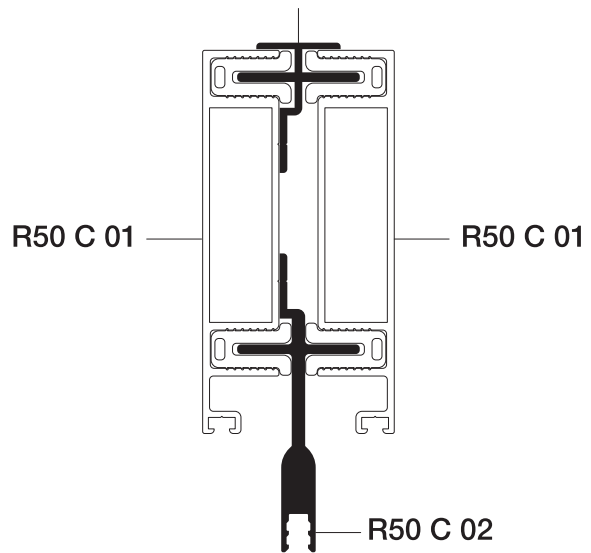
R50 C 02



R50 C 03



R50 C 03



Ölçek/Scale: 1/2

01

02

03

04

05

06

07

08

09

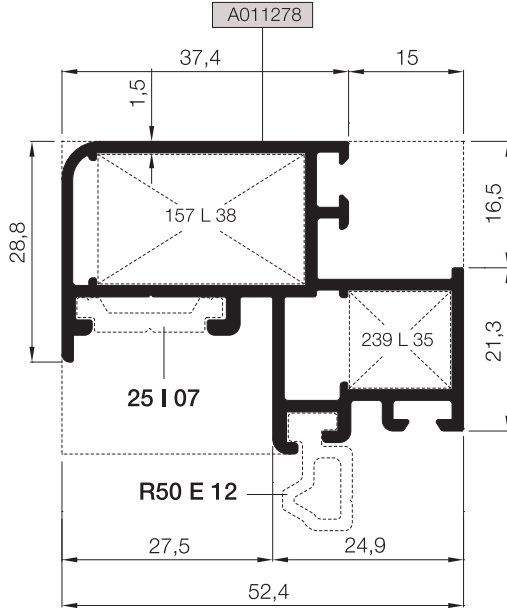
10

# KASET PROFİLLERİ VENT PROFILES

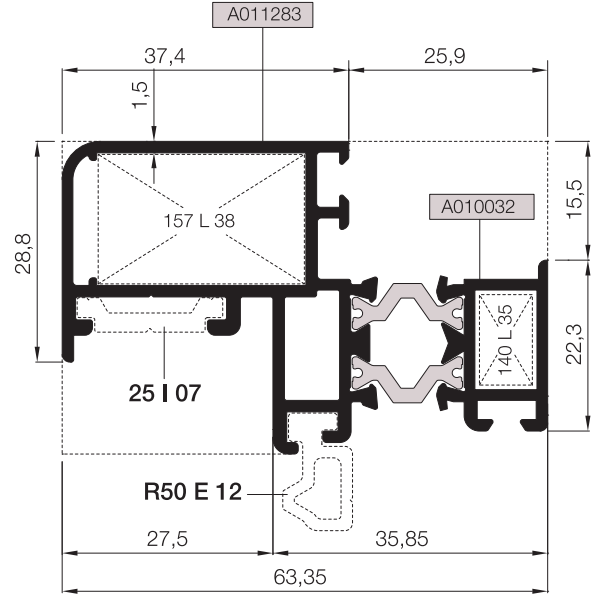
# R50

KOD / CODE	AĞIRLIK (kg/m) / WEIGHT	Jxx cm <sup>4</sup>	Jyy cm <sup>4</sup>	L m	
R50 V 26	0,927	8,680	4,852	6	
AR50V27	1,223	10,872	5,245	6	
AR50V32	0,937	8,182	1,419	6	

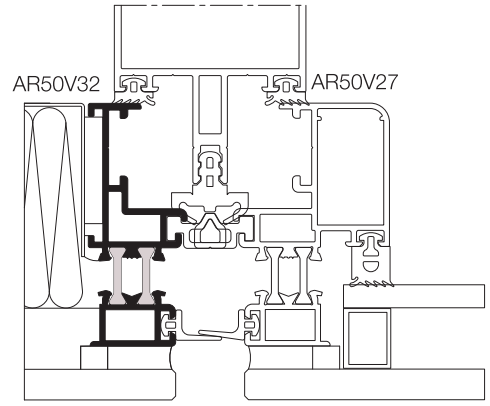
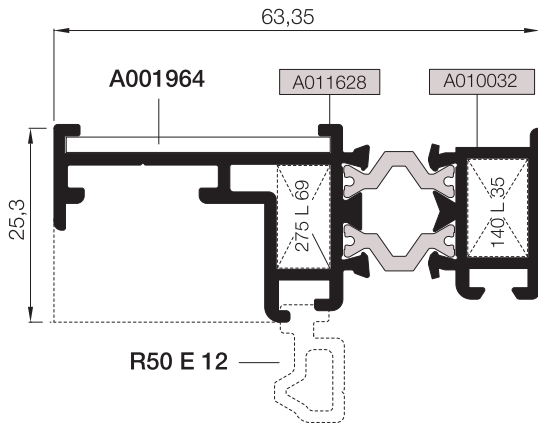
**R50 V 26\***



**AR50V27\***



**AR50V32\***  
(R50 V 27 ile)



Ölçek/Scale: 1/2

\*R50 V 26-AR50V27-AR50V32 KODLU PROFİLLER BONDING İŞLEMİNE UYGUN ÖZEL ELOKSALLI SİPARİŞ EDİLMELİDİR.  
THE PROFILES R50 V 26-AR50V27-AR50V32 MUST BE ORDERED WITH SPECIAL ANODIZED SUITABLE FOR BONDING PROCESS.

Nr		L m	KESİM ÖLÇÜSÜ CUTTING SIZE	AKS. KODU ACS. CODE
R50 V 26	A011278	25 L 38 (A002074)	27,0 mm	157 L 38
		25 L 35 (A010076)	13,8 mm	239 L 35
AR50V27	A011283	25 L 38 (A002074)	27,0 mm	157 L 38
		A010032	7,8 mm	140 L 35

Nr		L m	KESİM ÖLÇÜSÜ CUTTING SIZE	AKS. KODU ACS. CODE
AR50V32	A011628	25 L 69 (A011097)	6,8 mm	275 L 69
		A010032	7,8 mm	140 L 35



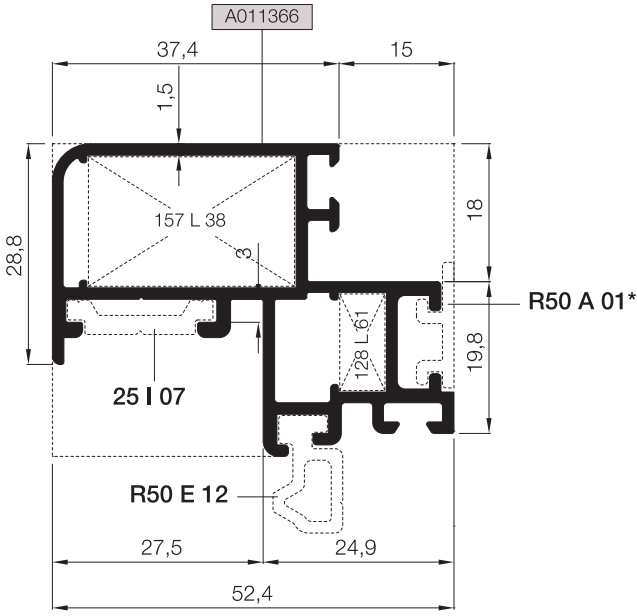
# KASET PROFİLLERİ

## VENT PROFILES

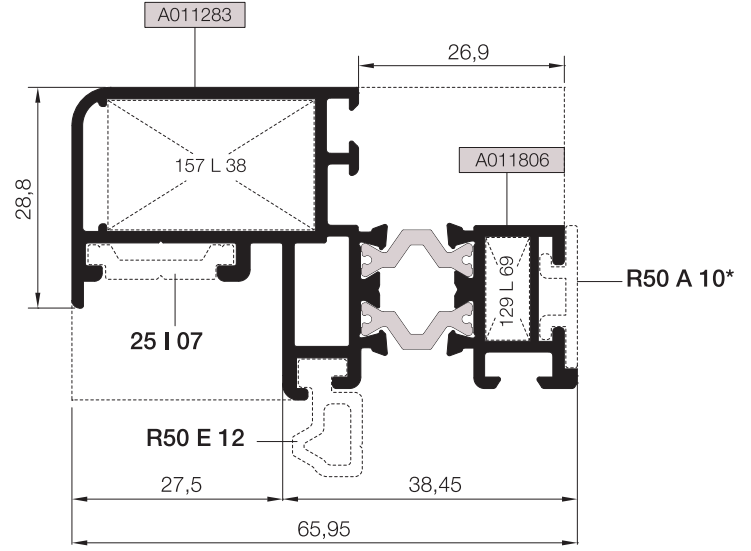
# R50

KOD / CODE	AĞIRLIK (kg/m) / WEIGHT	Jxx cm <sup>4</sup>	Jyy cm <sup>4</sup>	L m	
R50 V 28	0,940	8,277	4,915	6	
AR50V34	1,259	12,314	5,932	6	
AR50V35	0,985	5,870	1,065	6	

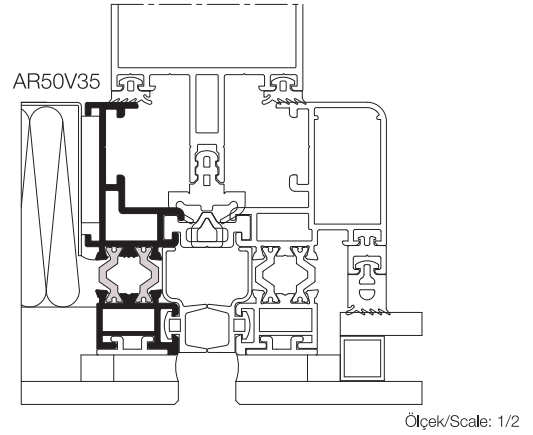
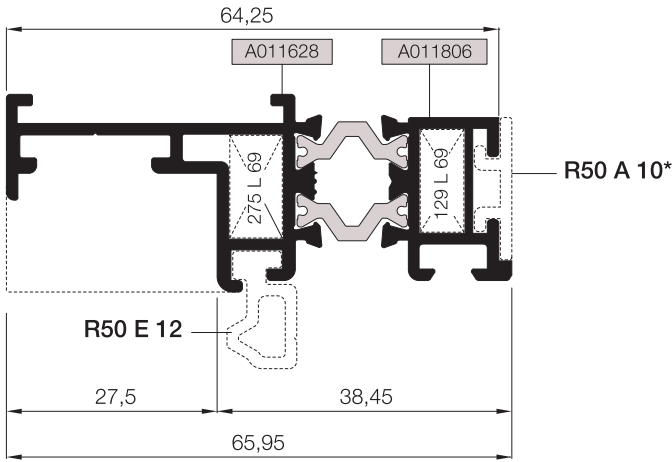
### R50 V 28



### AR50V34



### AR50V35



\*R50 A 01 - R50 A 10 KODLU PROFİLLER BONDING İŞLEMİNE UYGUN ÖZEL ELOKSALLI SİPARİŞ EDİLMELİDİR.  
THE PROFILES R50 A 01- R50 A 10 MUST BE ORDERED WITH SPECIAL ANODIZED SUITABLE FOR BONDING PROCESS.

Nr		L m	KESİM ÖLÇÜSÜ CUTTING SIZE	AKS. KODU ACS. CODE
R50 V 28	A011366	25 L 38 (A002074)	27,0 mm	157 L 38
		25 L 61 (A001034)	5,9 mm	128 L 61
AR50V34	A011283	25 L 38 (A002074)	27,0 mm	157 L 38
		A011806	25 L 69 (A011097)	5,7 mm

Nr		L m	KESİM ÖLÇÜSÜ CUTTING SIZE	AKS. KODU ACS. CODE
AR50V35	A011628	25 L 69 (A011097)	6,8 mm	275 L 69
		A011806	25 L 69 (A011097)	5,7 mm

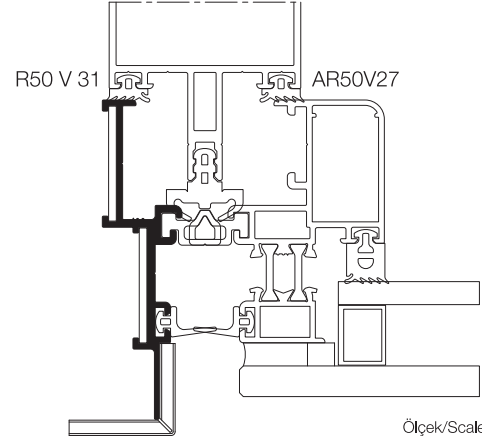
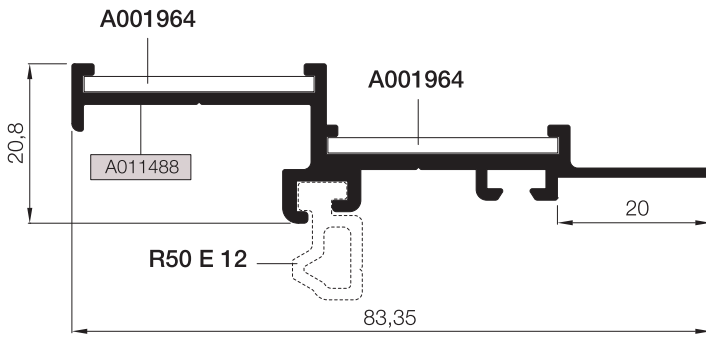
# KASET VE TESPİT PROFİLLERİ

## VENT & CONNECTION PROFILES

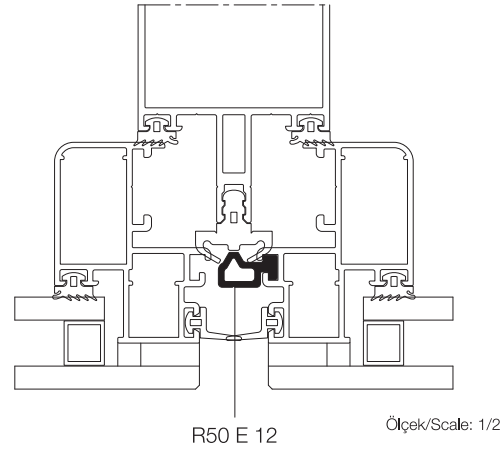
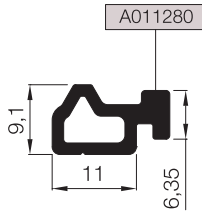
# R50

KOD / CODE	AĞIRLIK (kg/m) / WEIGHT	Jxx cm4	Jyy cm4	L m	
R50 V 31	0,641	10,176	0,584	6	
R50 E 12	0,189	-	-	6	

**R50 V 31**  
(R50 V 27 ile)



**R50 E 12\***



\*R50 E 12 MAX. 20 CM'DE BİR 5 CM'LİK PARÇALAR HALİNDE KULLANILMALIDIR.  
THE PROFILE R50 E 12 SHOULD BE USED 5 CM LENGHT IN EVERY 20 CM DISTANCE

Nr		L m	KESİM ÖLÇÜSÜ CUTTING SIZE	AKS. KODU ACS. CODE
R50 V 31	A011488		30 mm	----
			30 mm	----

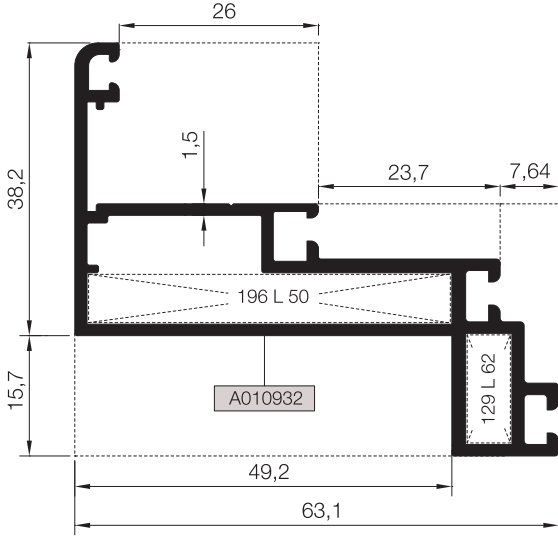
# KAPAKLI CEPHE KASA PROFİLLERİ

## FRAME PROFILES FOR CURTAIN WALL WITH CAP

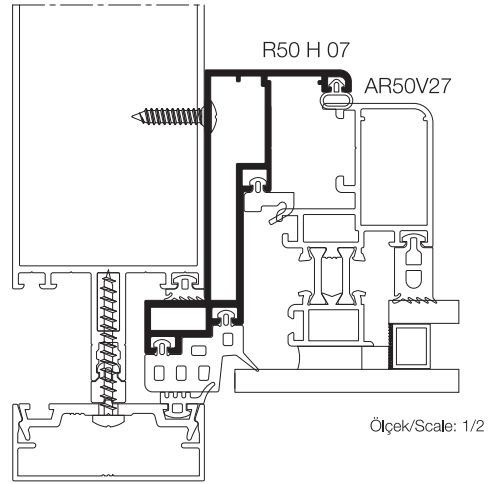
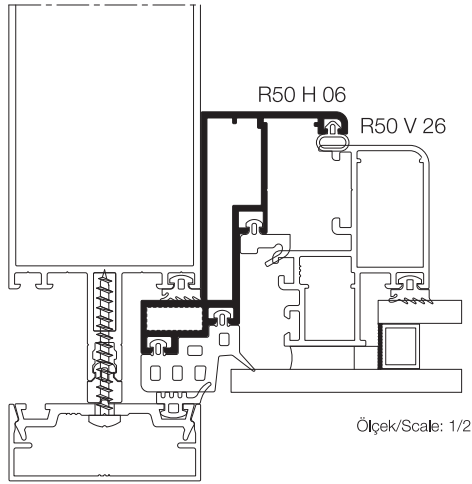
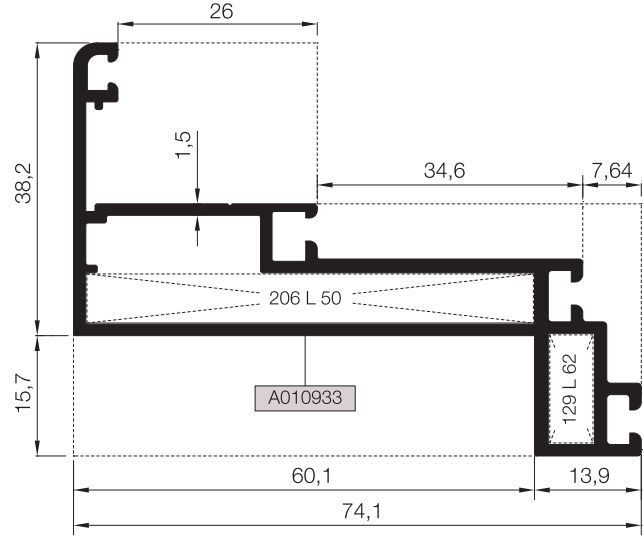
# R50

KOD / CODE	AĞIRLIK (kg/m) / WEIGHT	Jxx cm <sup>4</sup>	Jyy cm <sup>4</sup>	L m	
R50 H 06	1,012	17,114	5,870	6	
R50 H 07	1,110	26,073	5,939	6	

### R50 H 06



### R50 H 07



Nr		L m	KESİM ÖLÇÜSÜ CUTTING SIZE	AKS. KODU ACS. CODE
R50 H 06	A010932	25 L 50 (A010838)	47,2 mm	196 L 50
		25 L 62 (A002442)	5,7 mm	129 L 62
R50 H 07	A010933	25 L 50 (A010838)	58,2 mm	206 L 50
		25 L 62 (A002442)	5,7 mm	129 L 62

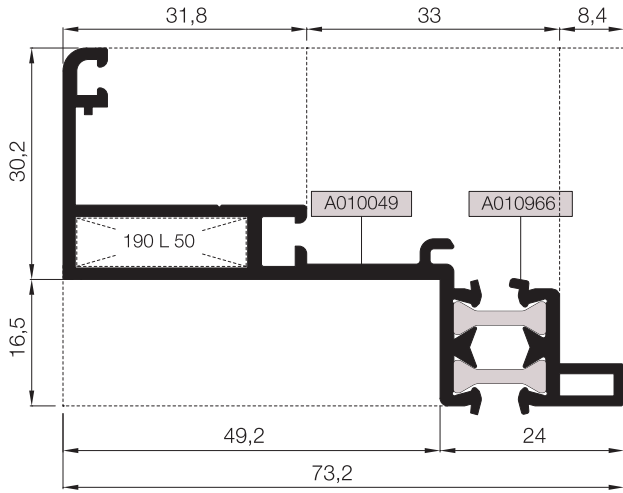
# YARI KAPAKLI CEPHE KASA PROFİLLERİ

## FRAME PROFILES FOR TWO SIDE CURTAIN WALL

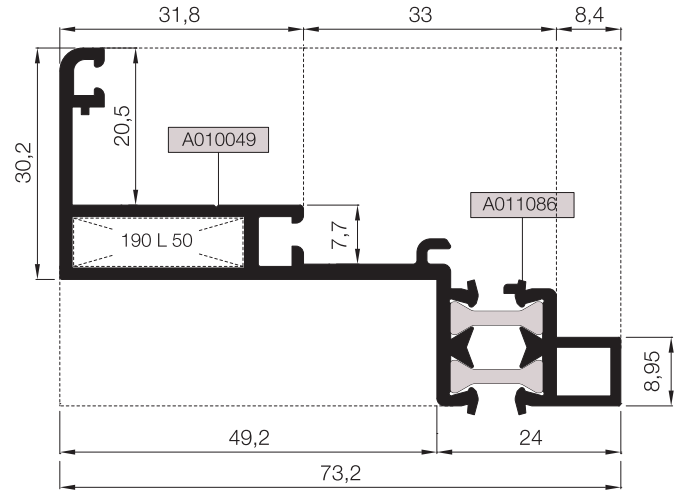
# R50

KOD / CODE	AĞIRLIK (kg/m) / WEIGHT	Jxx cm <sup>4</sup>	Jyy cm <sup>4</sup>	L m	
AR50H09	1,024	14,837	4,391	6	
AR50H11	1,036	15,343	4,371	6	
AR50H15	1,008	14,374	4,065	6	

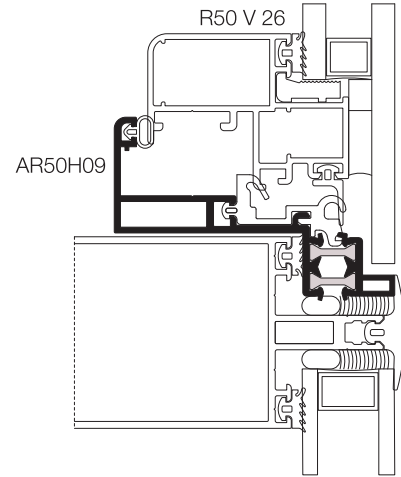
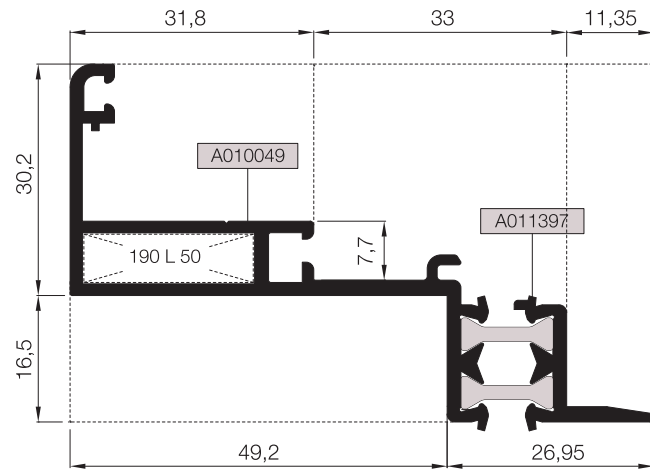
### AR50H09



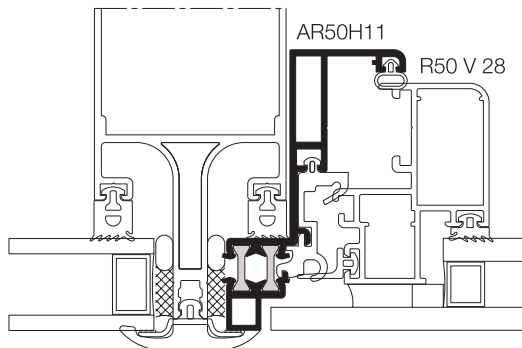
### AR50H11



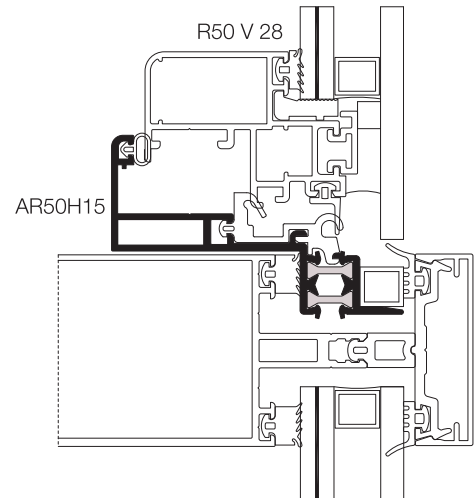
### AR50H15



Ölçek/Scale: 1/2



Ölçek/Scale: 1/2



Ölçek/Scale: 1/2

Nr		L m	KESİM ÖLÇÜSÜ CUTTING SIZE	AKS. KODU ACS. CODE
AR50H09	A010049	25 L 50 (A010838)	22,2 mm	190 L 50
AR50H11	A010049	25 L 50 (A010838)	22,2 mm	190 L 50
AR50H15	A010049	25 L 50 (A010838)	22,2 mm	190 L 50

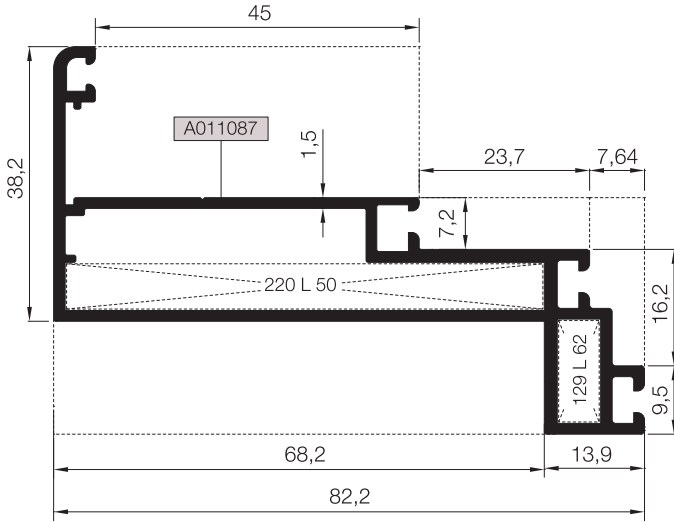
# PARALEL AÇILIM KASA-KANAT PROFİLLERİ

## FRAME & VENT PROFILES FOR PARALLEL OPENING

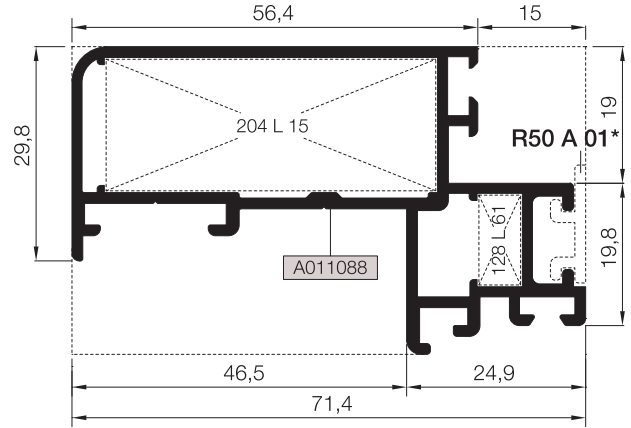
# R50

KOD / CODE	AĞIRLIK (kg/m) / WEIGHT	Jxx cm <sup>4</sup>	Jyy cm <sup>4</sup>	L m	
R50 H 12	1,165	33,975	6,243	6	
R50 H 16	1,196	28,947	5,449	6	
R50 V 22	1,112	19,984	6,374	6	

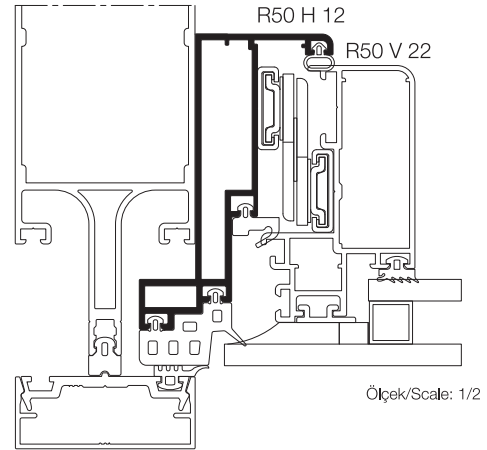
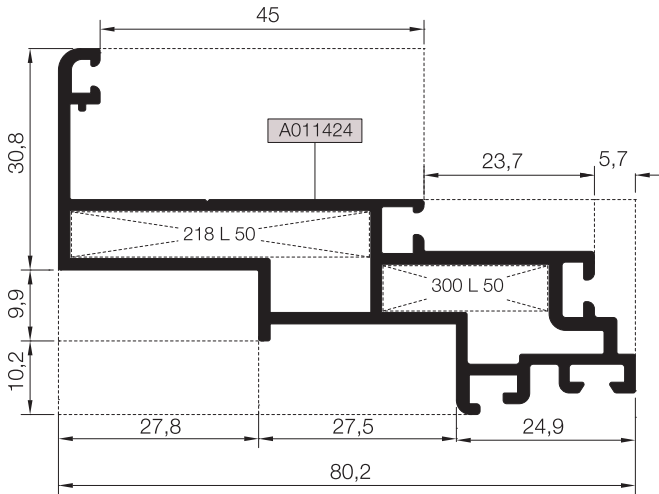
### R50 H 12



### R50 V 22

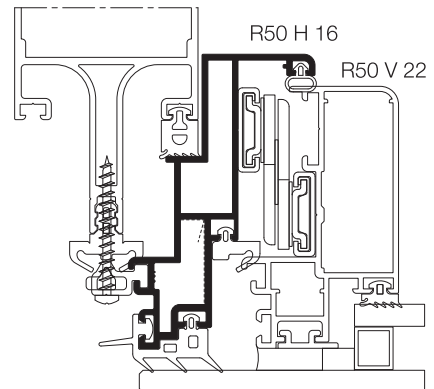


### R50 H 16



\*R50 A 01 KODLU PROFİLLER BONDING İŞLEMİNE UYGUN  
ÖZEL ELOKSALLI SİPARİŞ EDİLMELİDİR.  
THE PROFILE R50 A 01 MUST BE ORDERED WITH SPECIAL  
ANODIZED SUITABLE FOR BONDING PROCESS

Nr		L m	KESİM ÖLÇÜSÜ CUTTING SIZE	AKS. KODU ACS. CODE
R50 H 12	A011087	25 L 50 (A010838)	66,2 mm	220 L 50
		25 L 62 (A002442)	5,7 mm	129 L 62
R50 H 16	A011424	25 L 50 (A010838)	41,5 mm	218 L 50
		25 L 50 (A010838)	22,9 mm	300 L 50
R50 V 22	A011088	25 L 15 (A002060)	45,9 mm	204 L 15
		25 L 61 (A001034)	5,9 mm	128 L 61

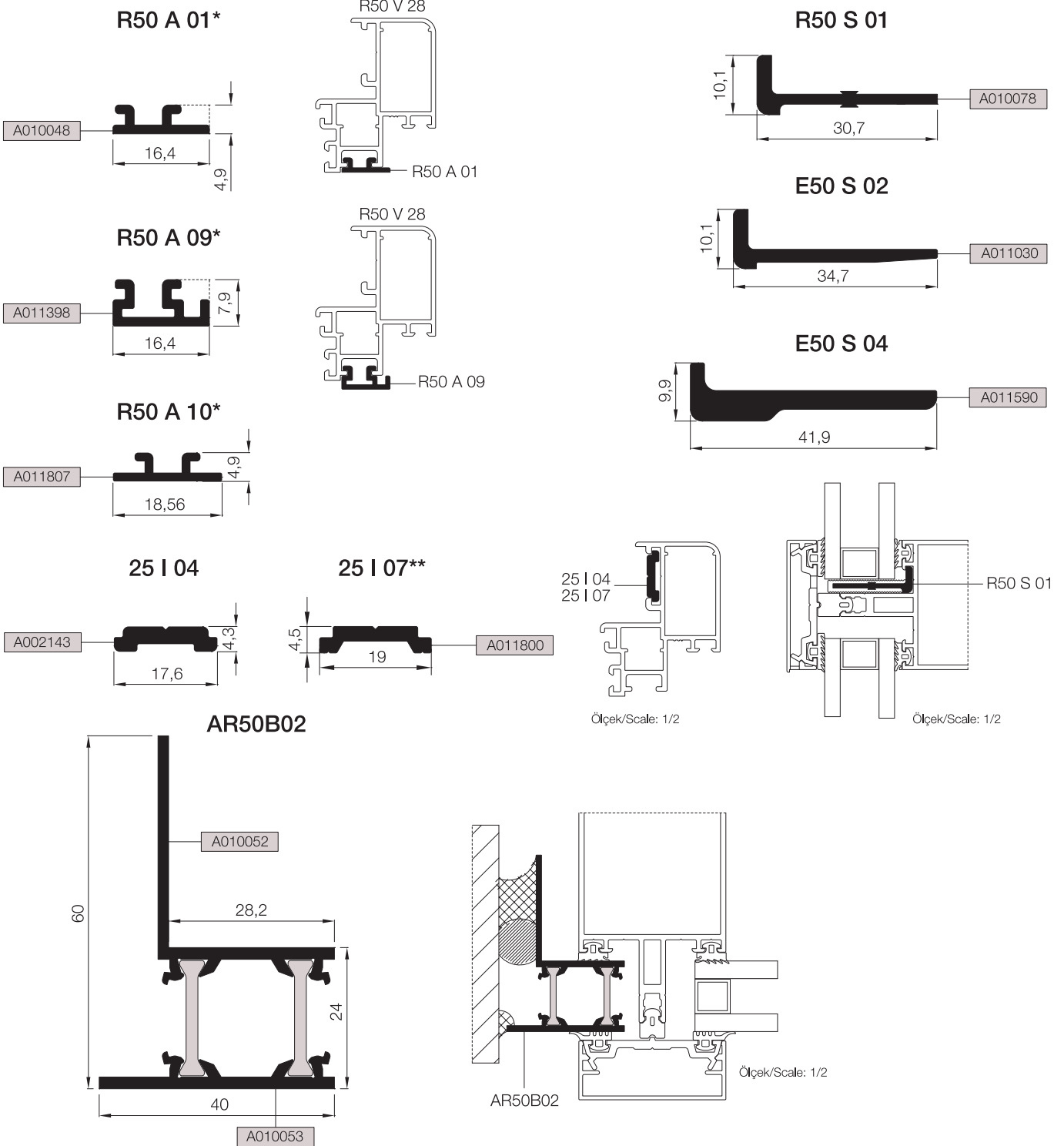
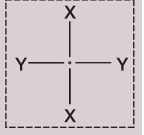


# CAM YAPIŞTIRMA, TİJ, TAKOZ VE BAĞLANTI PROFİLLERİ

## SLIDING ROD, GLASS SUPPORT AND CONNECTION PROFILES

# R50

KOD / CODE	AĞIRLIK (kg/m) / WEIGHT	L m	KOD / CODE	AĞIRLIK (kg/m) / WEIGHT	L m
R50 A 01	0,105	6	25 I 07	0,143	6
R50 A 09	0,160	6	R50 S 01	0,207	6
R50 A 10	0,116	6	E50 S 02	0,252	6
R50 E 12	0,189	6	E50 S 04	0,470	6
25 I 04	0,153	6	AR50B02	0,824	6



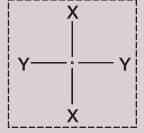
\*R50 A 01 - R50 A 09 - R50 A 10 KODLU PROFİLLER BONDING İŞLEMİNE UYGUN ÖZEL ELOKSALLI SİPARİŞ EDİLMELİDİR.  
THE PROFILES R50 A 01 - R50 A 09 - R50 A 10 MUST BE ORDERED WITH SPECIAL ANODIZED SUITABLE FOR BONDING PROCESS.  
\*\*GIESSE KOL VE KİLİTLEME AKSESUARLARI SADECE 25 I 07 TİJ PROFİLİ İLE KULLANILMALIDIR.  
GIESSE HANDLE AND LOCKING ACCESSORIES SHOULD BE USED WITH ONLY 25 I 07 ROD PROFILE.

# CAM TAŞIMA VE TIRNAK PROFİLLERİ

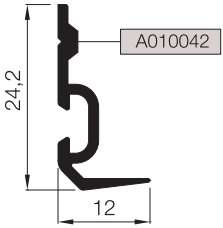
## GLASS SUPPORT PROFILES

# R50

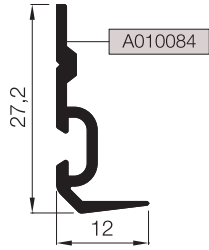
KOD / CODE	AĞIRLIK (kg/m) / WEIGHT	L m	KOD / CODE	AĞIRLIK (kg/m) / WEIGHT	L m
R50 R 01	0,158	6	R50 R 05	0,166	6
R50 R 02	0,169	6	R50 R 06	0,154	6
R50 R 03	0,111	6	R50 R 11	0,107	6
R50 R 04	0,181	6	R50 R 15	0,144	6



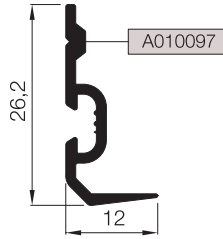
**R50 R 01**



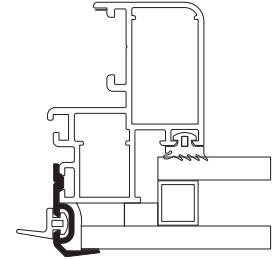
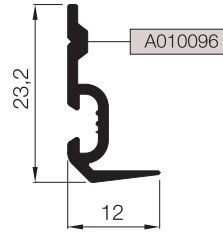
**R50 R 02**



**R50 R 05**



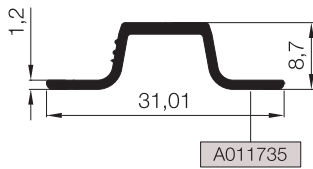
**R50 R 06**



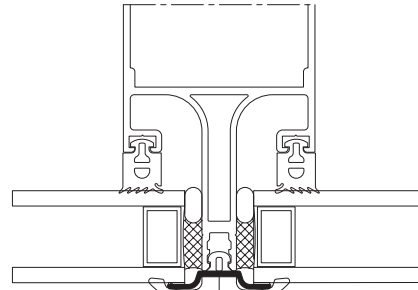
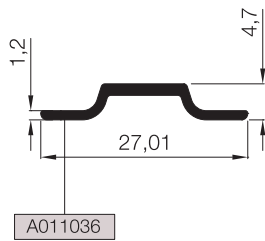
R50 R 01  
R50 R 02  
R50 R 05  
R50 R 06

Ölçek/Scale: 1/2

**R50 R 15**



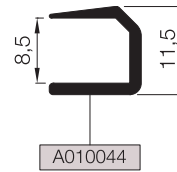
**R50 R 11**



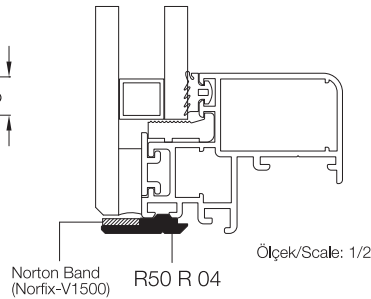
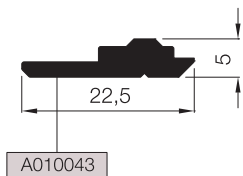
R50 R 11

Ölçek/Scale: 1/2

**R50 R 03**



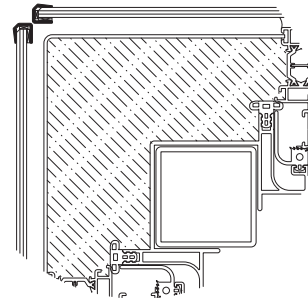
**R50 R 04**



Norton Band  
(Norfix-V1500)

R50 R 04

Ölçek/Scale: 1/2



01

02

03

04

05

06

07

08

09

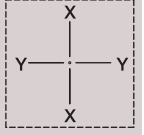
10

# TEK ÇITA PROFİLLERİ

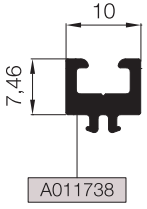
## GLAZING BEAD PROFILES FOR SINGLE GLASS

# R50

KOD / CODE	AĞIRLIK (kg/m) / WEIGHT	L m	KOD / CODE	AĞIRLIK (kg/m) / WEIGHT	L m
R50 G 01	0,219	6	R50 G 05	0,340	6
R50 G 02	0,249	6	R50 G 06	0,136	6
R50 G 03	0,280	6			
R50 G 04	0,310	6			

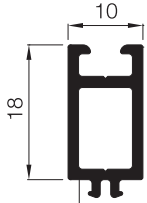


R50 G 06



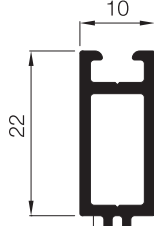
A011738

R50 G 01



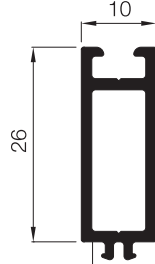
A010091

R50 G 02



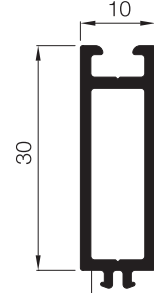
A010092

R50 G 03



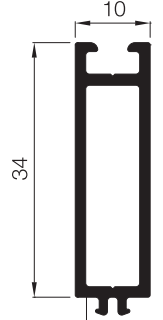
A010093

R50 G 04

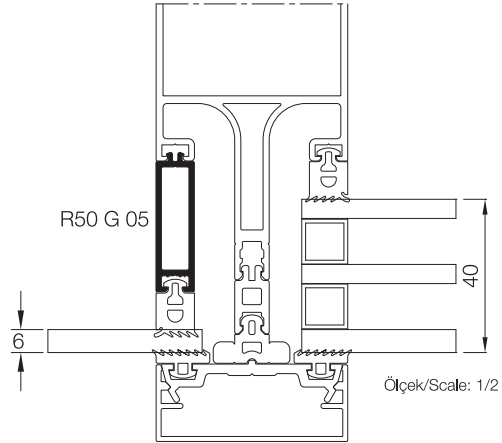
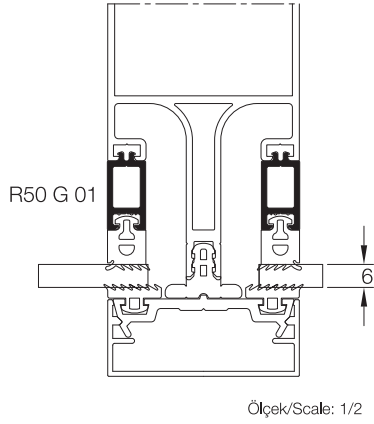


A010094

R50 G 05



A010095



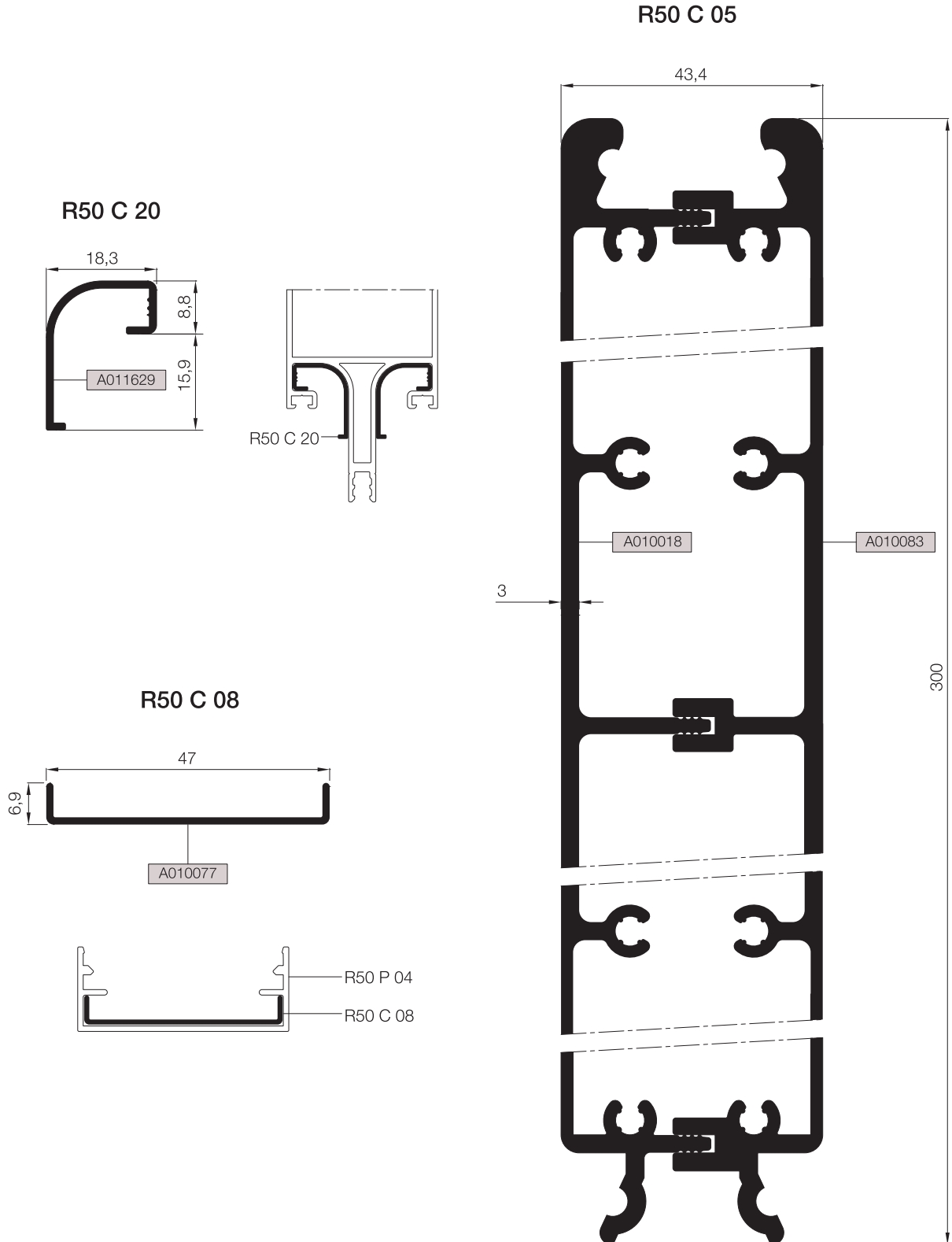


# DÜŞEY BAĞLANTI PROFİLLERİ

## MULLION CONNECTION PROFILES

# R50

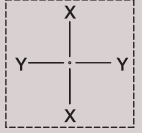
KOD / CODE	AĞIRLIK (kg/m) / WEIGHT	L m	
R50 C 05	6,552	6	
R50 C 08	0,187	6	
R50 C 20	0,166	6	



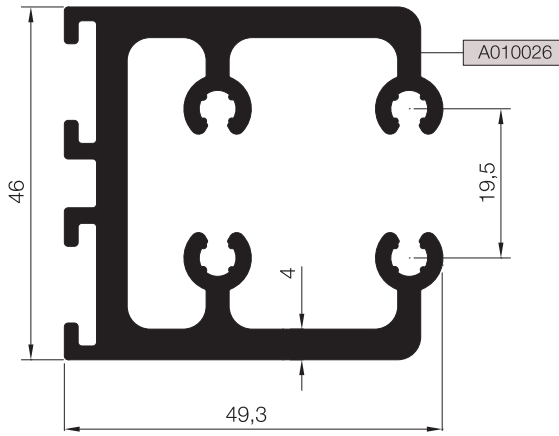
# YATAY BAĞLANTI PROFİLLERİ TRAMSON CONNECTION PROFILES

# R50

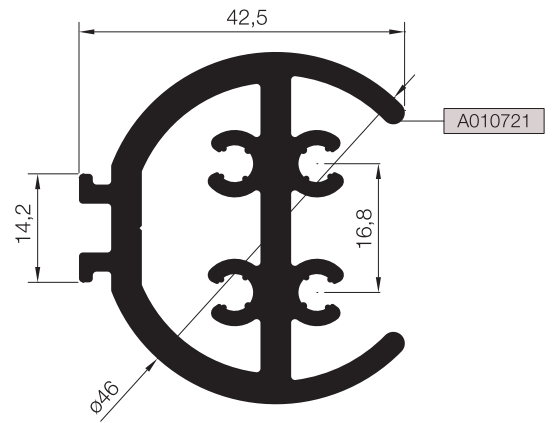
KOD / CODE	AĞIRLIK (kg/m) / WEIGHT	L m
R50 C 06	2,033	6
R50 C 10	1,715	6
R50 C 11	1,813	6
R50 C 12	0,548	6



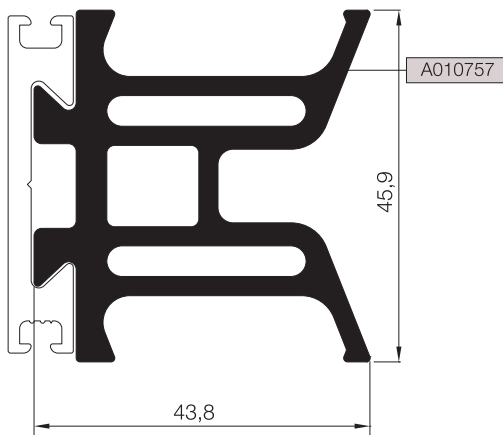
R50 C 06



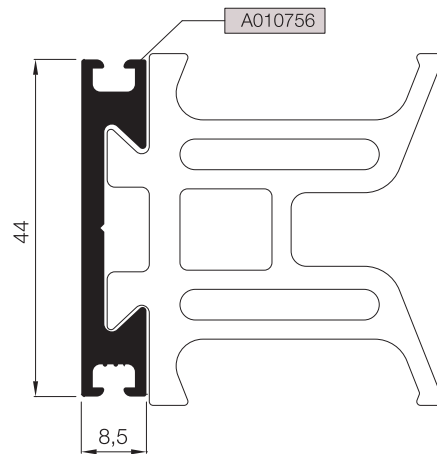
R50 C 10



R50 C 11



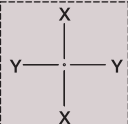
R50 C 12



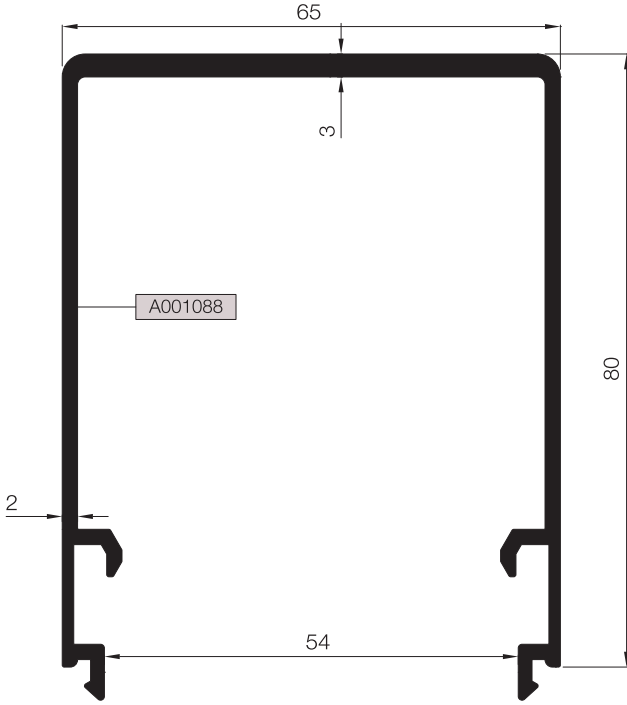
# ÇELİK TAKVİYELİ DÜŞEY PROFİLLER

## MULLION PROFILES WITH STEEL REINFORCEMENT

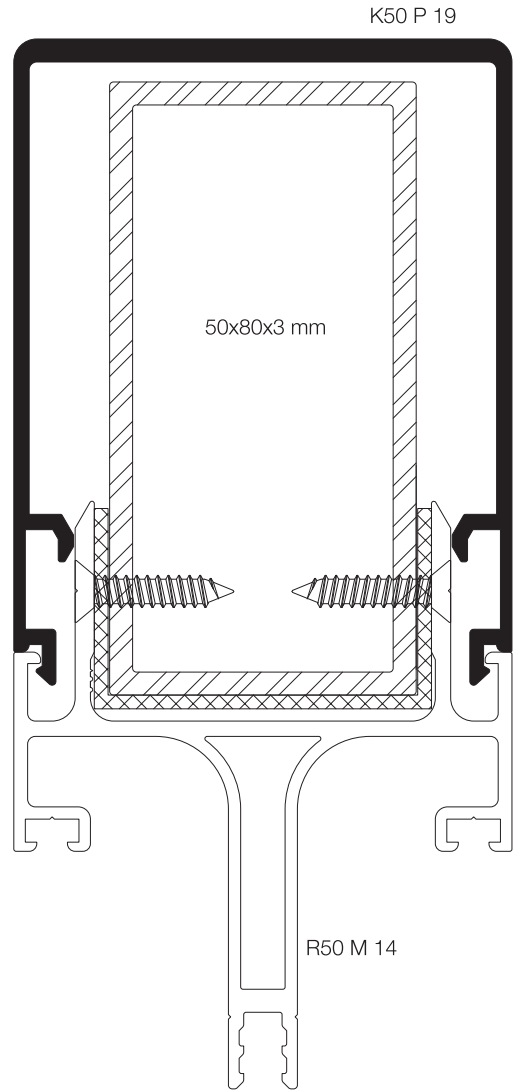
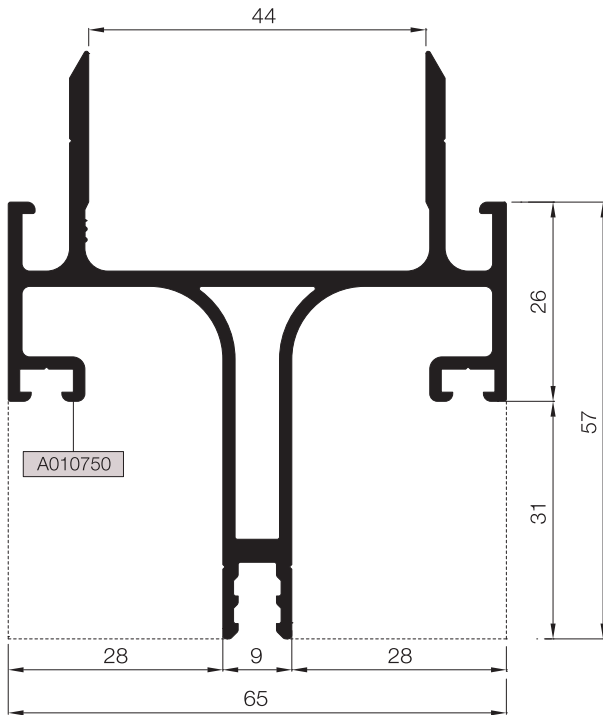
# R50

KOD / CODE	AĞIRLIK (kg/m) / WEIGHT	Jxx cm <sup>4</sup>	Jyy cm <sup>4</sup>	L m	
K50 P 19	1,336	39,110	39,480	6	
R50 M 14	1,555	16,928	24,136	6	

### K50 P 19



### R50 M 14



01

02

03

04

05

06

07

08

09

10

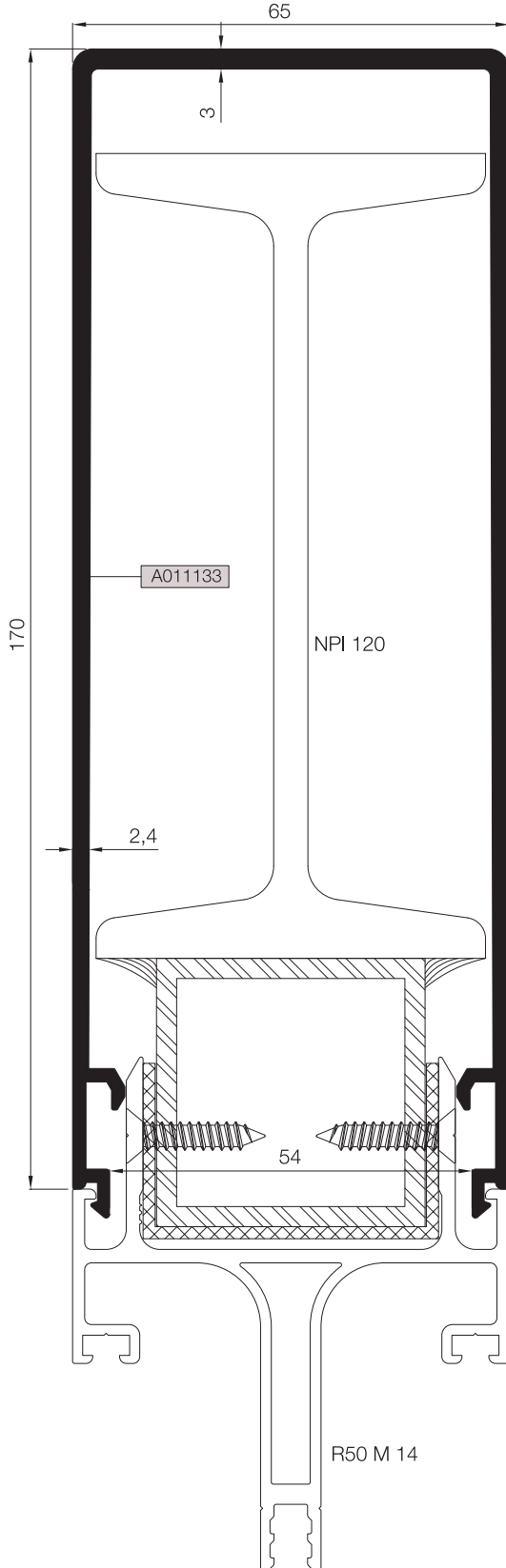
# ÇELİK TAKVİYELİ DÜŞEY PROFİLLER

## MULLION PROFILES WITH STEEL REINFORCEMENT

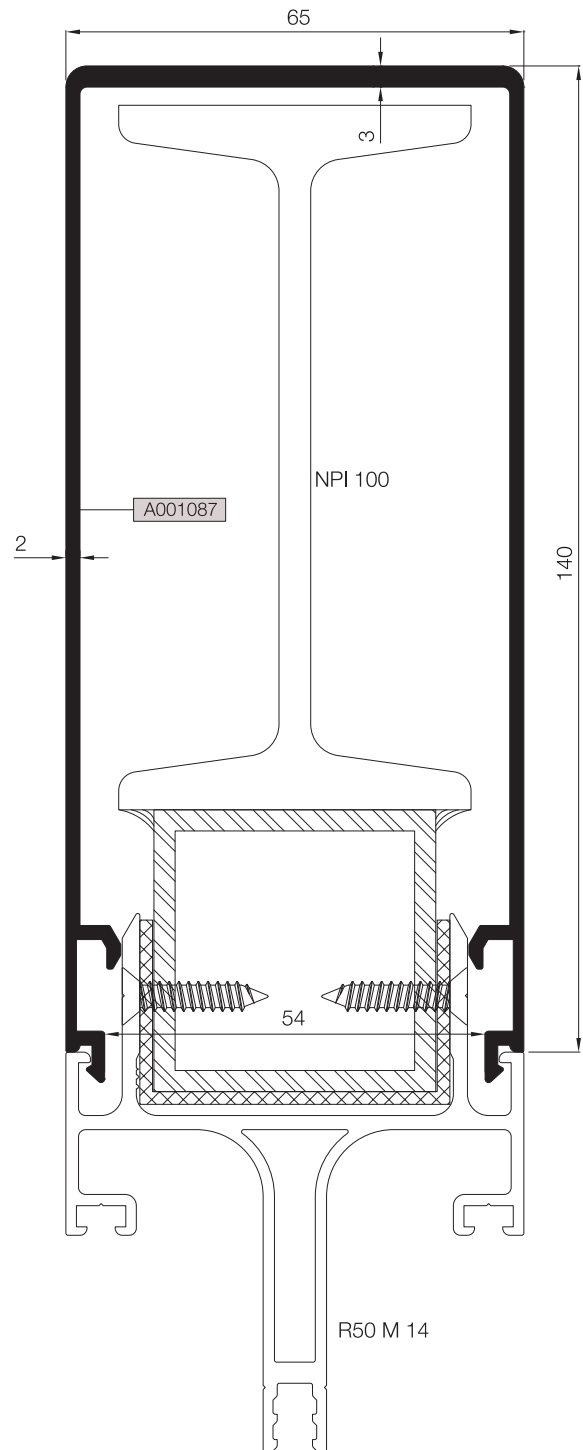
# R50

KOD / CODE	AĞIRLIK (kg/m) / WEIGHT	Jxx cm <sup>4</sup>	Jyy cm <sup>4</sup>	L m	
R50 P 33	2,997	351,315	94,281	6	
K50 P 18	2,313	193,150	70,297	6	

### R50 P 33

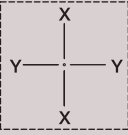


### K50 P 18

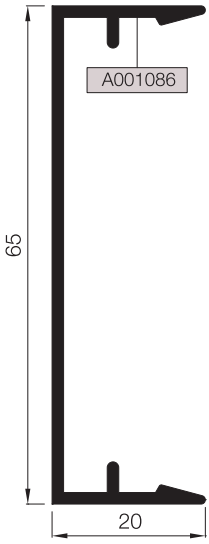


ÇELİK TAKVİYELİ YATAY PROFİLLER  
TRANSOM PROFILES WITH STEEL REINFORCEMENT

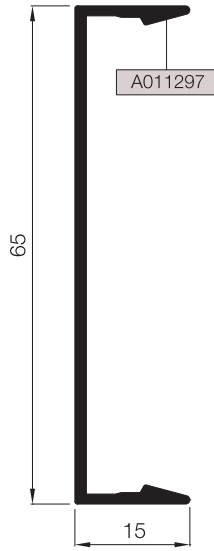
R50

KOD / CODE	AĞIRLIK (kg/m) / WEIGHT	Jxx cm <sup>4</sup>	Jyy cm <sup>4</sup>	L m	
K50 P 20	0,901	77,402	25,100	6	
R50 P 04	0,455	-	-	6	
R50 P 05	0,566	-	-	6	
R50 P 35	0,380	-	-	6	
R50 T 08	1,422	14,893	22,457	6	

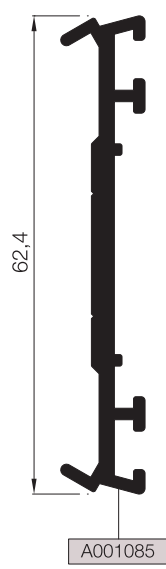
R50 P 04



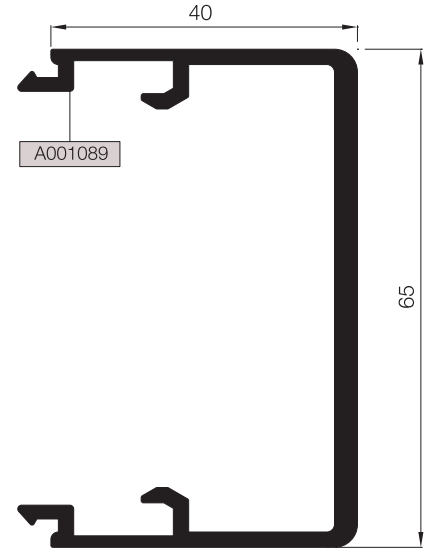
R50 P 35



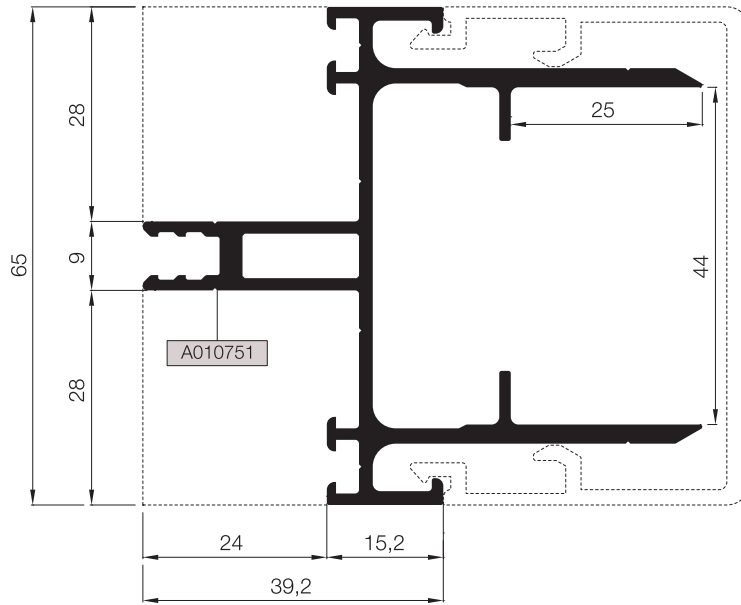
R50 P 05



K50 P 20



R50 T 08



01

02

03

04

05

06

07

08

09

10

## STOKTA BULUNAN SİSTEM PROFİLLERİNİN LİSTESİ (LIST OF SYSTEM PROFILES IN STOCK)

Nr			MIN. SİPARİŞ MİKTARI MIN. ORDER QUANTITY
AR50V16	A010776	75 kg	150 kg
	A010032	75 kg	
AR50V27	A011283	75 kg	150 kg
	A010032	75 kg	
AR50H09	A010049	75 kg	150 kg
	A010966	75 kg	
R50 C 05	A010018	75 kg	150 kg
	A010083	75 kg	
R50 M 01	A010000		75 kg
R50 M 02	A010001		75 kg
R50 M 03	A010002		75 kg
R50 M 04	A010003		75 kg
R50 M 18	A010926		75 kg
R50 M 20	A010969		75 kg
R50 M 21	A010970		75 kg
R50 T 02	A010007		75 kg
R50 T 03	A010008		75 kg
R50 T 04	A010009		75 kg
R50 T 05	A010010		75 kg
R50 T 06	A010011		75 kg
R50 T 13	A010968		75 kg
R50 T 14	A11132A		75 kg
R50 T 17	A011166		75 kg
R50 T 18	A011173		75 kg
R50 P 01	A02357A		75 kg
R50 P 03	A02359A		75 kg
R50 P 04	A001086		75 kg
R50 P 05	A001085		75 kg
R50 P 06	A02381A		75 kg
R50 P 15	A10054A		75 kg
R50 P 16	A10055A		75 kg
R50 P 32	A011137		75 kg
R50 R 04	A010043		75 kg
R50 S 01	A010078		75 kg
R50 V 21	A011060		75 kg
R50 V 26	A011278		75 kg
R50 V 28	A011366		75 kg
R50 H 06	A010932		75 kg
K50 P 19	A001088		75 kg
R50 A 01	A010048		75 kg
R50 C 04	A010017		75 kg
R50 C 06	A010026		75 kg
R50 C 11	A010757		75 kg
R50 C 12	A010756		75 kg
R50 E 12	A011280		75 kg

\* STOKTA BULUNMAYAN TÜM PROFİLLER İÇİN MİNİMUM SİPARİŞ MİKTARI 300\*KG'DİR.  
MINIMUM ORDER QUANTITY FOR ALL THE PROFILES THAT ARE NOT IN STOCK IS 300 KG.

# MİMARİ KATALOG

## ARCHITECTURAL CATALOGUE

Alüminyum Kapı Pencere ve Giydirme Cephe Sistemleri  
Aluminium Window Doors and Facade Systems



Rescara Sistem Detayları  
Rescara System Details

# R50

CAM TABLOLARI

GLASS TABLES

DÜŞEY VE YATAY BAĞLANTILAR

MULLION & TRANSOM CONNECTION PIECES

KÖŞE TAKOZLARI

CORNER CLEATS

01

02

03

04

05

06

07

08

09

10

**CAM TABLOSU / KAPAKLI CEPHE**  
**GLASS TABLE / CURTAIN WALL WITH CAPE**

**R50**

01

02

03

04

05

06

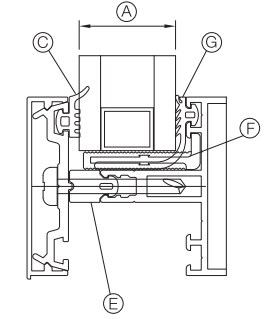
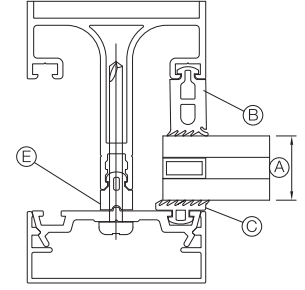
07

08

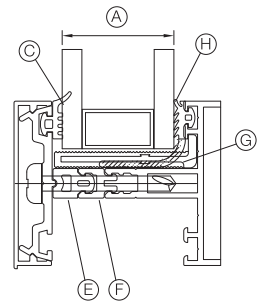
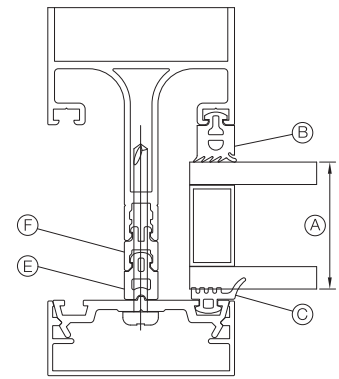
09

10

A	B	C	E	F	G
<b>CAM GLASS</b>	<b>İÇ CAM FİTİLİ GLASS GASKET</b>	<b>DIŞ CAM FİTİLİ GLASS GASKET</b>	<b>ORTA FİTİL CENTRAL GASKET</b>	<b>CAM TAKOZU SUPPORTER</b>	<b>İÇ CAM FİTİLİ GLASS GASKET</b>
18 mm	01.02.01	01.11.01	01.05.01	R50 S 01	01.03.01
19 mm	01.02.02	01.11.01	01.05.01	R50 S 01	01.03.02
20 mm	01.02.03	01.11.01	01.05.01	R50 S 01	01.03.03
21 mm	01.02.04	01.11.01	01.05.01	R50 S 01	01.03.04
22 mm	01.02.05	01.11.01	01.05.01	R50 S 01	01.03.05
23 mm	01.02.06	01.11.01	01.05.01	R50 S 01	01.03.06
24 mm	01.02.07	01.11.01	01.05.01	R50 S 01	01.03.07
25 mm	01.02.07	01.11.01	01.05.02	R50 S 01	01.03.07
26 mm	01.02.07	01.11.01	01.05.03	R50 S 01	01.03.07
27 mm	01.02.07	01.11.01	01.05.04	R50 S 01	01.03.07
28 mm	01.02.07	01.11.01	01.05.05	R50 S 01	01.03.07
29 mm	01.02.07	01.11.01	01.05.06	R50 S 01	01.03.07



A	B	C	E	G	H	F
<b>CAM GLASS</b>	<b>İÇ CAM FİTİLİ GLASS GASKET</b>	<b>DIŞ CAM FİTİLİ GLASS GASKET</b>	<b>ORTA FİTİL CENTRAL GASKET</b>	<b>CAM TAKOZU SUPPORTER</b>	<b>İÇ CAM FİTİLİ GLASS GASKET</b>	<b>PVC PROFİL PVC PROFILE</b>
30 mm	01.02.06	01.11.01	01.05.01	R50 S 01	01.03.06	02.01.01
31 mm	01.02.07	01.11.01	01.05.01	R50 S 01	01.03.07	02.01.01
32 mm	01.02.07	01.11.01	01.05.02	R50 S 01	01.03.07	02.01.01
33 mm	01.02.07	01.11.01	01.05.03	R50 S 01	01.03.07	02.01.01
34 mm	01.02.07	01.11.01	01.05.04	R50 S 01	01.03.07	02.01.01
35 mm	01.02.07	01.11.01	01.05.05	R50 S 01	01.03.07	02.01.01
36 mm	01.02.07	01.11.01	01.05.06	R50 S 01	01.03.07	02.01.01
37 mm	01.02.07	01.11.01	01.05.02	R50 S 01	01.03.07	02.01.08
38 mm	01.02.07	01.11.01	01.05.03	R50 S 01	01.03.07	02.01.08
39 mm	01.02.07	01.11.01	01.05.04	R50 S 01	01.03.07	02.01.08
40 mm	01.02.07	01.11.01	01.05.05	R50 S 01	01.03.07	02.01.08





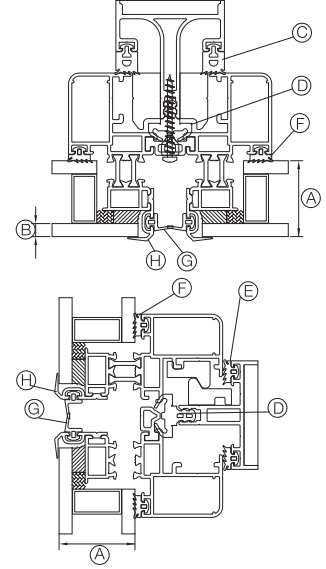
# CAM TABLOSU / SİLİKON CEPHE

## GLASS TABLE / CURTAIN WALL WITH STRUCTURAL CELLS

# R50

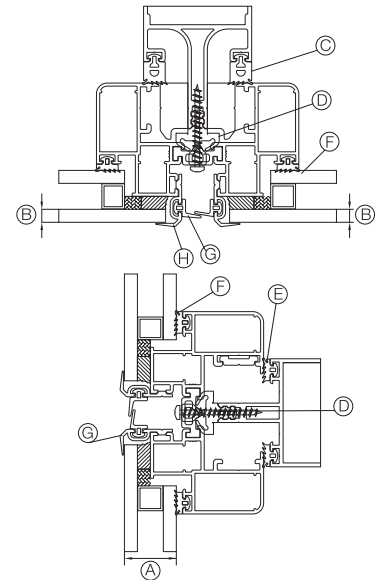
KULLANILAN PROFİL: AR50V27

A	F (İÇ CAM FİTİLİ)			C	D	E	G
CAM GLASS	B, DIŞ CAM KALINLIĞI GLASS THICKNESS (OUT)			CAM FİTİLİ GLASS GASKET	ORTA FİTİL CENTRAL GASKET	CAM FİTİLİ GLASS GASKET	TIRNAK FİTİLİ GASKET
	5 mm R50 R 06	6 mm R50 R 01	8 mm R50 R 05				
21 mm	01.02.01	—	—	01.02.07	01.07.01	01.03.07	01.08.03
22 mm	01.02.02	01.02.01	—	01.02.07	01.07.01	01.03.07	01.08.03
23 mm	01.02.03	01.02.02	—	01.02.07	01.07.01	01.03.07	01.08.03
24 mm	—	01.02.03	01.02.01	01.02.07	01.07.01	01.03.07	01.08.03
25 mm	01.02.05	—	01.02.02	01.02.07	01.07.01	01.03.07	01.08.03
26 mm	01.02.06	01.02.05	01.02.03	01.02.07	01.07.01	01.03.07	01.08.03
27 mm	01.02.07	01.02.06	—	01.02.07	01.07.01	01.03.07	01.08.03
28 mm	—	01.02.07	01.02.05	01.02.07	01.07.01	01.03.07	01.08.03
29 mm	01.03.02	—	01.02.06	01.02.07	01.07.01	01.03.07	01.08.03
30 mm	01.03.03	01.03.02	01.02.07	01.02.07	01.07.01	01.03.07	01.08.03
31 mm	01.03.04	01.03.03	—	01.02.07	01.07.01	01.03.07	01.08.03
32 mm	—	01.03.04	01.03.02	01.02.07	01.07.01	01.03.07	01.08.03
33 mm	01.03.06	01.03.05	01.03.03	01.02.07	01.07.01	01.03.07	01.08.03
34 mm	01.03.07	01.03.06	01.03.04	01.02.07	01.07.01	01.03.07	01.08.03
35 mm	—	01.03.07	—	01.02.07	01.07.01	01.03.07	01.08.03
36 mm	—	—	01.03.06	01.02.07	01.07.01	01.03.07	01.08.03
37 mm	—	—	01.03.07	01.02.07	01.07.01	01.03.07	01.08.03



KULLANILAN PROFİLLER: R50 V 26 - R50 V 28

A	F (İÇ CAM FİTİLİ)			C	D	E	G
CAM GLASS	B, DIŞ CAM KALINLIĞI GLASS THICKNESS (OUT)			CAM FİTİLİ GLASS GASKET	ORTA FİTİL CENTRAL GASKET	CAM FİTİLİ GLASS GASKET	TIRNAK FİTİLİ GASKET
	5 mm R50 R 06	6 mm R50 R 01	8 mm R50 R 05				
18 mm	01.03.02	01.03.01	01.02.06	01.02.07	01.07.01	01.03.07	01.08.03
19 mm	01.03.03	01.03.02	01.02.07	01.02.07	01.07.01	01.03.07	01.08.03
20 mm	01.03.04	01.03.03	01.03.01	01.02.07	01.07.01	01.03.07	01.08.03
21 mm	01.03.05	01.03.04	01.03.02	01.02.07	01.07.01	01.03.07	01.08.03
22 mm	01.03.06	01.03.05	01.03.03	01.02.07	01.07.01	01.03.07	01.08.03
23 mm	01.03.07	01.03.06	01.03.04	01.02.07	01.07.01	01.03.07	01.08.03
24 mm	—	01.03.07	01.03.05	01.02.07	01.07.01	01.03.07	01.08.03
25 mm	—	—	01.03.06	01.02.07	01.07.01	01.03.07	01.08.03
26 mm	—	—	01.03.07	01.02.07	01.07.01	01.03.07	01.08.03



PROFİL KODU (PROFILE CODE)	25 L 15	25 L 35	25 L 38	25 L 50
FABRİKA KODU (FACTORY CODE)	A002060	A010076	A002074	A010838
AĞIRLIK (WEIGHT)	5,167 kg/m	4,192 kg/m	4,854 kg/m	1,748 kg/m
ÇİZİM (DRAWING)				

PROFİL KODU (PROFILE CODE)	25 L 61	25 L 62	25 L 69	
FABRİKA KODU (FACTORY CODE)	A001034	A002442	A011097	
AĞIRLIK (WEIGHT)	3,759 kg/m	4,249 kg/m	3,824 kg/m	
ÇİZİM (DRAWING)				

Nr			KESİM ÖLÇÜSÜ CUTTING SIZE	AKS. KODU ACS. CODE
R50 V 22	A011088	25 L 15 (A002060)	45,9 mm	204 L 15
		25 L 61 (A001034)	5,9 mm	128 L 61
R50 V 26	A011278	25 L 38 (A002074)	27,0 mm	157 L 38
		25 L 35 (A010076)	13,8 mm	239 L 35
AR50V27	A011283	25 L 38 (A002074)	27,0 mm	157 L 38
		A010032	25 L 35 (A010076)	7,8 mm
R50 V 28	A011366	25 L 38 (A002074)	27,0 mm	157 L 38
		25 L 61 (A001034)	5,9 mm	128 L 61
AR50V32	A011628	25 L 69 (A011097)	6,8 mm	275 L 69
		A010032	25 L 35 (A010076)	7,8 mm
AR50V34	A011283	25 L 38 (A002074)	27,0 mm	157 L 38
		A011806	25 L 69 (A011097)	5,7 mm
AR50V35	A011628	25 L 69 (A011097)	6,8 mm	275 L 69
		A011806	25 L 69 (A011097)	5,7 mm
R50 H 06	A010932	25 L 50 (A010838)	47,2 mm	196 L 50
		25 L 62 (A002442)	5,7 mm	129 L 62
R50 H 07	A010933	25 L 50 (A010838)	58,2 mm	206 L 50
		25 L 62 (A002442)	5,7 mm	129 L 62
R50 H 09	A010049	25 L 50 (A010838)	22,2 mm	190 L 50
R50 H 11	A010049	25 L 50 (A010838)	22,2 mm	190 L 50
R50 H 12	A011087	25 L 50 (A010838)	66,2 mm	220 L 50
		25 L 62 (A002442)	5,7 mm	129 L 62

ÇİZİM DRAWING	AKSESUAR KODU ACCESSORIES CODE	PROFİL PROFILE	KESİM ÖLÇÜSÜ CUTTING SIZE
	06.01.01	R50 M 01 R50 M 20	L=60,5 mm
	06.01.02	R50 M 02 R50 M 18	L=80,5 mm
	06.01.03	R50 M 03 R50 M 21	L=98,5 mm
	06.01.04	R50 M 04	L=117,5 mm
	06.01.05	R50 M 05	L=134,5 mm
	06.01.06	R50 M 06	L=154,5 mm
	06.01.07	R50 M 07	L=64,5 mm
	06.01.08	R50 M 08	L=95,5 mm
	06.01.09	R50 M 09	L=109,5 mm
	06.01.10	R50 M 11	L=82,64 mm
	06.01.11	R50 M 17	L=100,5 mm
	06.01.12	R50 M 18	L=80,9 mm
	06.01.16	R50 M 19	L=74,5 mm
	06.01.17	R50 M 26	L=173,5 mm
	06.01.19	R50 M 29	L=137,8 mm
	06.01.23	R50 M 30	L=82,2 mm
06.01.30	R50 M 34	L=70,5 mm	
06.01.31	R50 M 35	L=67,5 mm	

01

02

03

04

05

06

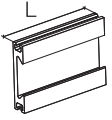
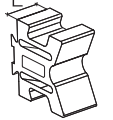

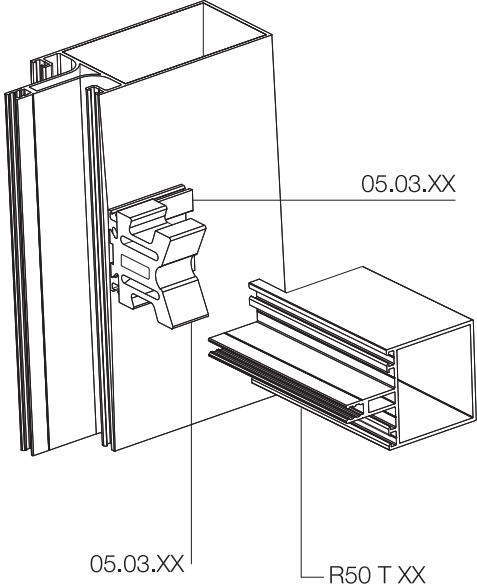
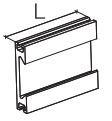
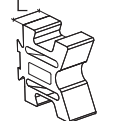
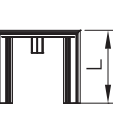
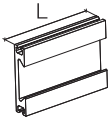
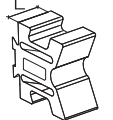
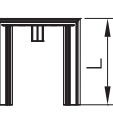
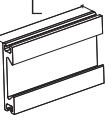
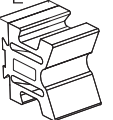

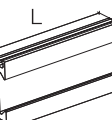
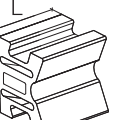
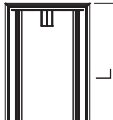
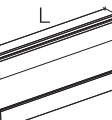
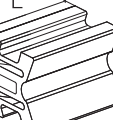

07

08

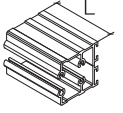
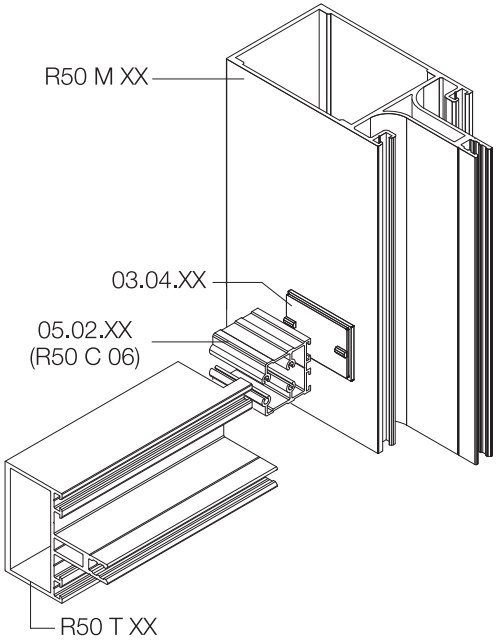
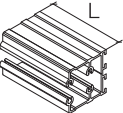
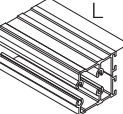
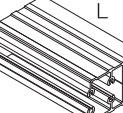
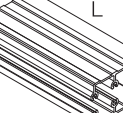
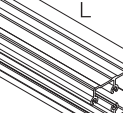
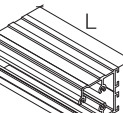
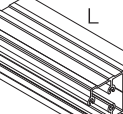
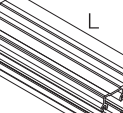
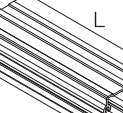
09

10

KIRLANGIÇ (T) BAĞLANTILAR / T CONNECTIONS

ÇİZİM DRAWING	ÇİZİM DRAWING	ÇİZİM DRAWING	RENK COLOR		UYGULAMA / APPLICATION
05.03.01  KESİM ÖLÇÜSÜ CUTTING SIZE L=18,7 mm	05.03.11  KESİM ÖLÇÜSÜ CUTTING SIZE L=19,7 mm	03.04.07.T01  KESİM ÖLÇÜSÜ CUTTING SIZE L=23 mm	PRES	R50 T 01	
05.03.02  KESİM ÖLÇÜSÜ CUTTING SIZE L=40,9 mm	05.03.12  KESİM ÖLÇÜSÜ CUTTING SIZE L=41,9 mm	03.04.07.T02  KESİM ÖLÇÜSÜ CUTTING SIZE L=45 mm	PRES	R50 T 02 R50 T 13	
05.03.03  KESİM ÖLÇÜSÜ CUTTING SIZE L=50,9 mm	05.03.13  KESİM ÖLÇÜSÜ CUTTING SIZE L=51,9 mm	03.04.07.T03  KESİM ÖLÇÜSÜ CUTTING SIZE L=55 mm	PRES	R50 T 03	
05.03.04  KESİM ÖLÇÜSÜ CUTTING SIZE L=76,9 mm	05.03.14  KESİM ÖLÇÜSÜ CUTTING SIZE L=77,8 mm	03.04.07.T04  KESİM ÖLÇÜSÜ CUTTING SIZE L=81 mm	PRES	R50 T 04 R50 T 18	
05.03.05  KESİM ÖLÇÜSÜ CUTTING SIZE L=96,9 mm	05.03.15  KESİM ÖLÇÜSÜ CUTTING SIZE L=97,8 mm	03.04.07.T05  KESİM ÖLÇÜSÜ CUTTING SIZE L=101 mm	PRES	R50 T 05	
05.03.06  KESİM ÖLÇÜSÜ CUTTING SIZE L=116,9 mm	05.03.16  KESİM ÖLÇÜSÜ CUTTING SIZE L=115,8 mm	03.04.07.T06  KESİM ÖLÇÜSÜ CUTTING SIZE L=120 mm	PRES	R50 T 06	

U BAĞLANTILAR / U CONNECTIONS

ÇİZİM DRAWING	AKSESUAR KODU ACCESSORIES CODE	PROFİL PROFILE	KESİM ÖLÇÜSÜ CUTTING SIZE	UYGULAMA / APPLICATION
	05.02.01	R50 T 01	L=20,7 mm	
	05.02.02	R50 T 02 R50 T 13	L=41,9 mm	
	05.02.03	R50 T 03	L=51,9 mm	
	05.02.04	R50 T 04 R50 T 18	L=77,8 mm	
	05.02.05	R50 T 05	L=97,8 mm	
	05.02.06	R50 T 06	L=115,8 mm	
	05.02.07	R50 T 15	L= 66,6 mm	
	05.02.08	R50 T 16	L=97,6 mm	
	05.02.09	R50 T 17	L=137,8 mm	
	05.02.10	R50 T 14	L=117,7 mm	

01

02

03

04

05

06

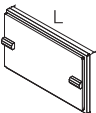
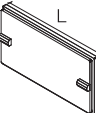
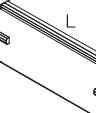
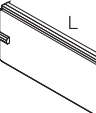
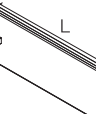
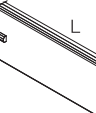
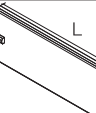
07

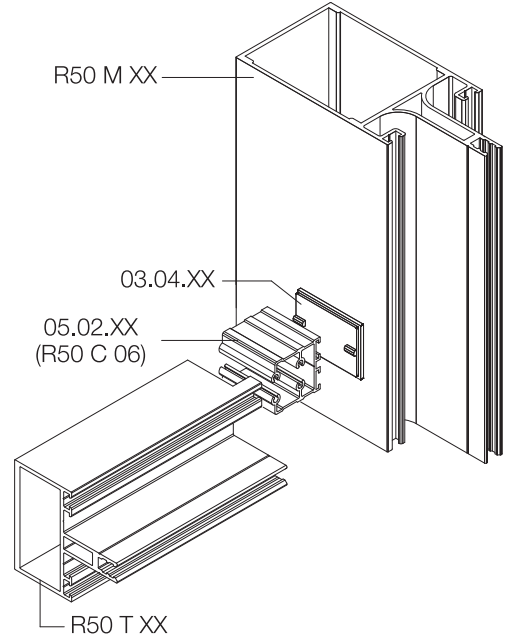
08

09

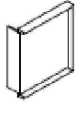
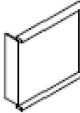



10

U BAĞLANTI CONTALARI / U CONNECTION PLUGS (EPDM)

ÇİZİM DRAWING	AKSESUAR KODU ACCESSORIES CODE	PROFİL PROFILE	KESİM ÖLÇÜSÜ CUTTING SIZE	MALZEME MATERIAL
	03.04.01	R50 T 01	L=24 mm	EPDM
	03.04.02	R50 T 02 R50 T 13	L=44 mm	EPDM
	03.04.03	R50 T 03	L=54 mm	EPDM
	03.04.04	R50 T 04 R50 T 18	L=80 mm	EPDM
	03.04.05	R50 T 05	L=100 mm	EPDM
	03.04.06	R50 T 06 R50 T 14	L=120 mm	EPDM
	03.04.11	R50 T 17	L=139,8 mm	EPDM



U BAĞLANTI CONTALARI / U CONNECTION PLUGS (PVC)

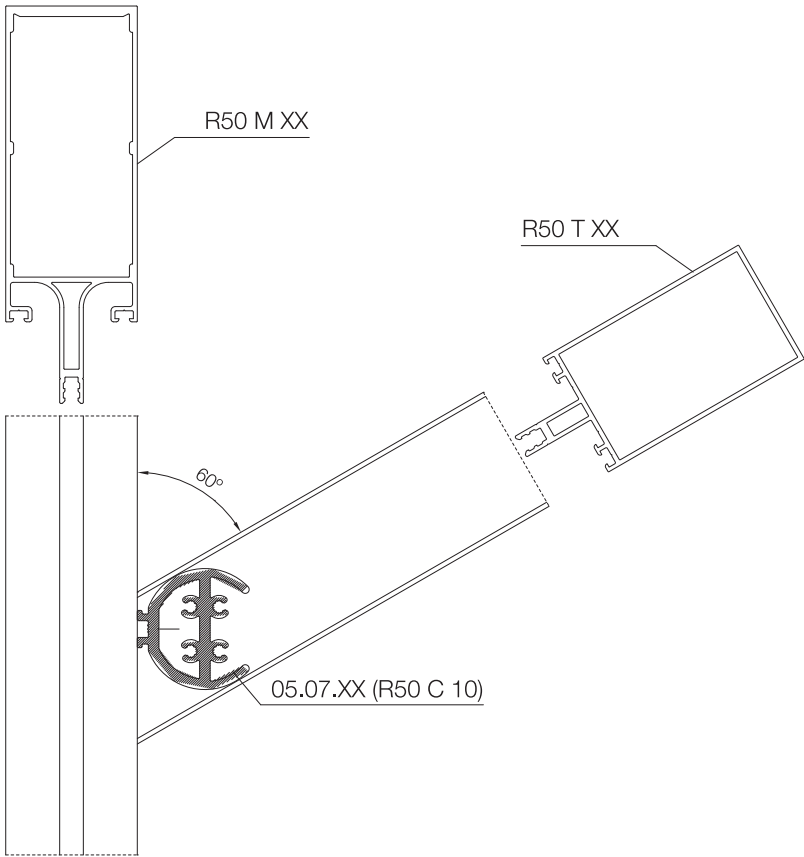
ÇİZİM DRAWING	AKSESUAR KODU ACCESSORIES CODE	PROFİL PROFILE	KESİM ÖLÇÜSÜ CUTTING SIZE	MALZEME MATERIAL
	04.17.02	R50 T 02 R50 T 13	L=44 mm	PVC
	04.17.03	R50 T 03	L=54 mm	PVC
	04.17.04	R50 T 04 R50 T 18	L=80 mm	PVC
	04.17.05	R50 T 05	L=100 mm	PVC
	04.17.06	R50 T 06 R50 T 14	L=120 mm	PVC

\*04.17.XX KODLU PVC CONTALAR KULLANILDIĞINDA 01.04.01 BİTİŞ FİTİLİNİN KULLANILMASINA GEREK YOKTUR.  
IT IS NOT NECESSARY TO USE GASKET 01.14.01 WHEN USING PLUGS 04.17.XX

\*KANAT OLAN BÖLÜMLERDE VE DİKME - KAYIT HEMYÜZ OLDUĞUNDA EPDM CONTA KULLANILMALIDIR.  
EPDM PLUGS SHOULD BE USED IN THE PARTS WITH VENTS

**AÇILI YATAY KAYIT BAĞLANTILARI**  
**TRANSOM CONNECTION PIECES FOR ANGLE**

**R50**

çizim DRAWING	AKSESUAR KODU ACCESSORY CODE	PROFİL PROFILE	KESİM ÖLÇÜSÜ CUTTING SIZE
	05.07.01	R50 T 01	L=20,7 mm
	05.07.02	R50 T 02 R50 T 13	L=41,9 mm
	05.07.03	R50 T 03	L=51,9 mm
	05.07.04	R50 T 04 R50 T 18	L=77,8 mm
	05.07.05	R50 T 05	L=97,8 mm
	05.07.06	R50 T 06	L=115,8 mm
	05.07.07	R50 T 15	L=66,6 mm
	05.07.08	R50 T 16	L=97,6 mm
	05.07.09	R50 T 17	L=137,8 mm
	05.07.10	R50 T 14	L=117,7 mm

01

02

03

04

05

06

07

08

09

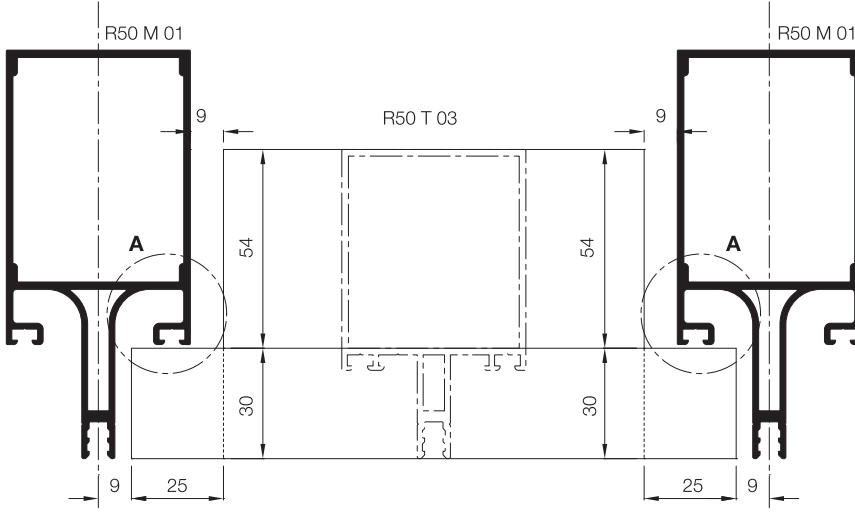
10

# YATAY KAYIT KESİM ÖLÇÜLERİ TRANSOM CONNECTION PIECES FOR ANGLE

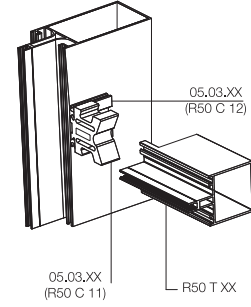
# R50

01

YATAY KAYIT KESİM ÖLÇÜLERİ (R50 C 11 İLE)  
TRANSOM CUTTING DIMENSIONS (WITH R50 C 11)



03.04.07.TXX



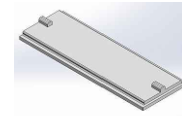
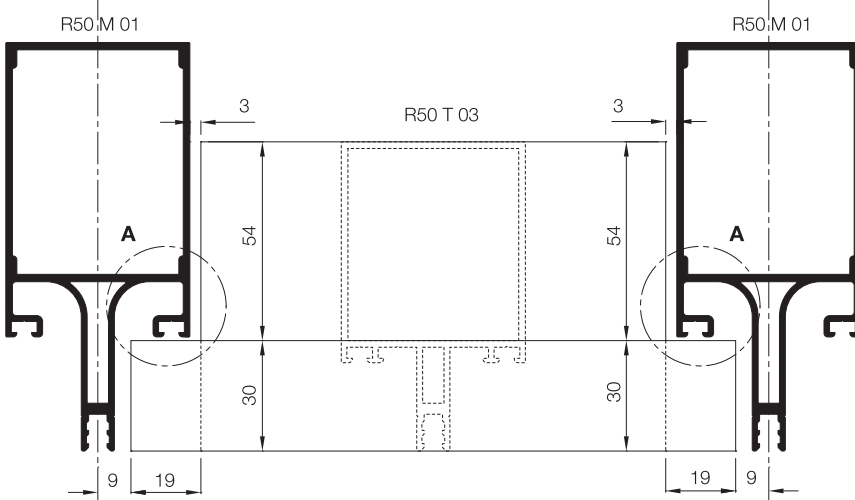
02

03

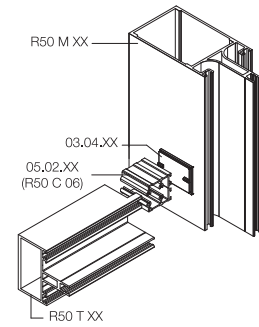
04

05

YATAY KAYIT KESİM ÖLÇÜLERİ (R50 C 06 İLE)  
TRANSOM CUTTING DIMENSIONS (WITH R50 C 06)



03.04.XX



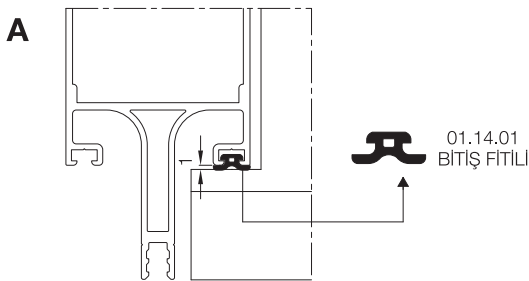
06

07

08

09

10

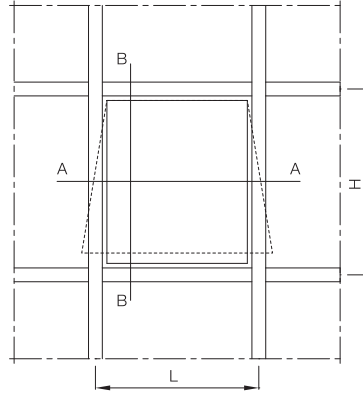
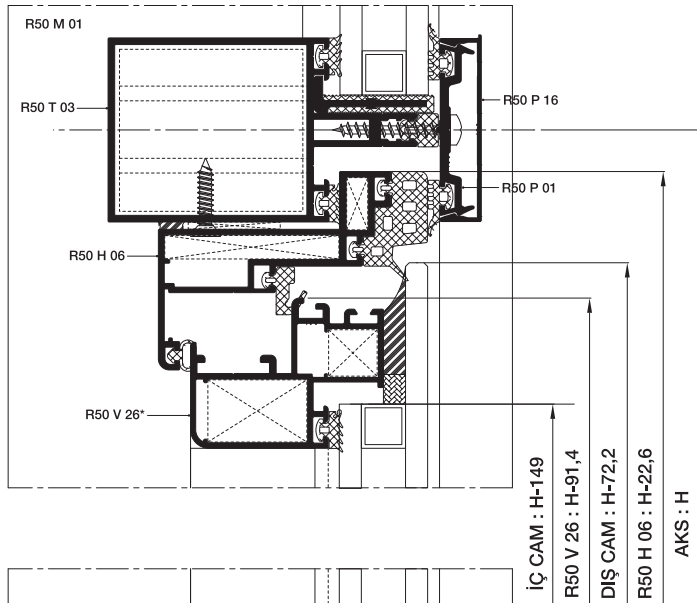
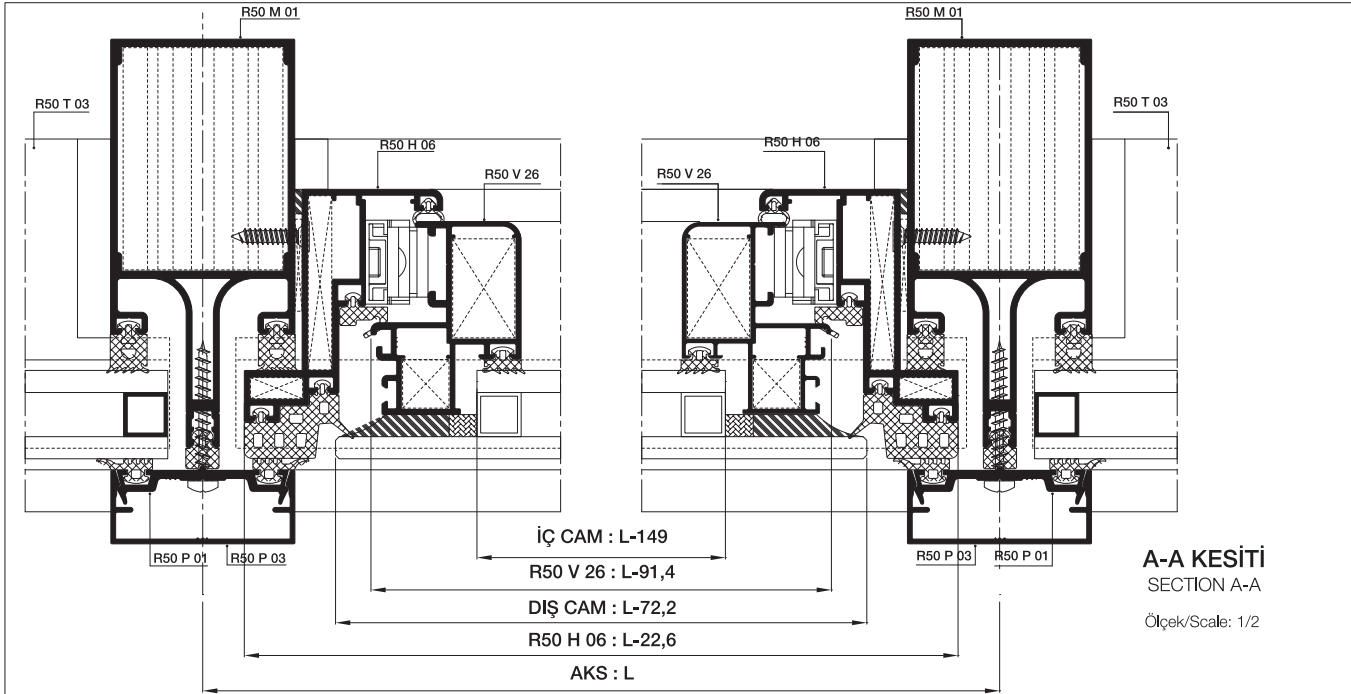


Ölçek/Scale: 1/2



# KAPAKLI CEPHE KESİM ÖLÇÜLERİ CUTTING SIZES FOR CURTAIN WALL

# R50



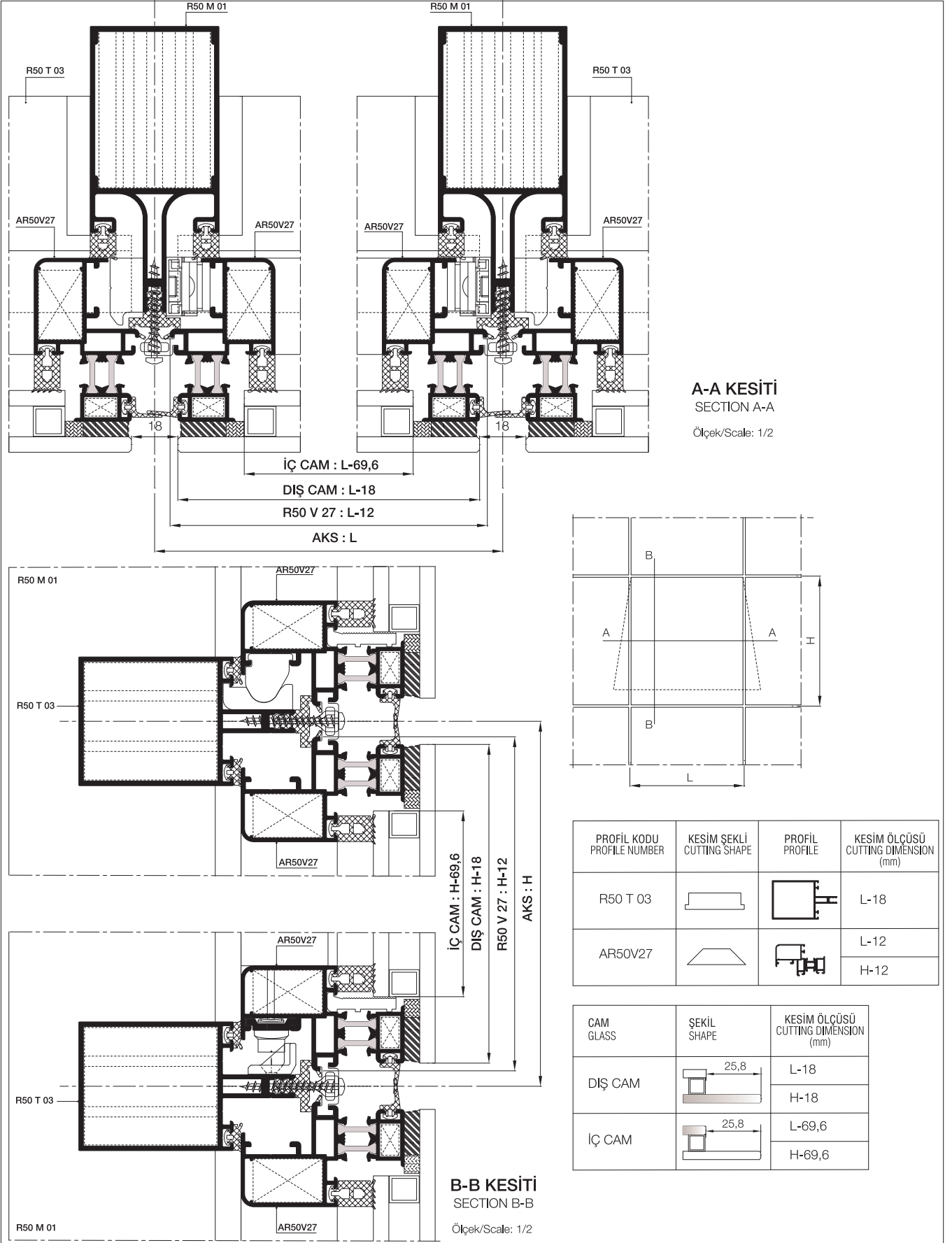
PROFİL KODU PROFILE NUMBER	KESİM ŞEKLİ CUTTING SHAPE	PROFİL PROFILE	KESİM ÖLÇÜSÜ CUTTING DIMENSION
R50 T 03			L-18
R50 H 06			L-22,6 H-22,6
R50 V 26			L-91,4 H-91,4

CAM GLASS	ŞEKİL SHAPE	KESİM ÖLÇÜSÜ CUTTING DIMENSION
DIŞ CAM		L-72,2 H-72,2
İÇ CAM		L-149 H-149

# KASETLİ SİLİKON CEPHE KESİM ÖLÇÜLERİ

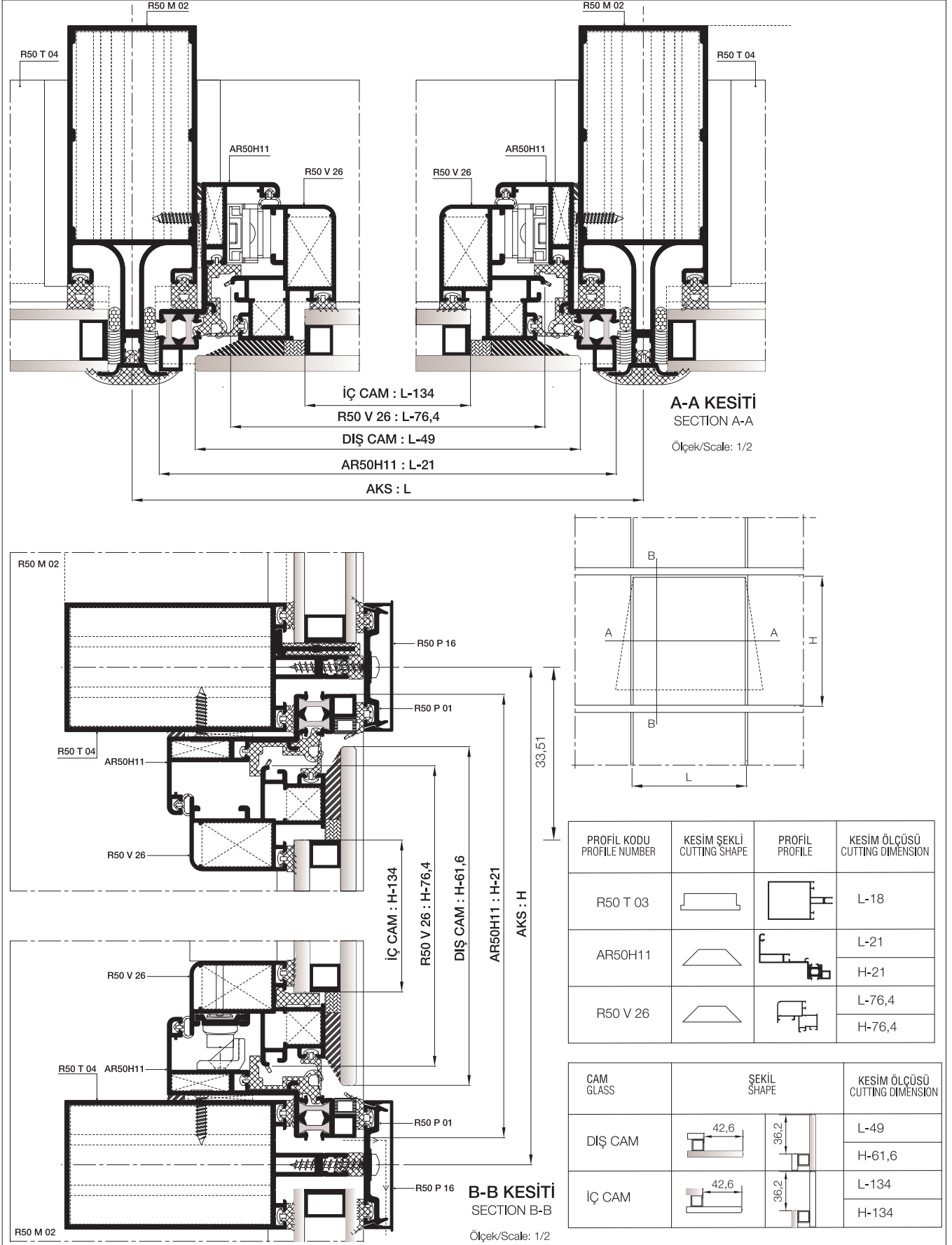
## CUTTING SIZES FOR CURTAIN WALL

# R50



# YARI KAPAKLI CEPHE KESİM ÖLÇÜLERİ CUTTING SIZES FOR TWO SIDE CURTAIN WALL

# R50



01

02

03

04

05

06

07

08

09

10



# MİMARİ KATALOG

## ARCHITECTURAL CATALOGUE

Alüminyum Kapı Pencere ve Giydirme Cephe Sistemleri  
Aluminium Window Doors and Facade Systems



Rescara Sistem Detayları  
Rescara System Details

# R50

DETAYLAR

DETAILS

KAPAKLI CEPHE SİSTEMİ

COVER CAP SYSTEM

01

02

03

04

05

06

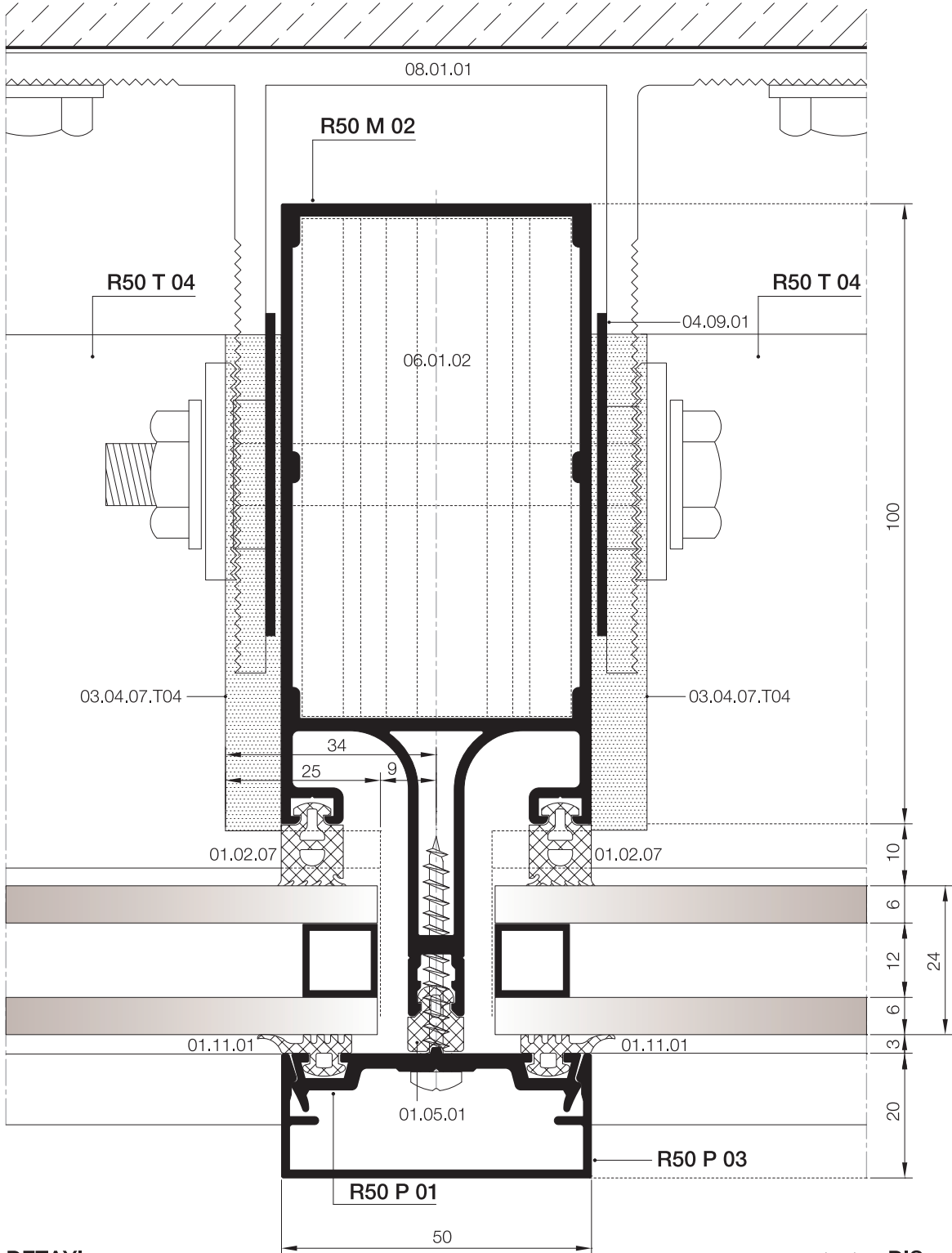
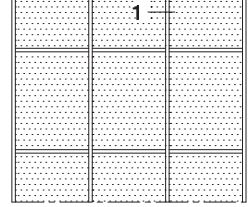
07

08

09

10

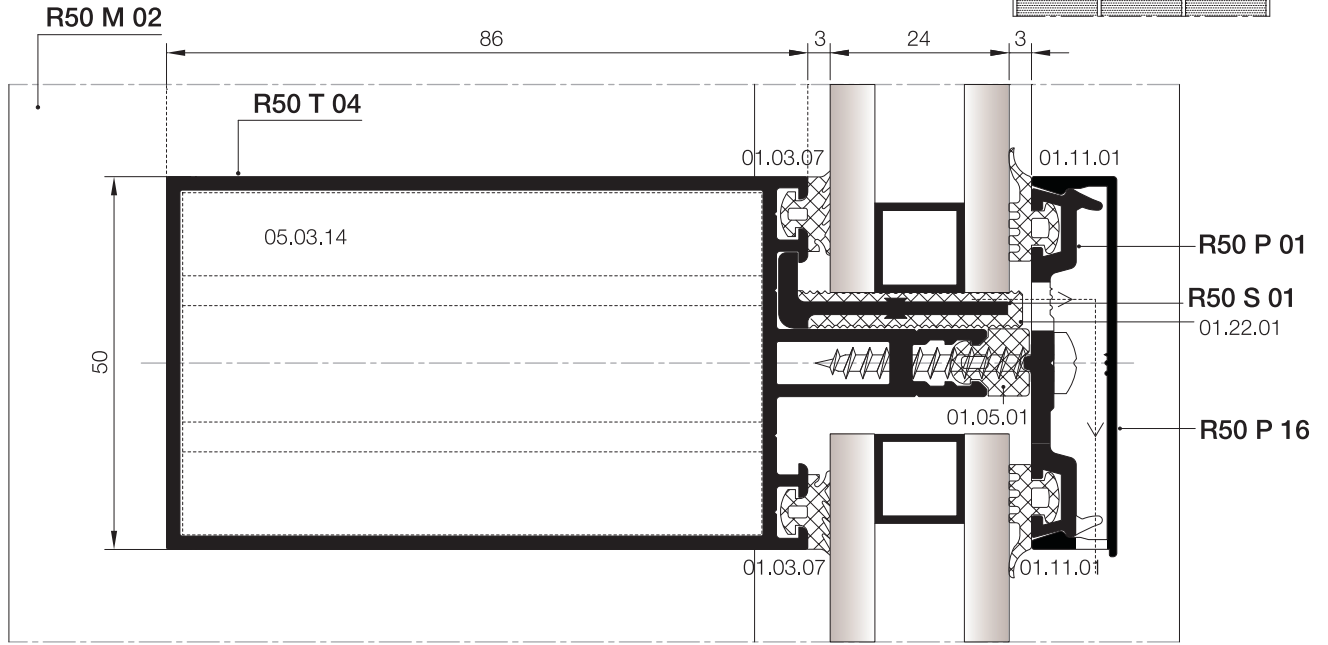
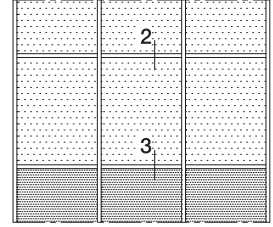
**KAPAKLI CEPHE DÜŞEY DETAYI**  
CURTAIN WALL VERTICAL DETAIL



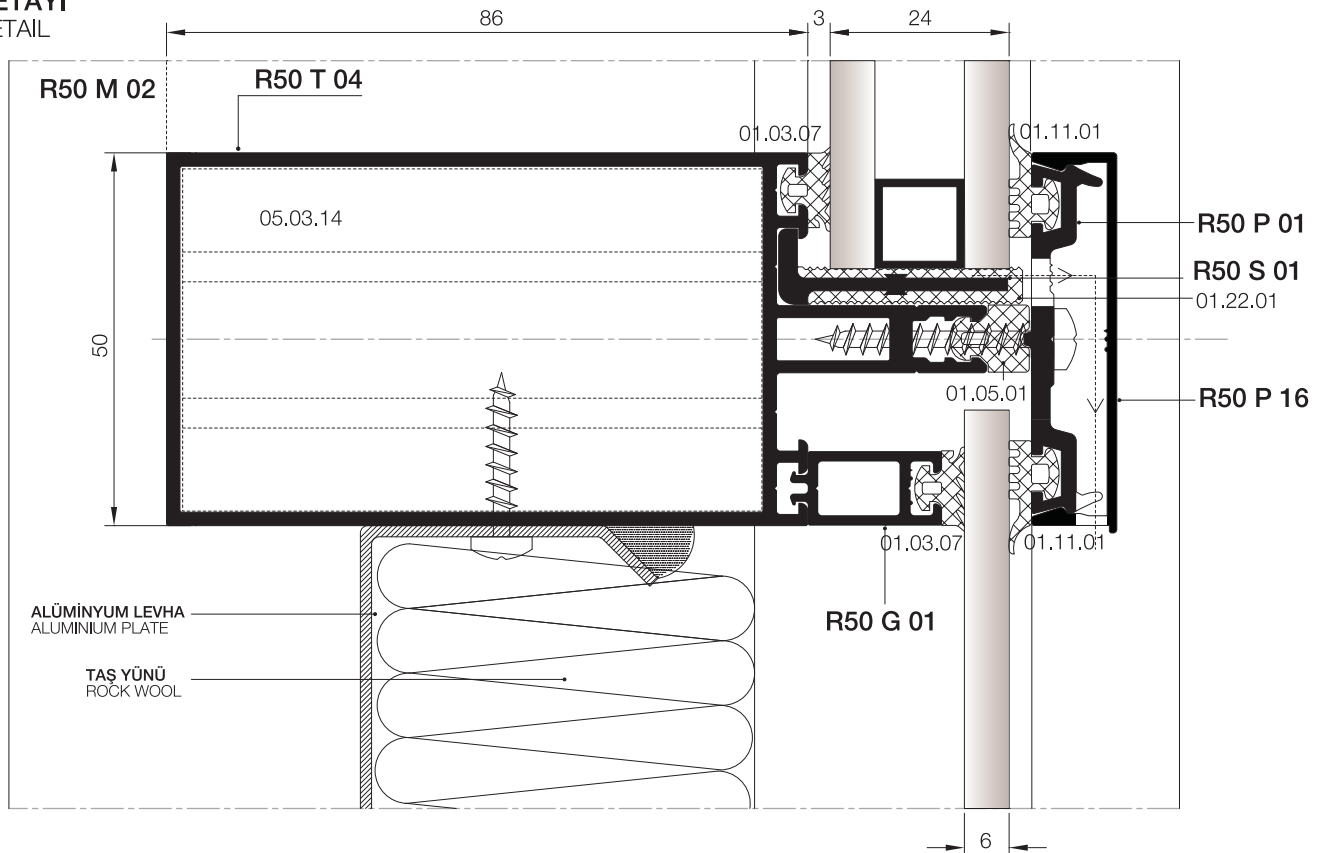
① DETAYI  
DETAIL

▼ DIŞ  
(OUTSIDE)

KAPAKLI CEPHE YATAY DETAYI  
CURTAIN WALL HORIZONTAL DETAIL



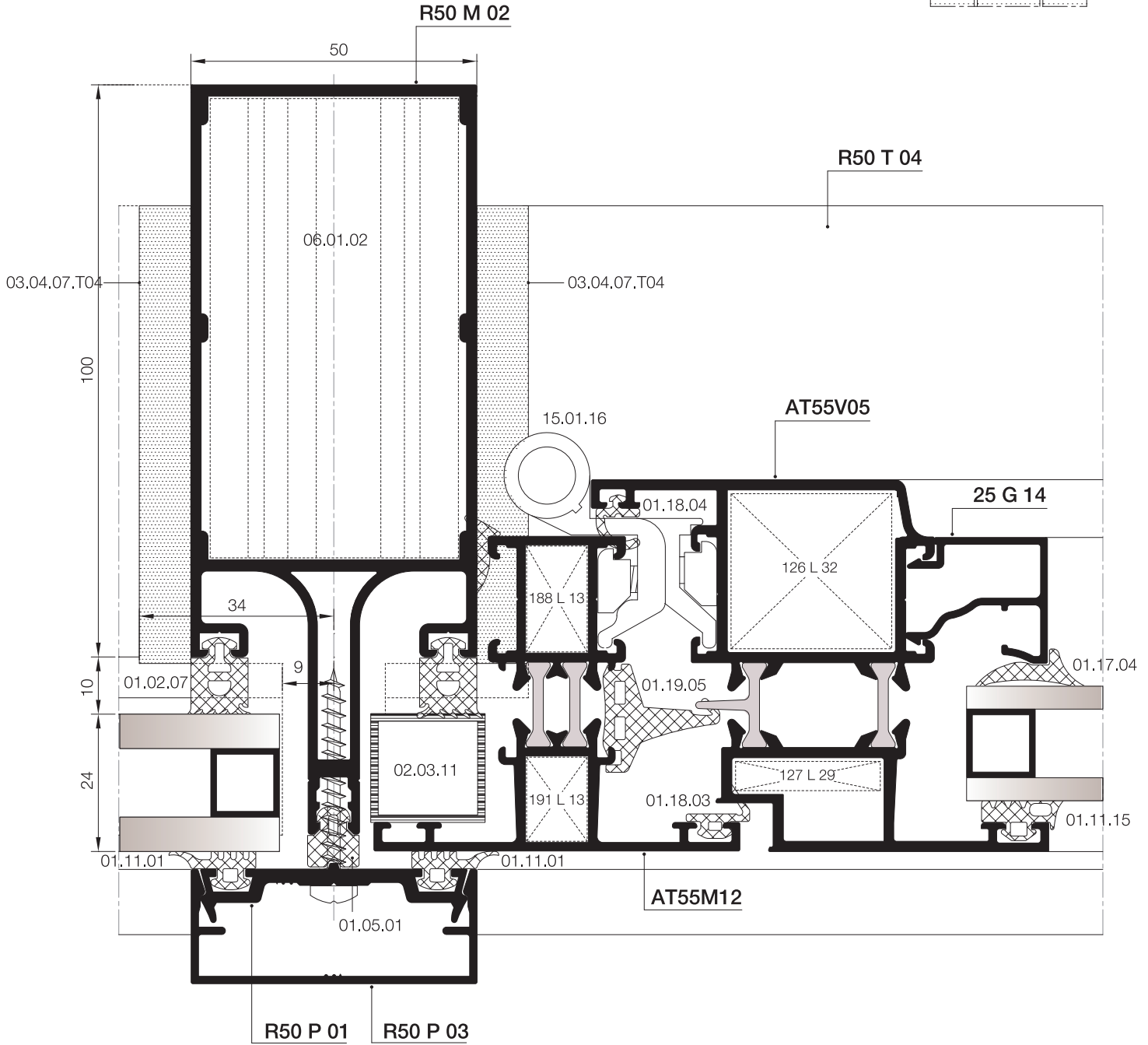
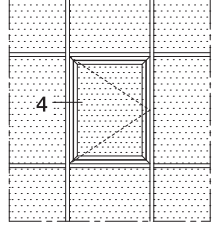
② DETAYI  
DETAIL



③ DETAYI  
DETAIL

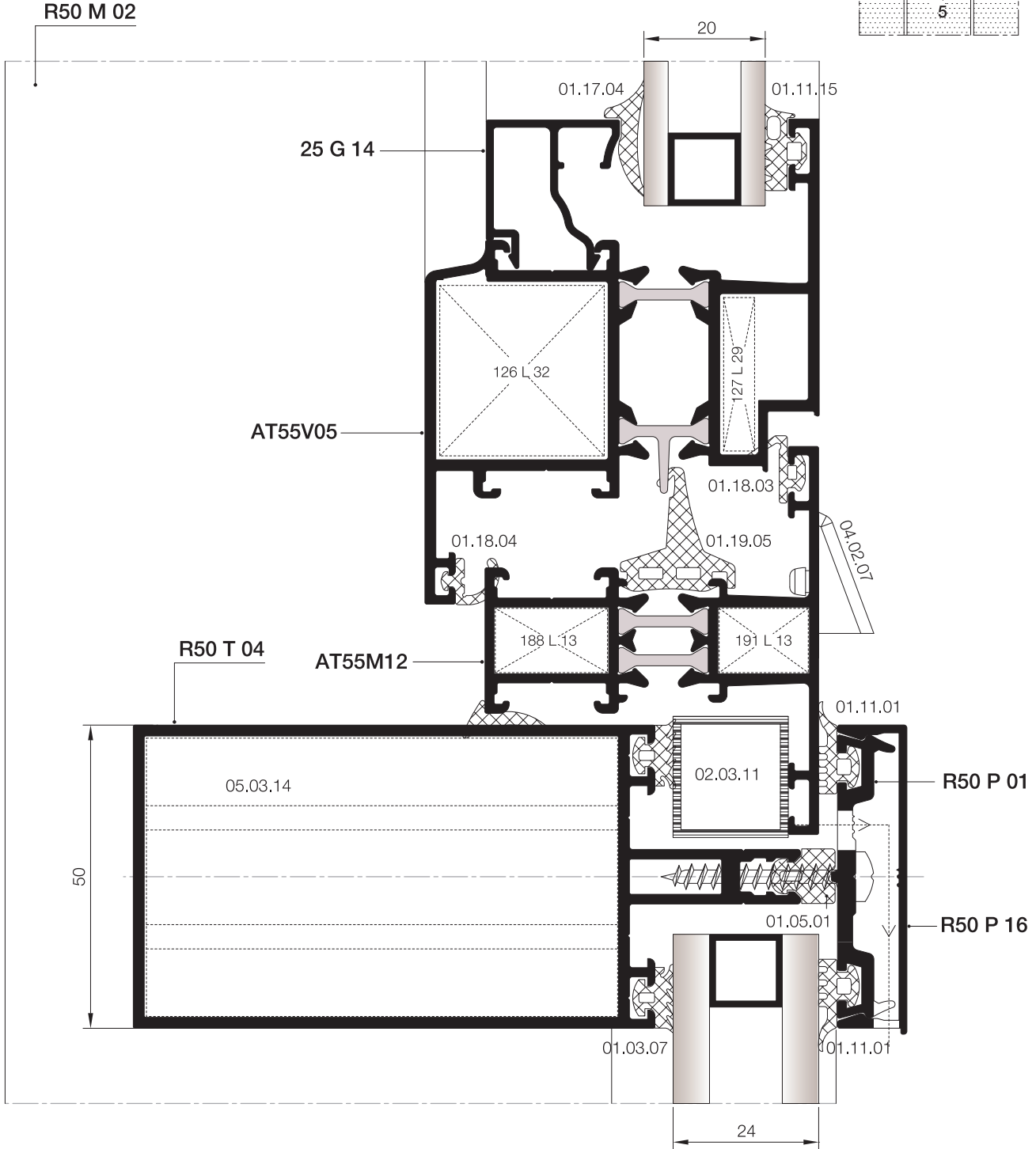
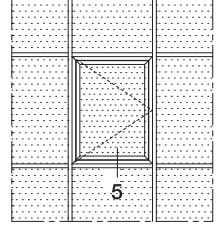
DIŞ  
(OUTSIDE) ➔

KAPAKLI CEPHE İÇİNDE AÇILIR KANAT DETAYI  
VENT DETAIL FOR CURTAIN WALL

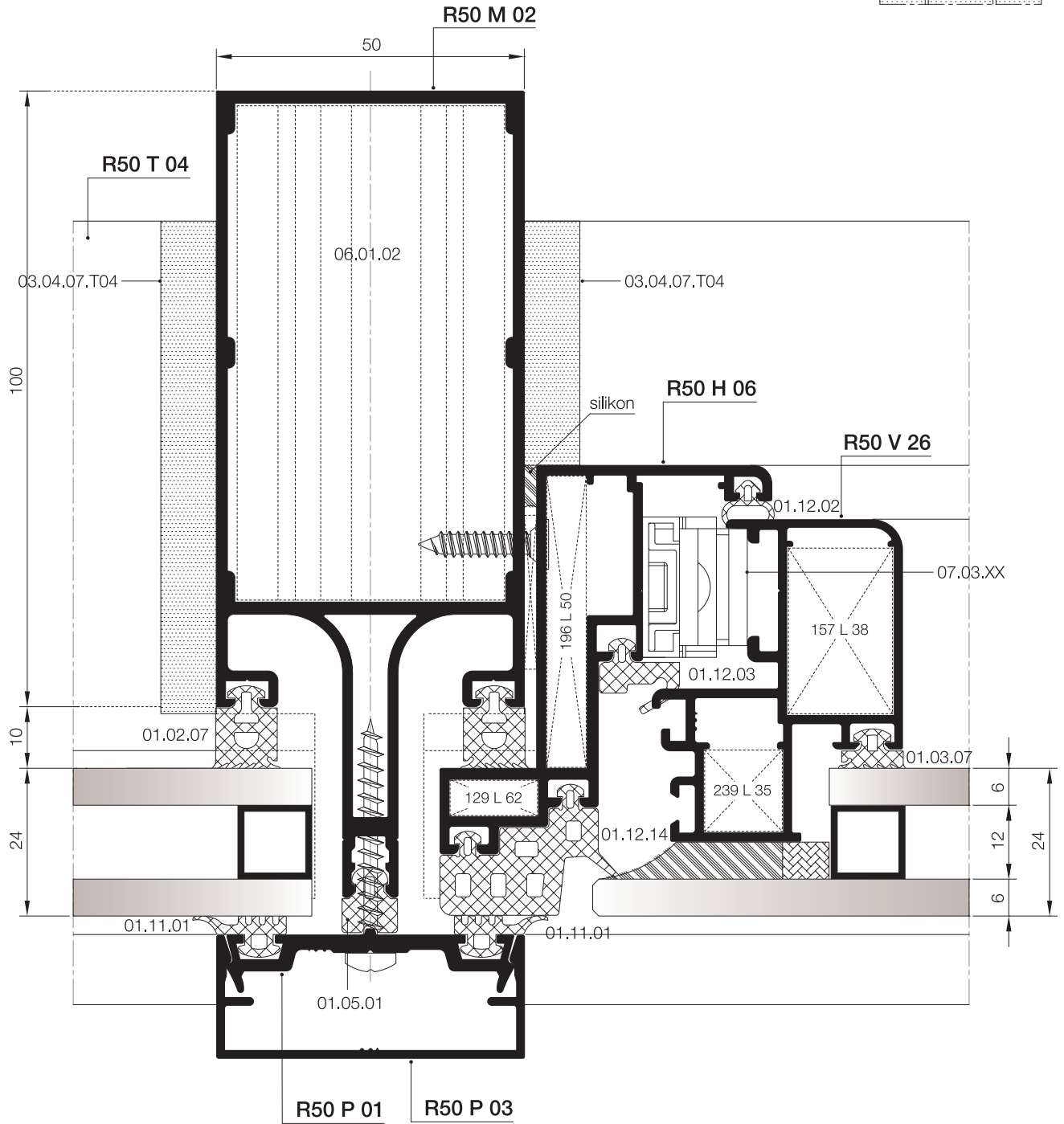
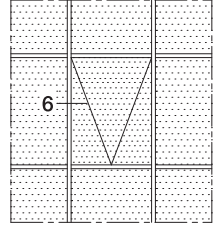




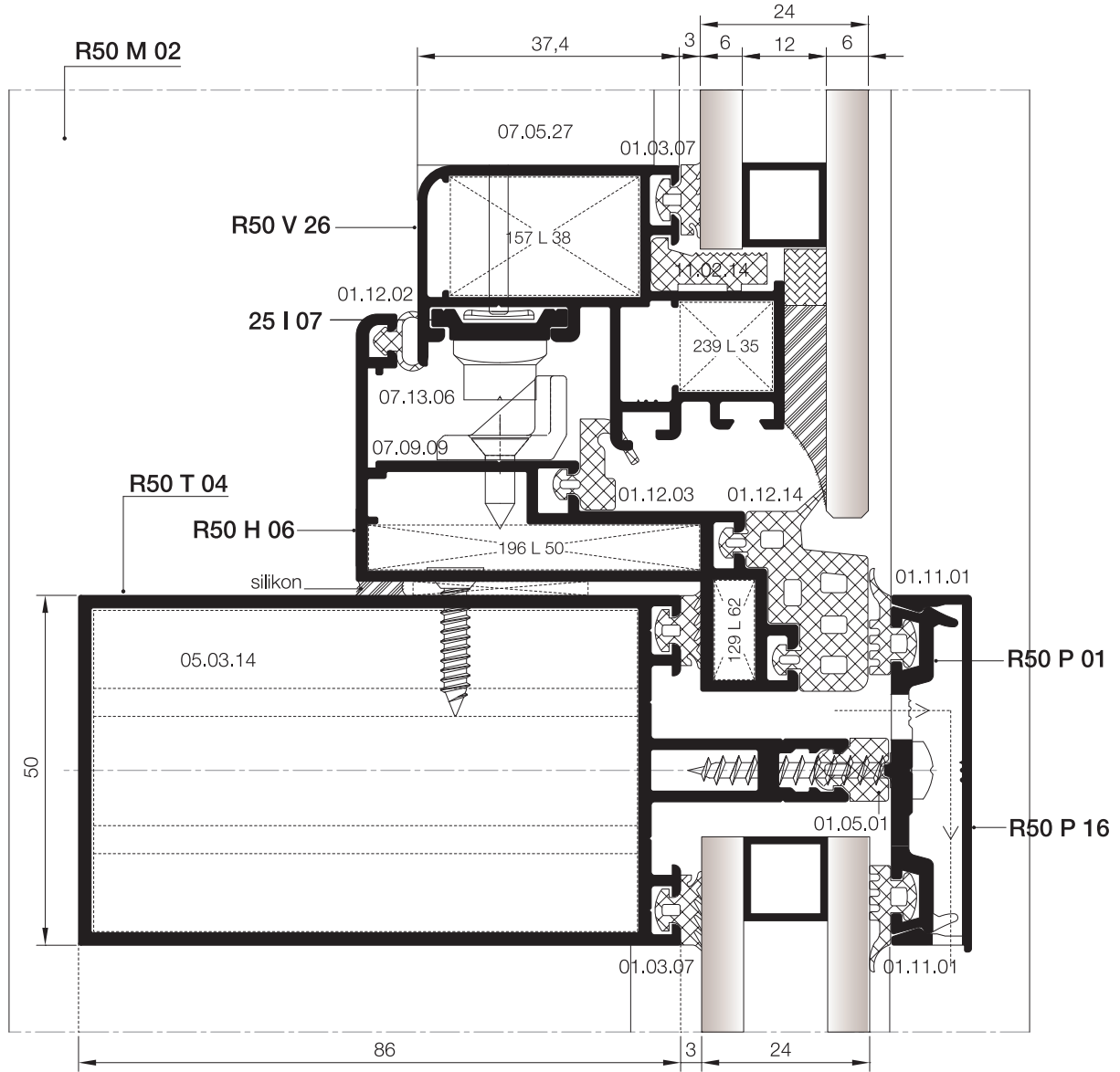
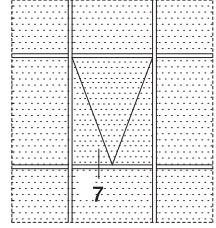
KAPAKLI CEPHE İÇİNDE AÇILIR KANAT DETAYI  
VENT DETAIL FOR CURTAIN WALL



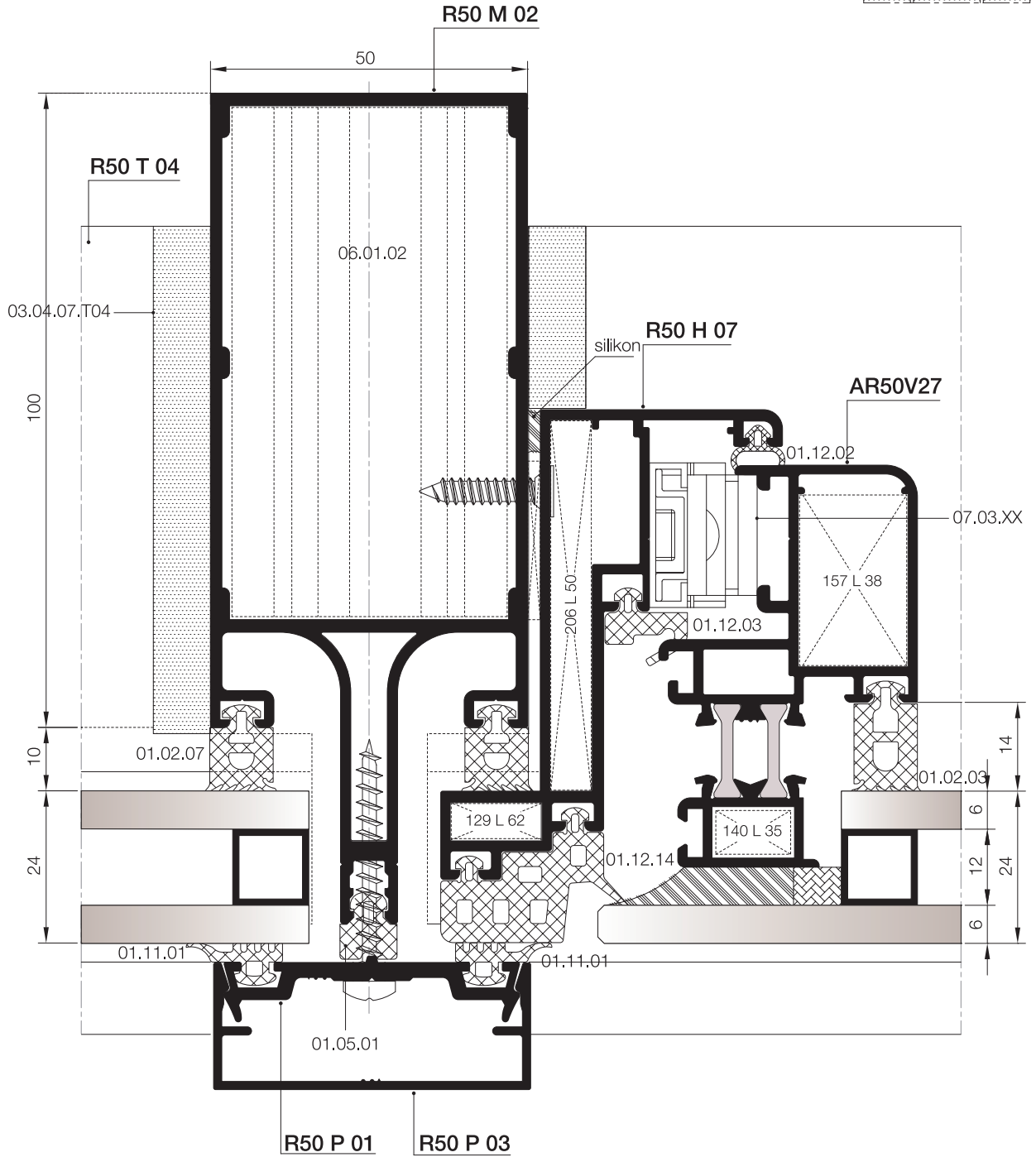
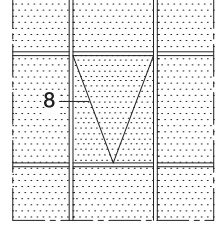
KAPAKLI CEPHE GİZLİ KANAT DÜŞEY DETAYI  
HIDDEN VENT DETAIL FOR CURTAIN WALL



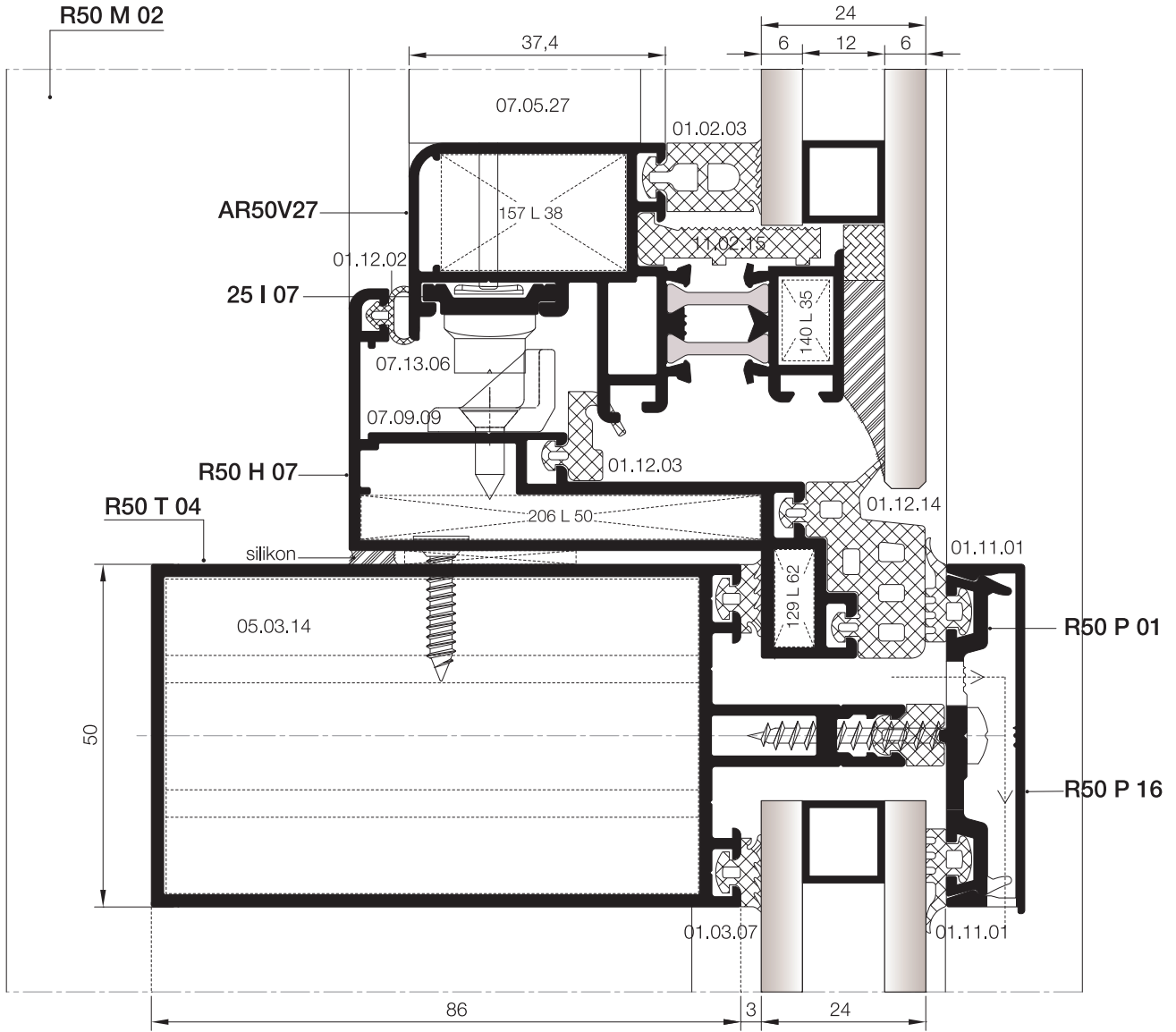
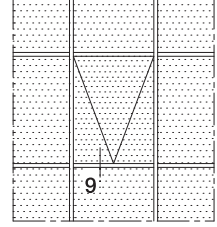
KAPAKLI CEPHE GİZLİ KANAT YATAY DETAYI  
HIDDEN VENT DETAIL FOR CURTAIN WALL



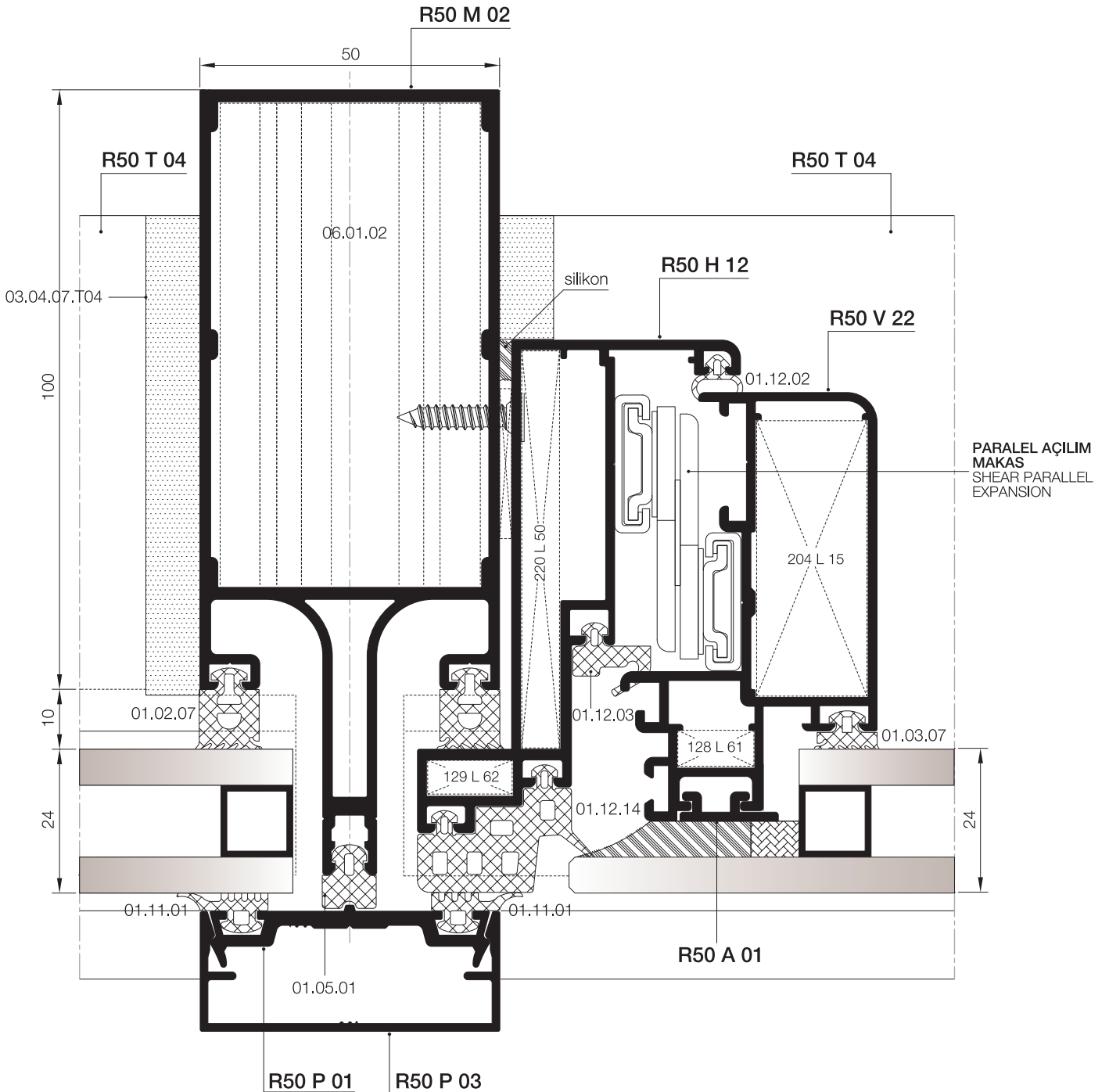
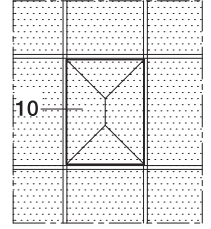
KAPAKLI CEPHE YALITIMLI GİZLİ KANAT DÜŞEY DETAYI  
INSULATED HIDDEN VENT DETAIL FOR CURTAIN WALL



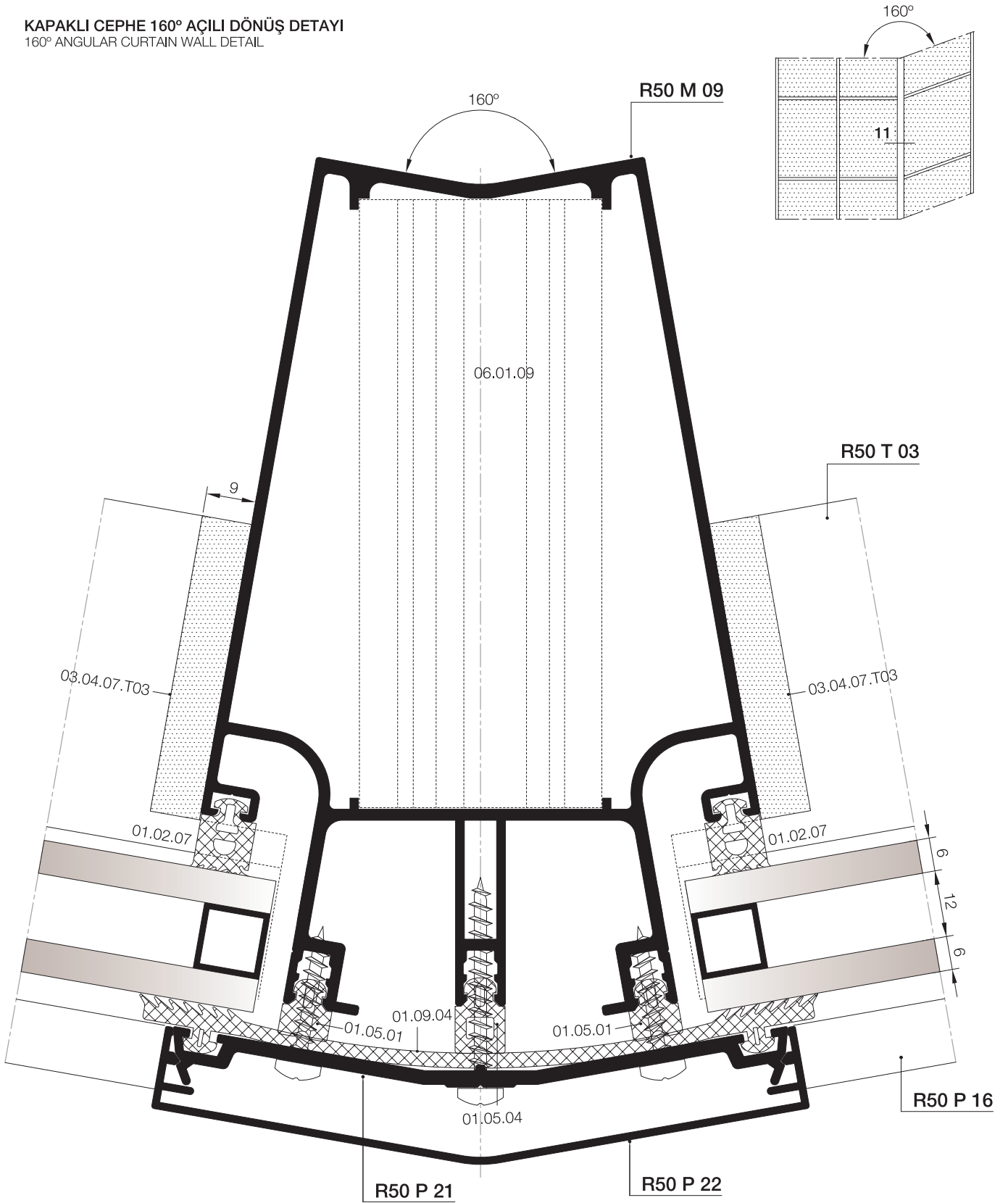
KAPAKLI CEPHE YALITIMLI GİZLİ KANAT YATAY DETAYI  
INSULATED HIDDEN VENT DETAIL FOR CURTAIN WALL



KAPAKLI CEPHE PARALEL AÇILIM GİZLİ KANAT DETAYI  
PARALLEL OPENING HIDDEN VENT DETAIL FOR CURTAIN WALL



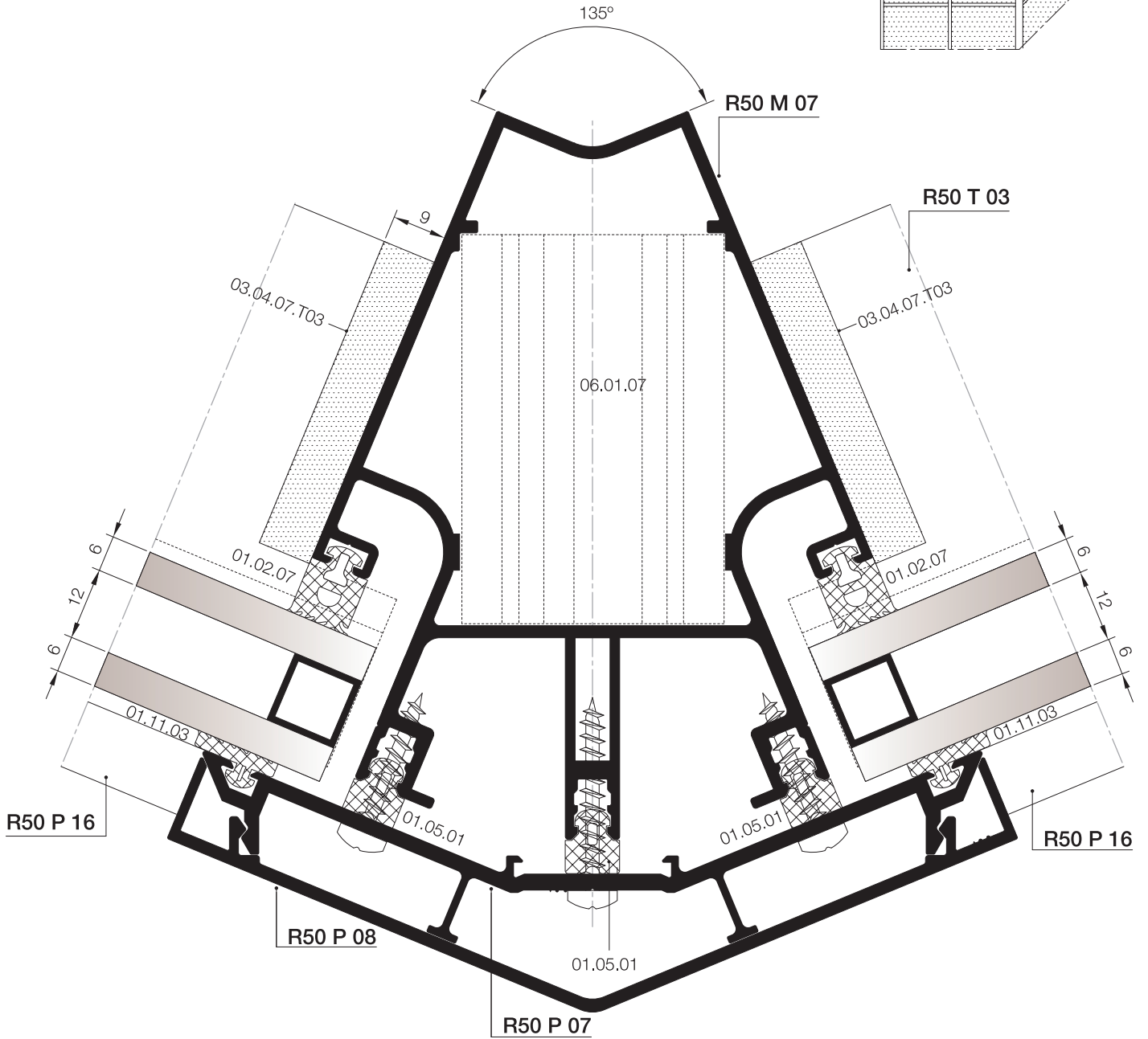
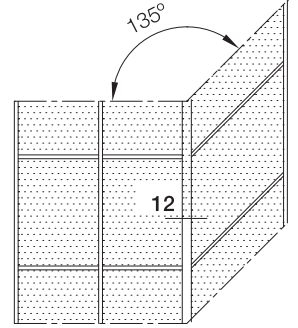
KAPAKLI CEPHE 160° AÇILI DÖNÜŞ DETAYI  
160° ANGULAR CURTAIN WALL DETAIL



11 DETAYI  
DETAIL

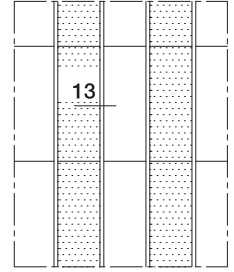
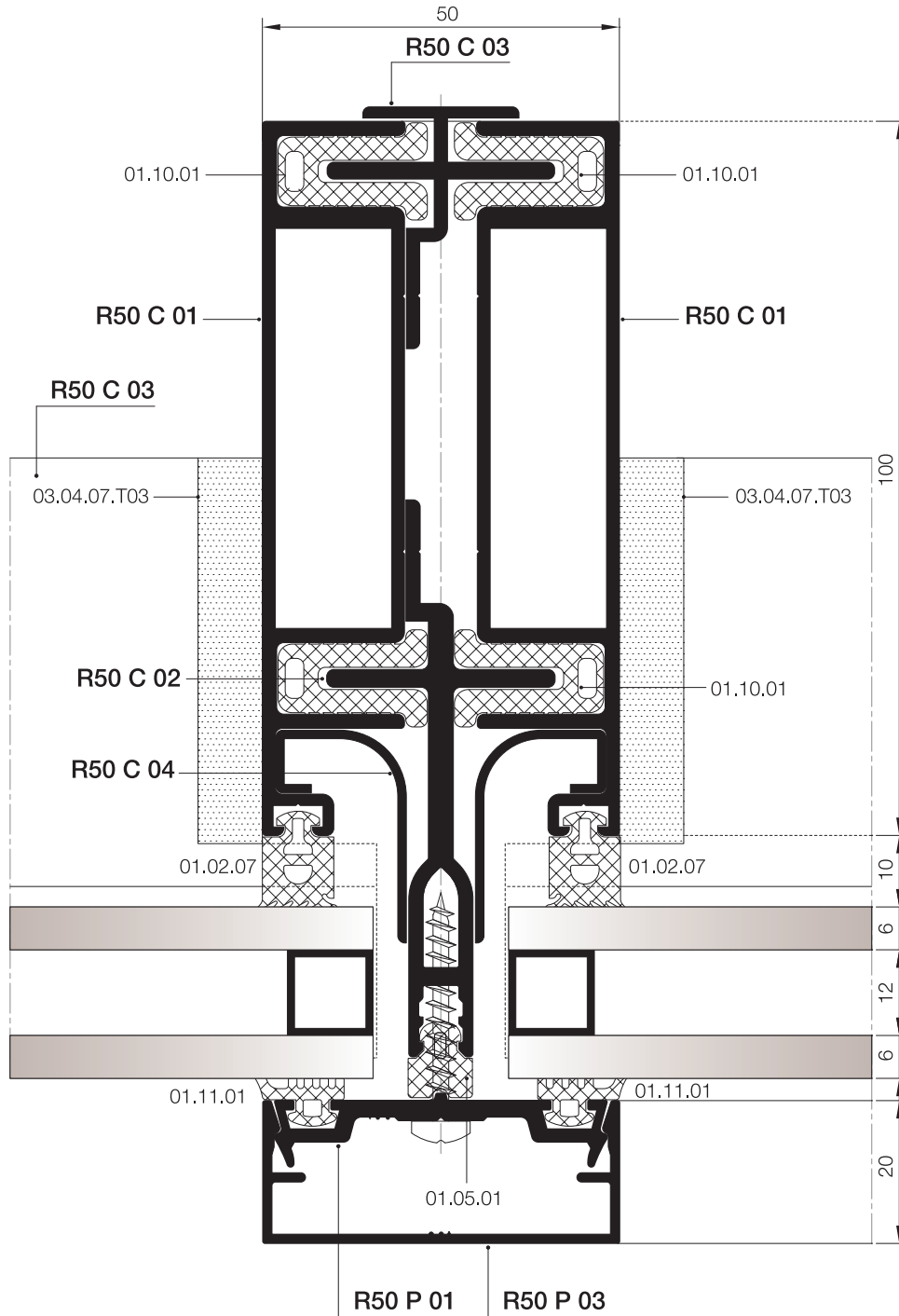
DIŞ  
(OUTSIDE)

KAPAKLI CEPHE 135° AÇILI DÖNÜŞ DETAYI  
135° ANGULAR CURTAIN WALL DETAIL

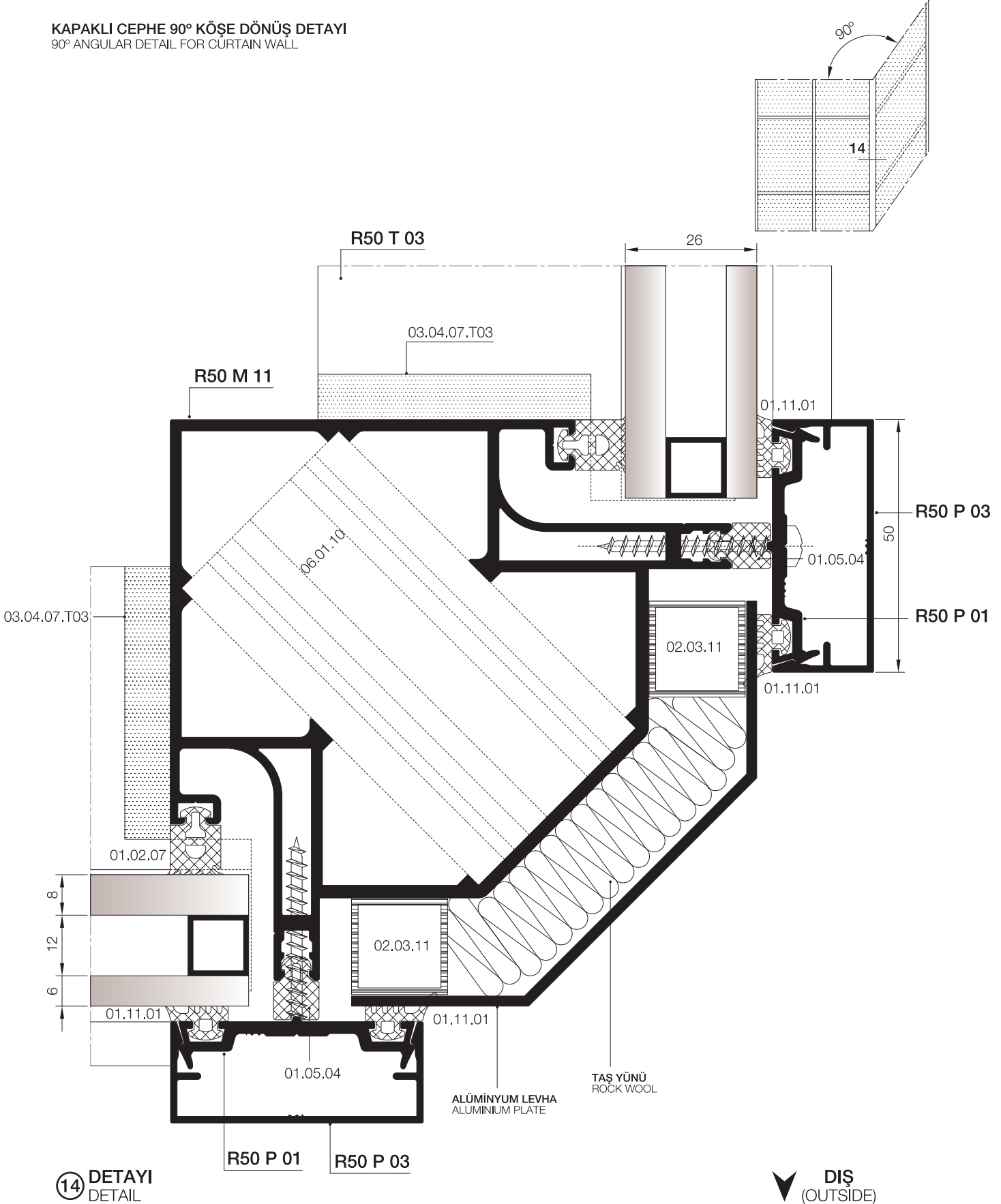




KAPAKLI CEPHE DİLETASYON DETAYI  
DILETATION DETAIL FOR CURTAIN WALL



KAPAKLI CEPHE 90° KÖŞE DÖNÜŞ DETAYI  
90° ANGULAR DETAIL FOR CURTAIN WALL



14 DETAYI  
DETAIL

DIŞ  
(OUTSIDE)

# MİMARİ KATALOG

## ARCHITECTURAL CATALOGUE

Alüminyum Kapı Pencere ve Giydirme Cephe Sistemleri  
Aluminium Window Doors and Facade Systems



Rescara Sistem Detayları  
Rescara System Details

# R50

DETAYLAR

DETAILS

ÇELİK TAKVİYELİ CEPHE SİSTEMİ

STEEL REINFORCEMENT SYSTEM

01

02

03

04

05

06

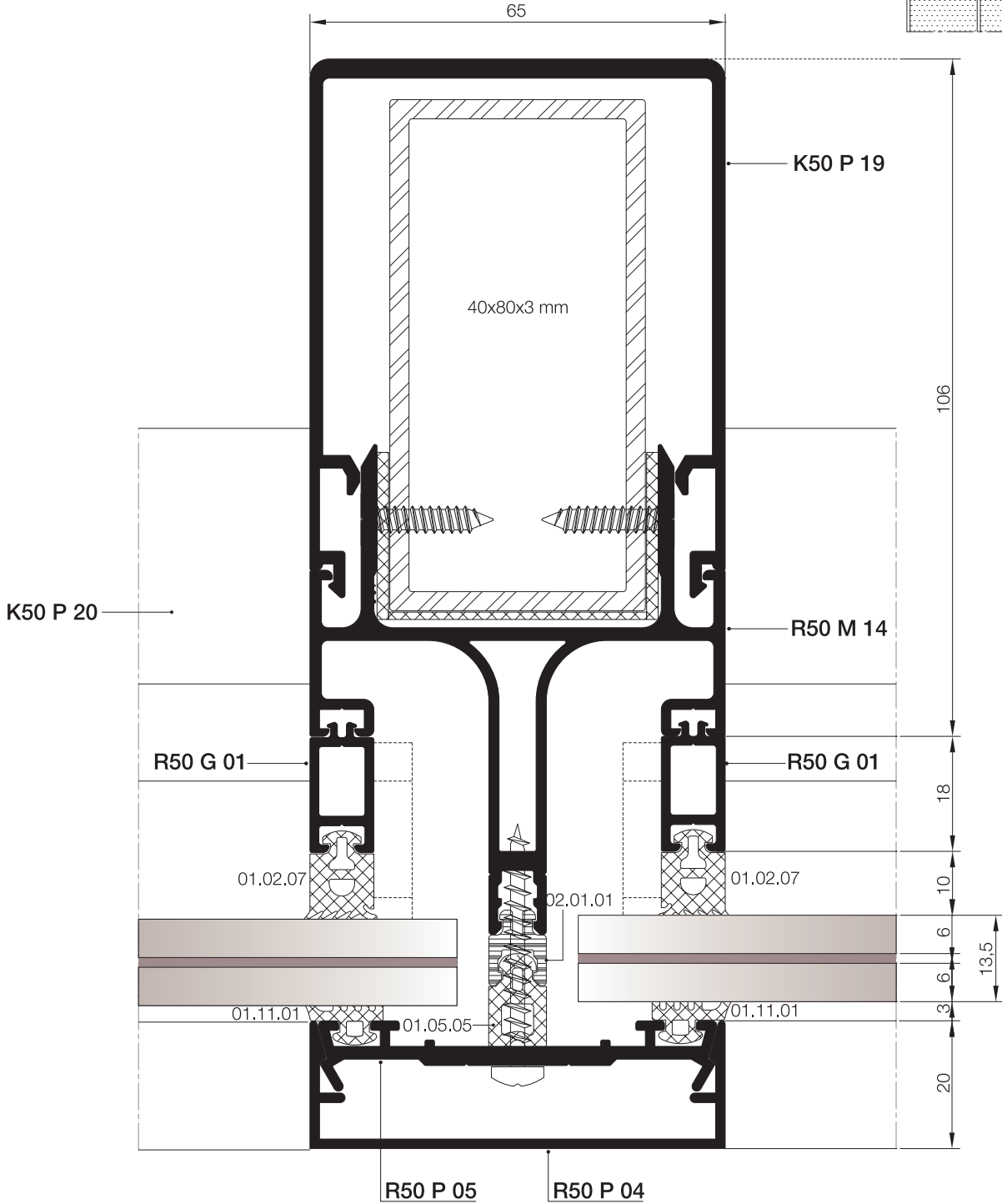
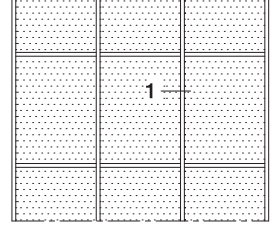
07

08

09

10

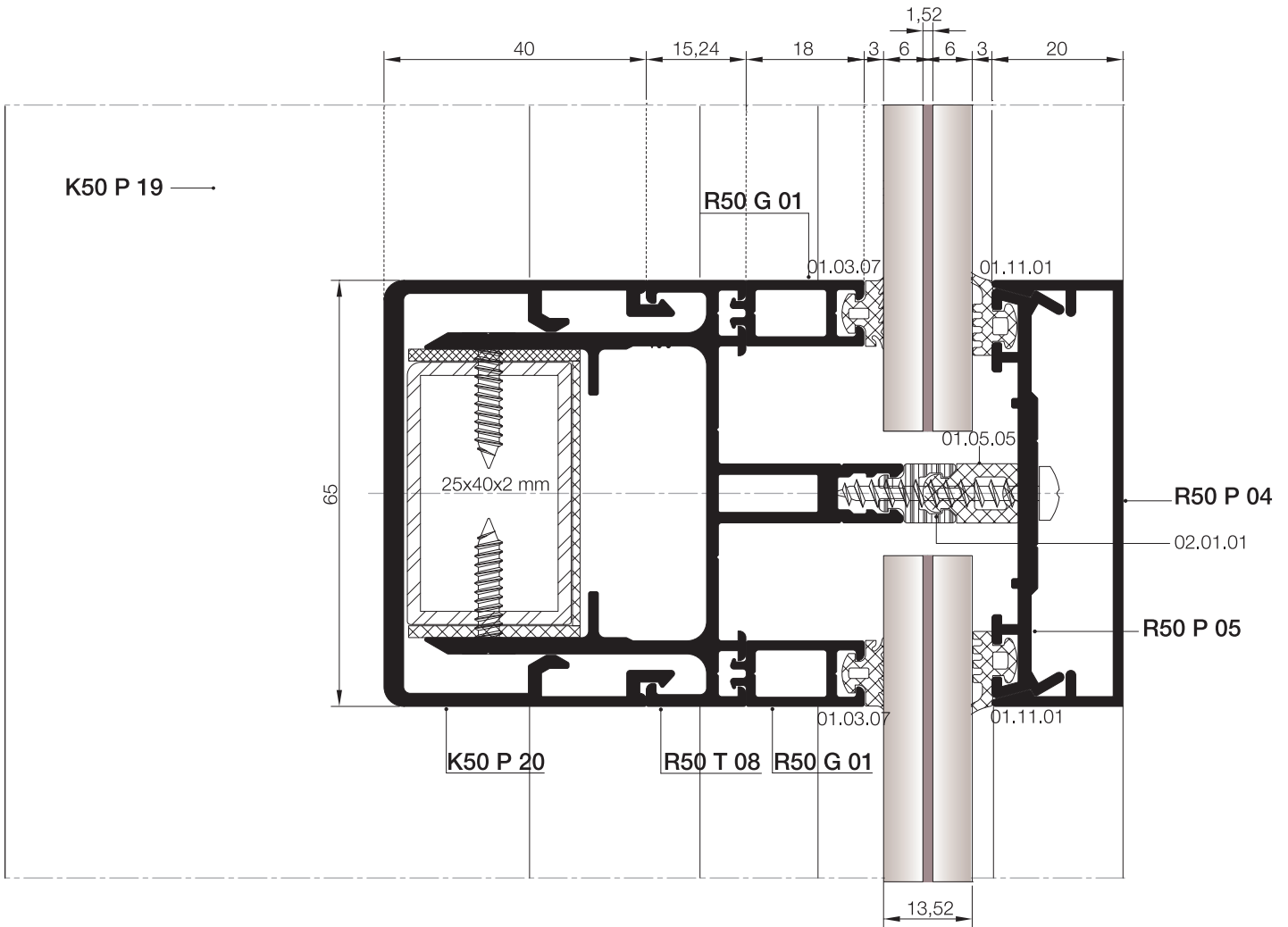
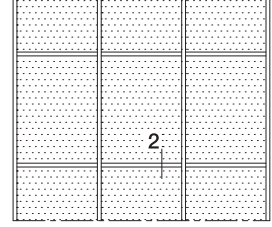
ÇELİK TAKVİYELİ CEPHE DÜŞEY DETAYI  
STEEL REINFORCEMENT SYSTEM VERTICAL DETAIL



① DETAYI  
DETAIL

▼ DIŞ  
(OUTSIDE)

ÇELİK TAKVİYELİ CEPHE YATAY DETAYI  
STEEL REINFORCEMENT SYSTEM HORIZONTAL DETAIL



01

02

03

04

05

06

07

08

09

10

② DETAYI  
DETAIL

DIŞ  
(OUTSIDE) ➔



# MİMARİ KATALOG

## ARCHITECTURAL CATALOGUE

Alüminyum Kapı Pencere ve Giydirme Cephe Sistemleri  
Aluminium Window Doors and Facade Systems



Rescara Sistem Detayları  
Rescara System Details

# R50

DETAYLAR

DETAILS

SİLİKON CEPHE SİSTEMİ

STRUCTURAL GLAZING SYSTEM

01

02

03

04

05

06

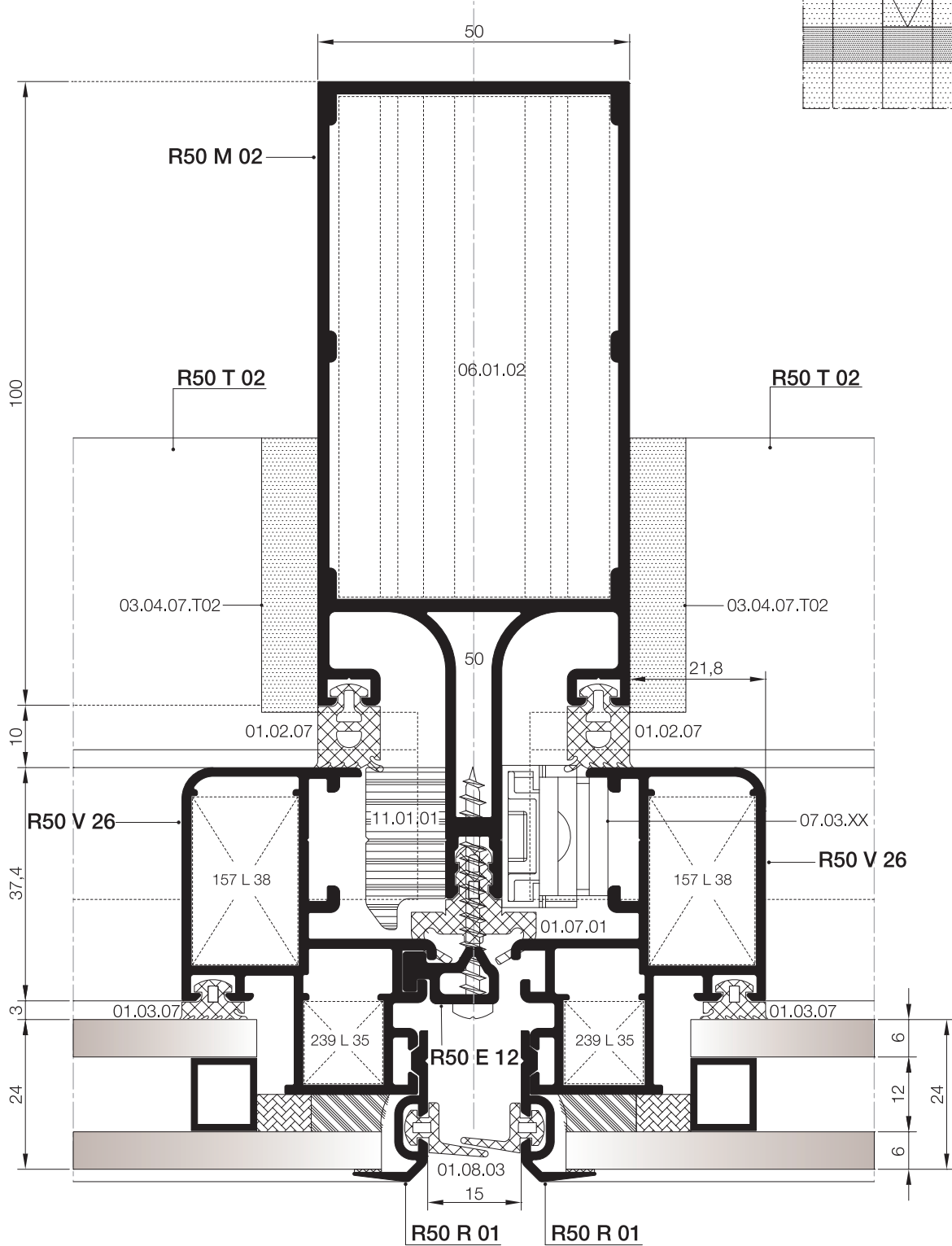
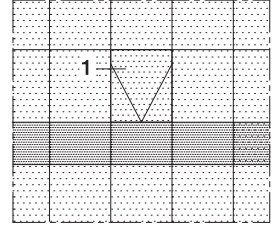
07

08

09

10

SİLİKON CEPHE DÜŞEY DETAYI  
STRUCTURAL GLAZING VERTICAL DETAIL

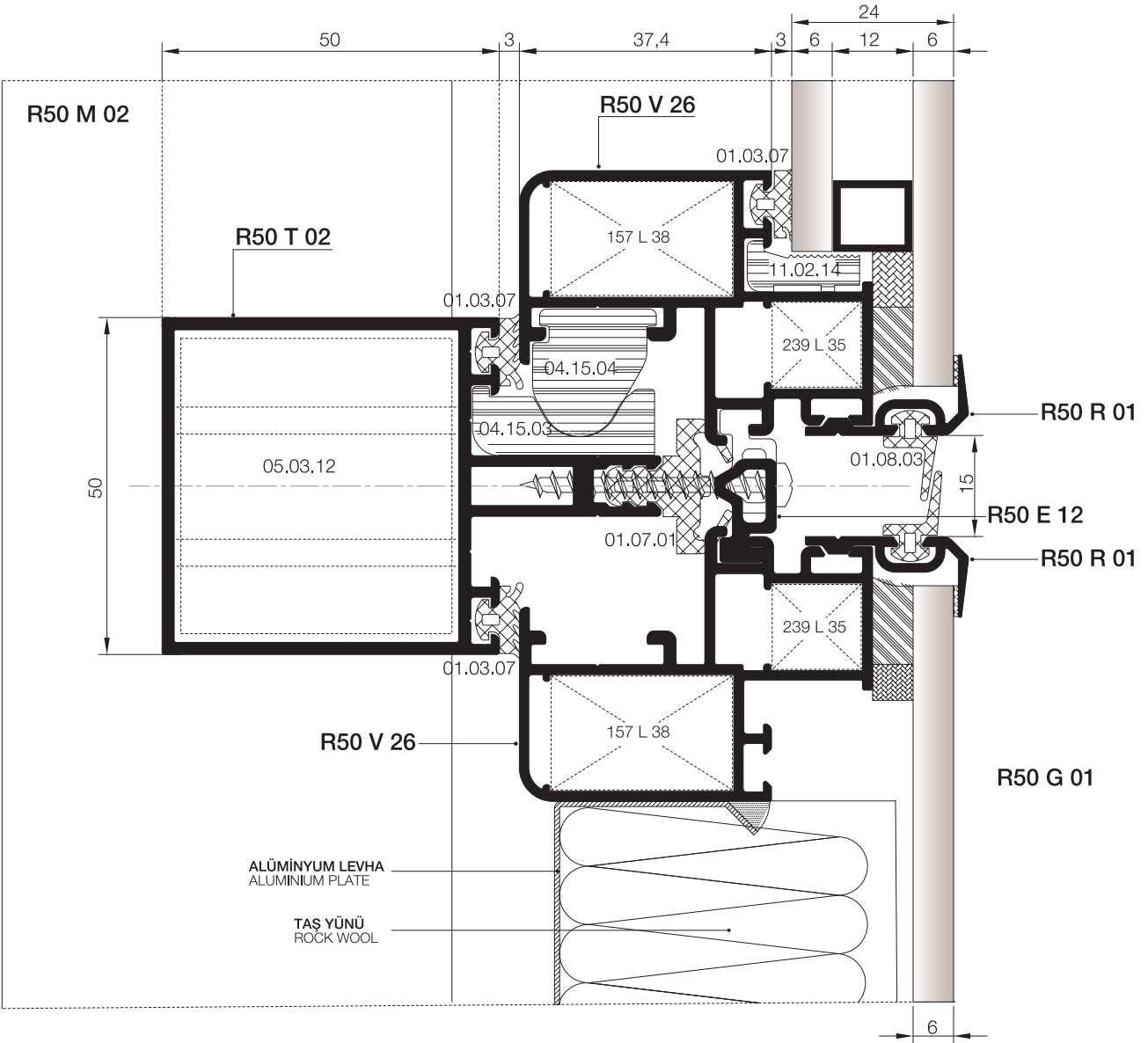
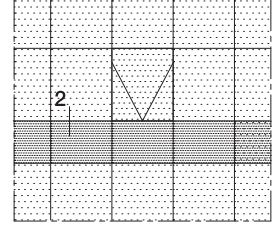


① DETAYI  
DETAIL

▼ DIŞ  
(OUTSIDE)



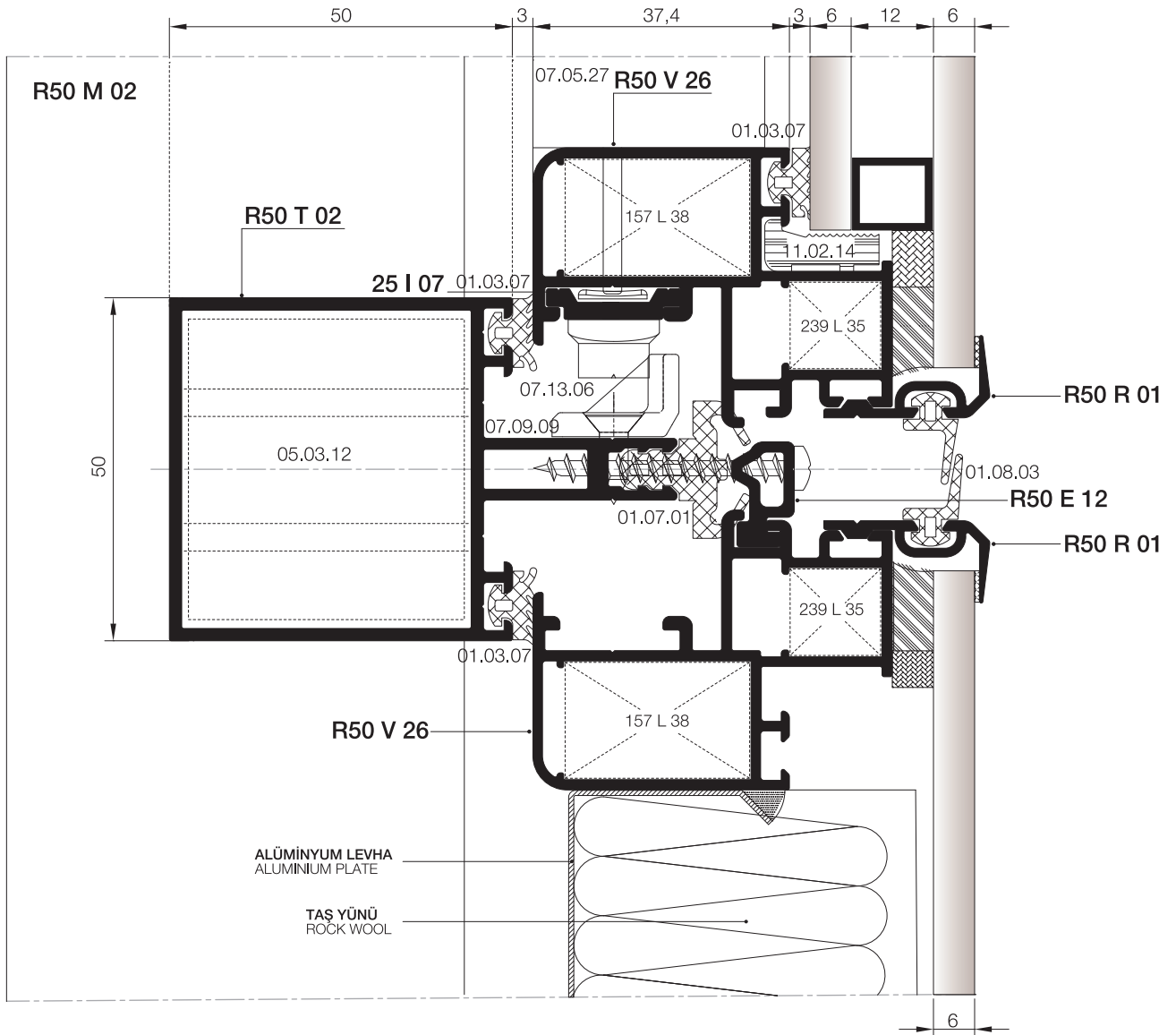
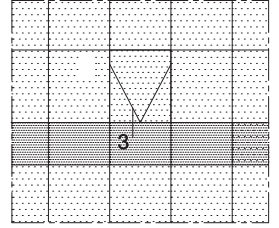
SİLİKON CEPHE YATAY DETAYI  
STRUCTURAL GLAZING HORIZONTAL DETAIL



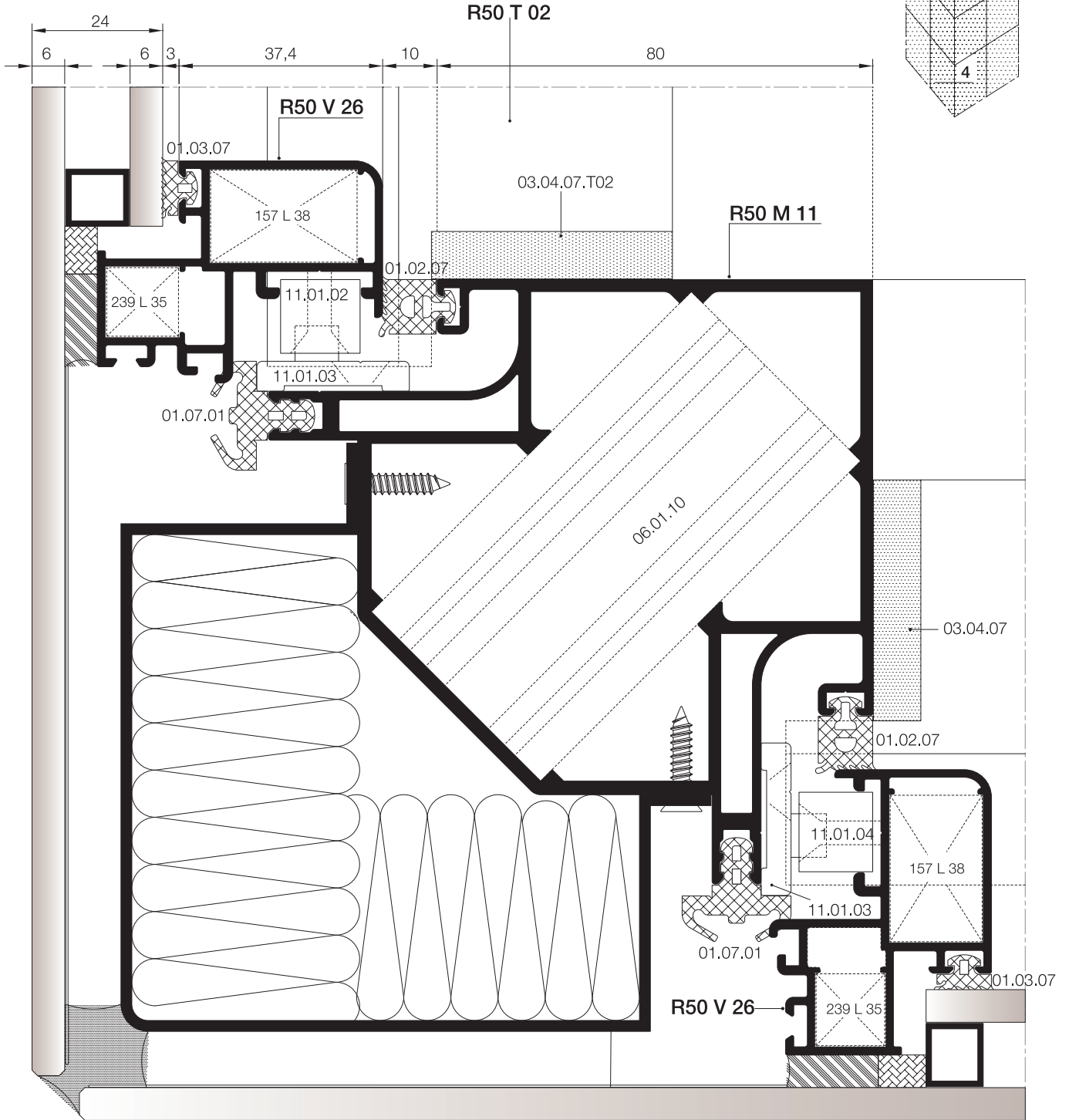
② DETAYI  
DETAIL

DIŞ  
(OUTSIDE) ➔

SİLİKON CEPHE GİZLİ KANAT YATAY DETAYI  
STRUCTURAL GLAZING HIDDEN VENT HORIZONTAL DETAIL



SİLİKON CEPHE KÖŞE DÖNÜŞ DETAYI  
STRUCTURAL GLAZING CORNER DETAIL



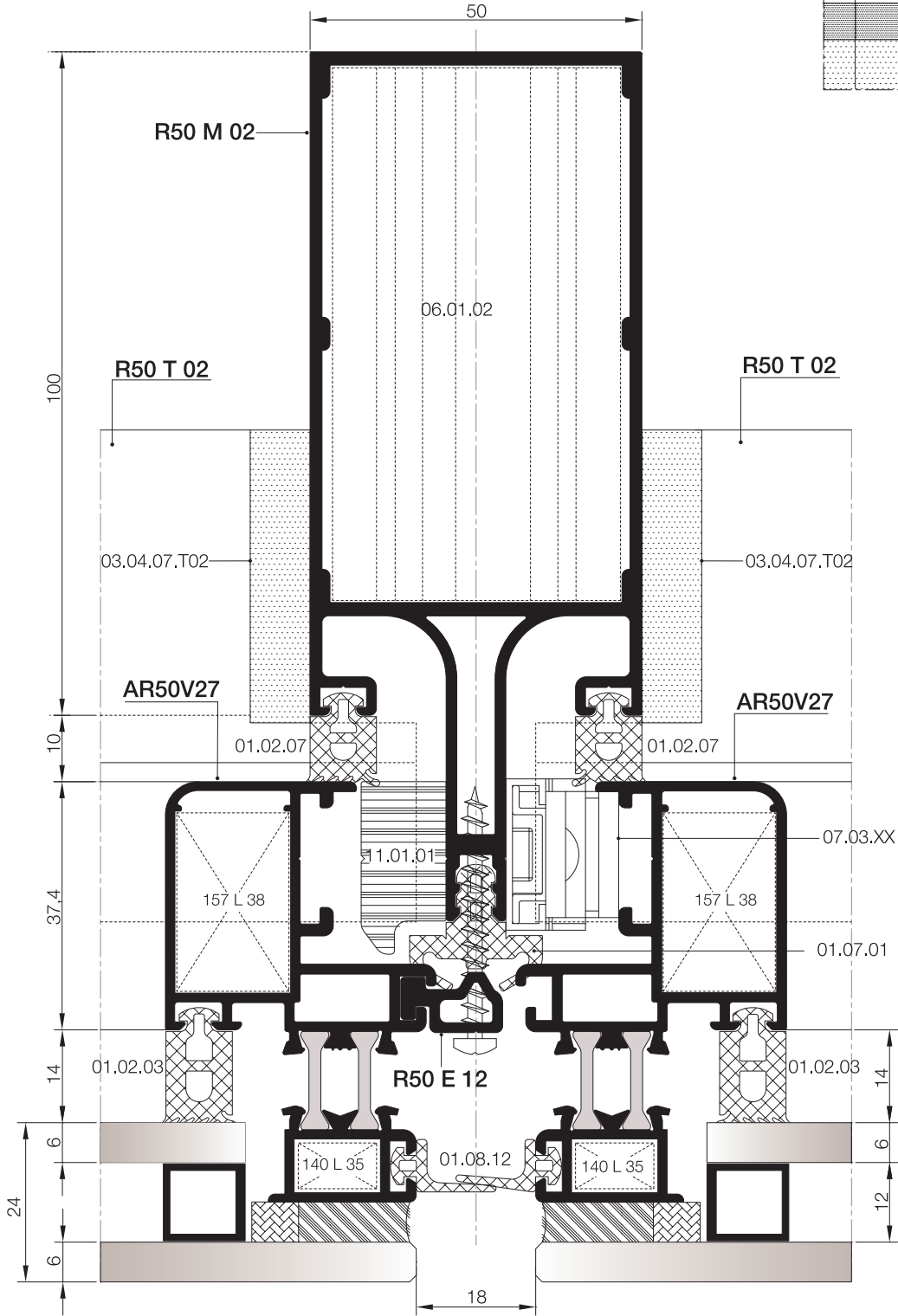
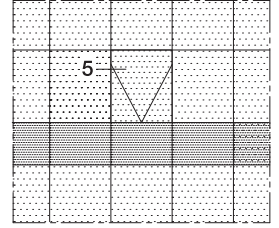
ALÜMİNYUM LEVHA  
ALUMINIUM PLATE

\*\* ALÜMİNYUM PANEL SİYAH ELOKSAL (AS-M4) OLMALIDIR.  
ALUMINIUM PLATE MUST BE BLACK ANODISED (AS-M4)

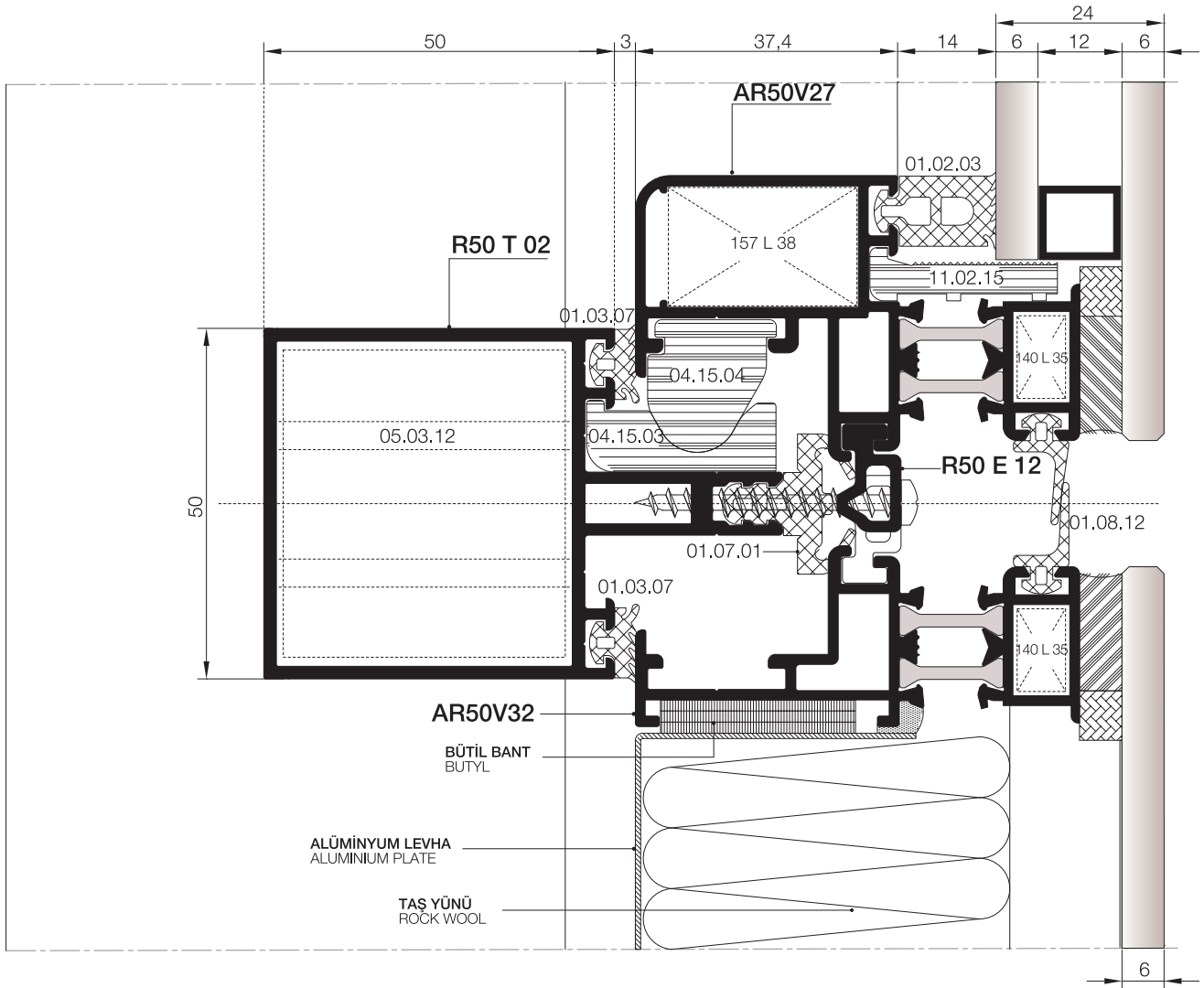
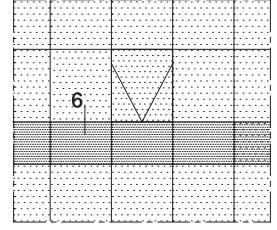
④ DETAYI  
DETAIL

DIŞ  
(OUTSIDE)

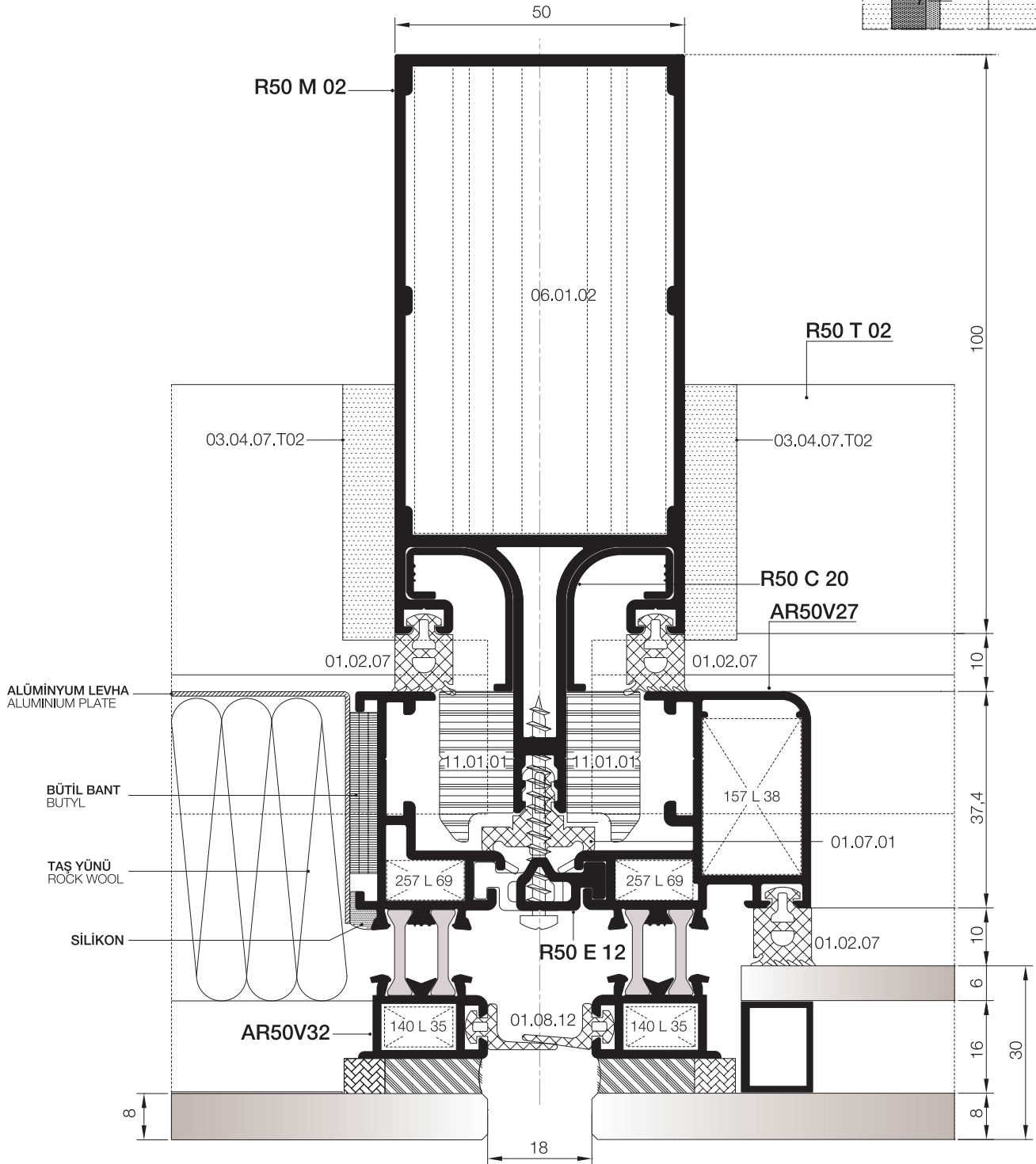
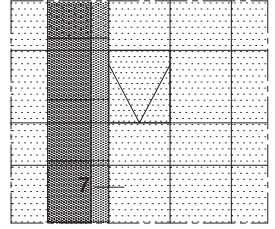
SİLİKON CEPHE DÜŞEY DETAYI  
STRUCTURAL GLAZING VERTICAL DETAIL



SİLİKON CEPHE YATAY DETAYI  
STRUCTURAL GLAZING HORIZONTAL DETAIL



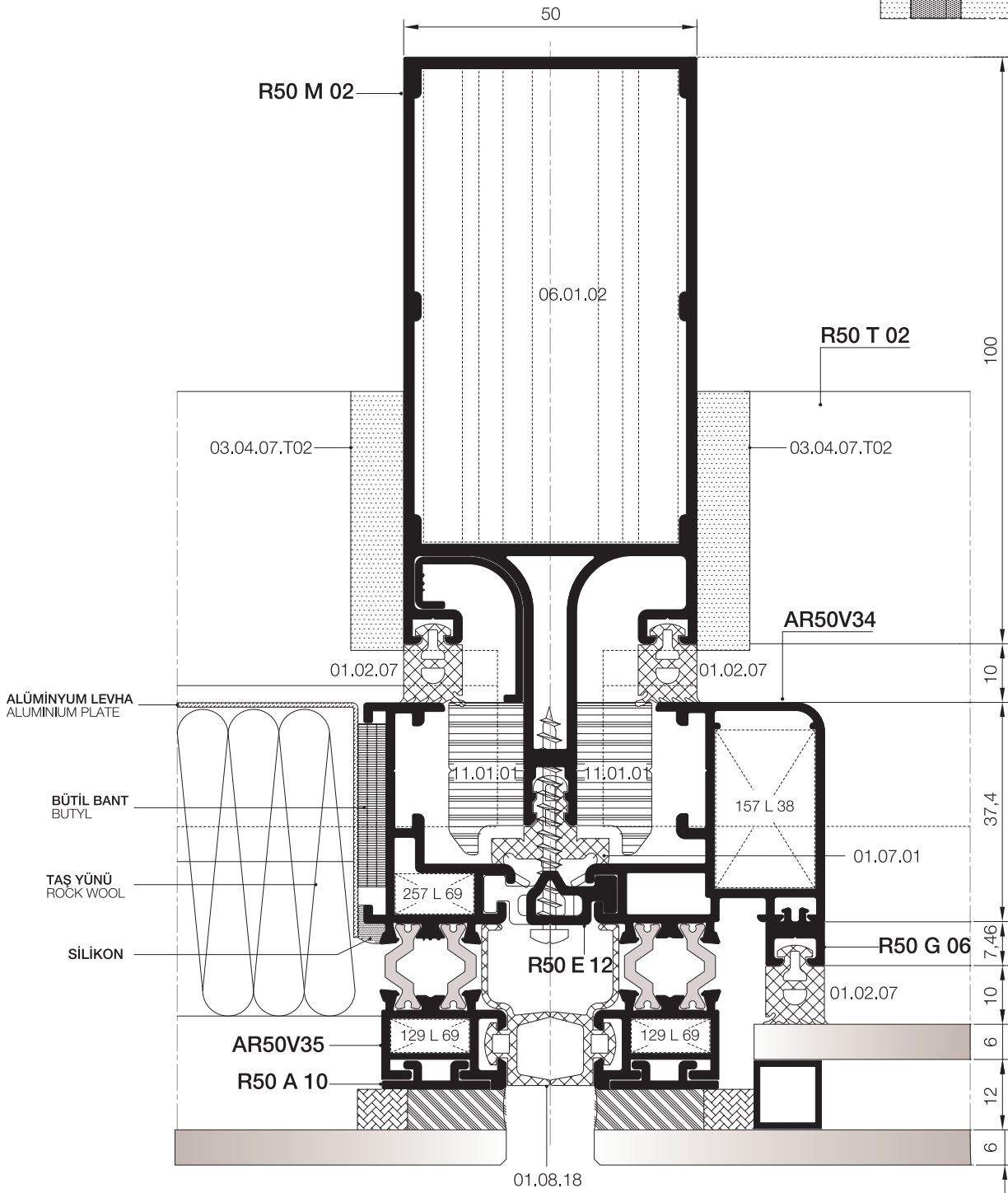
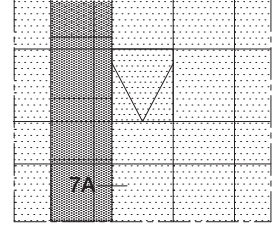
SİLİKON CEPHE DÜŞEY DETAYI  
STRUCTURAL GLAZING VERTICAL DETAIL



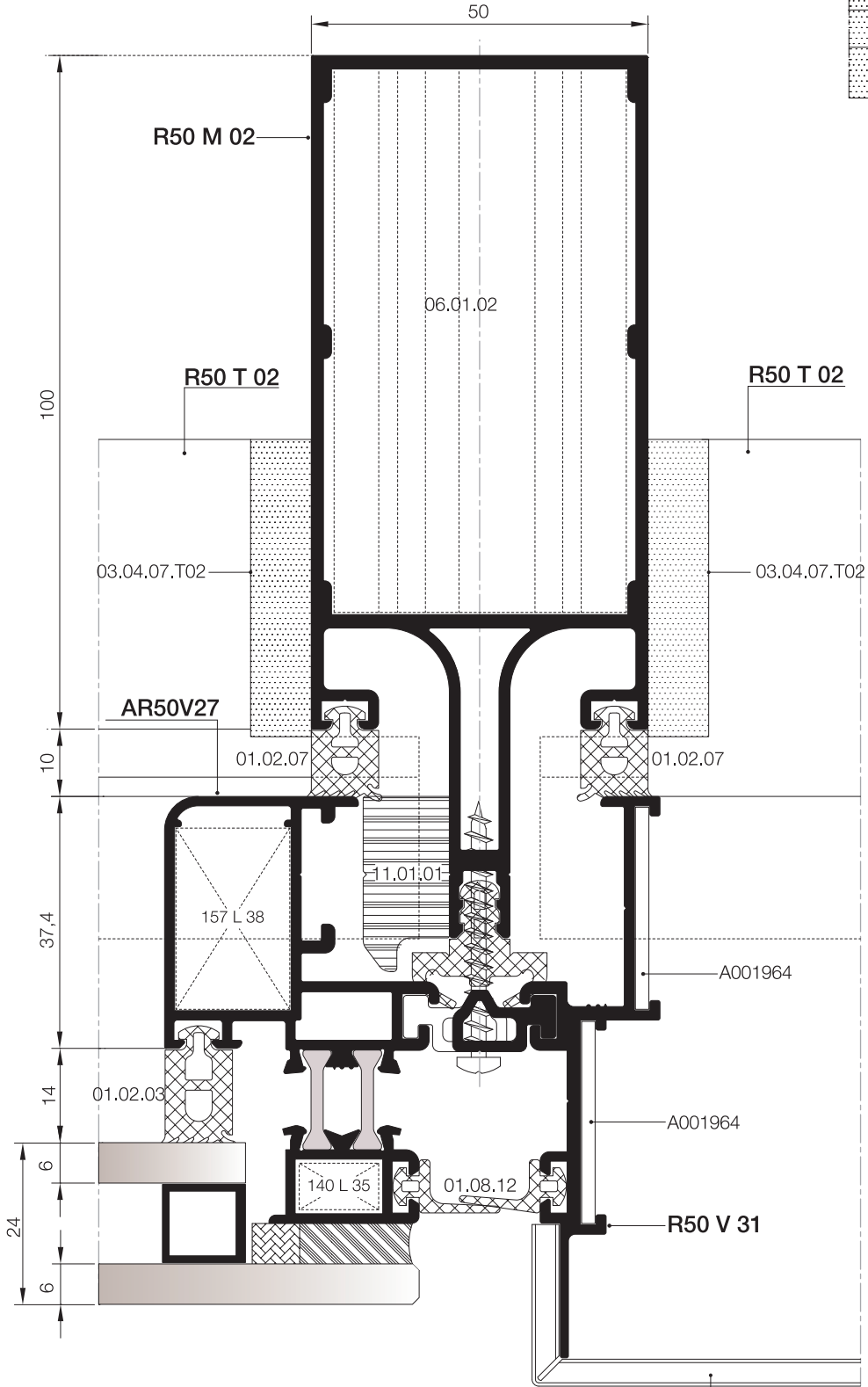
7 DETAYI  
DETAIL

DIŞ  
(OUTSIDE)

SİLİKON CEPHE DÜŞEY DETAYI  
STRUCTURAL GLAZING VERTICAL DETAIL



SİLİKON CEPHE DÜŞEY DETAYI  
STRUCTURAL GLAZING VERTICAL DETAIL

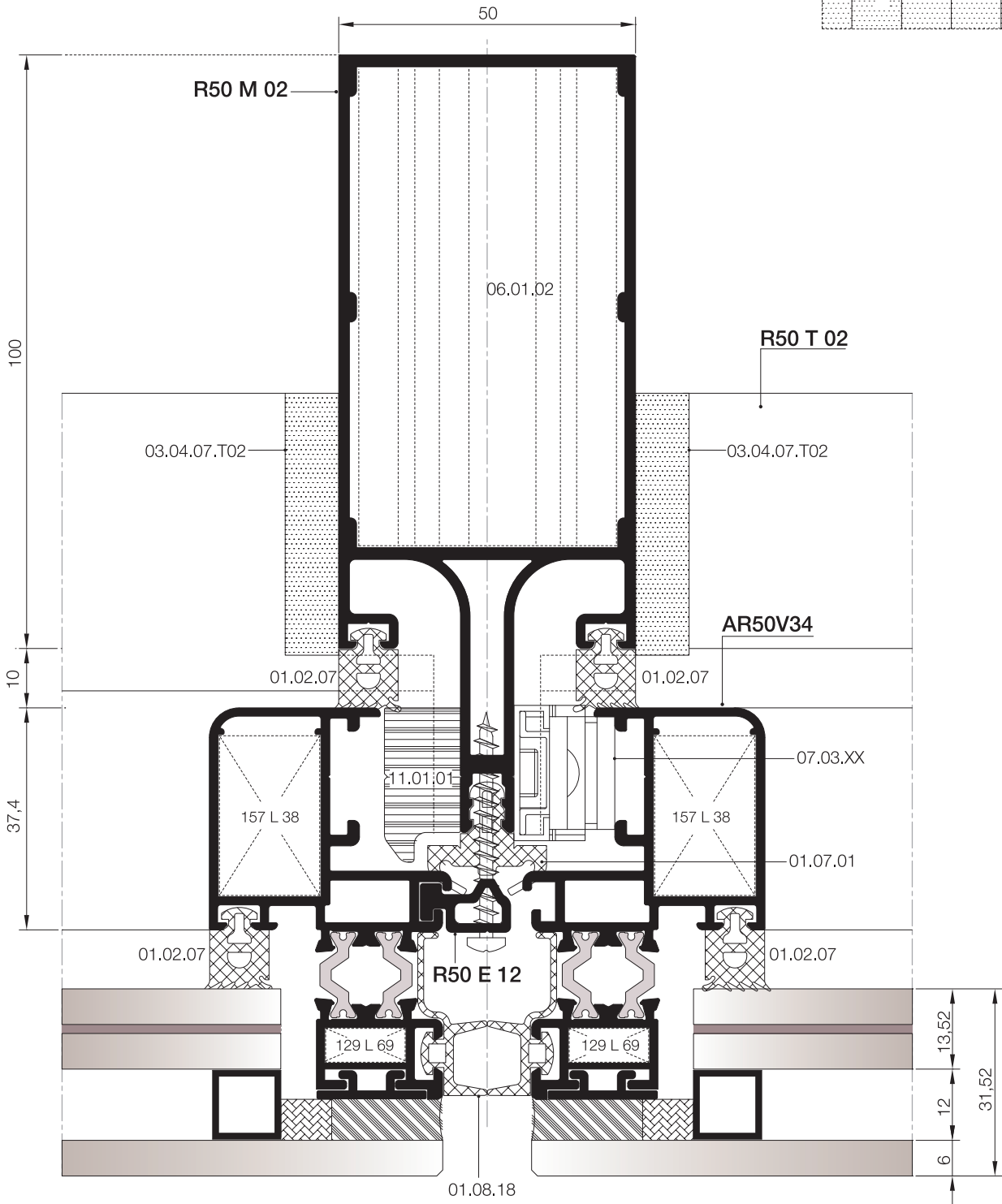
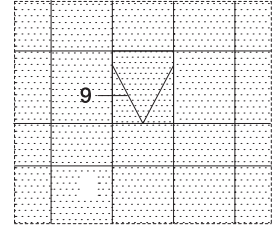


8 DETAYI  
DETAIL

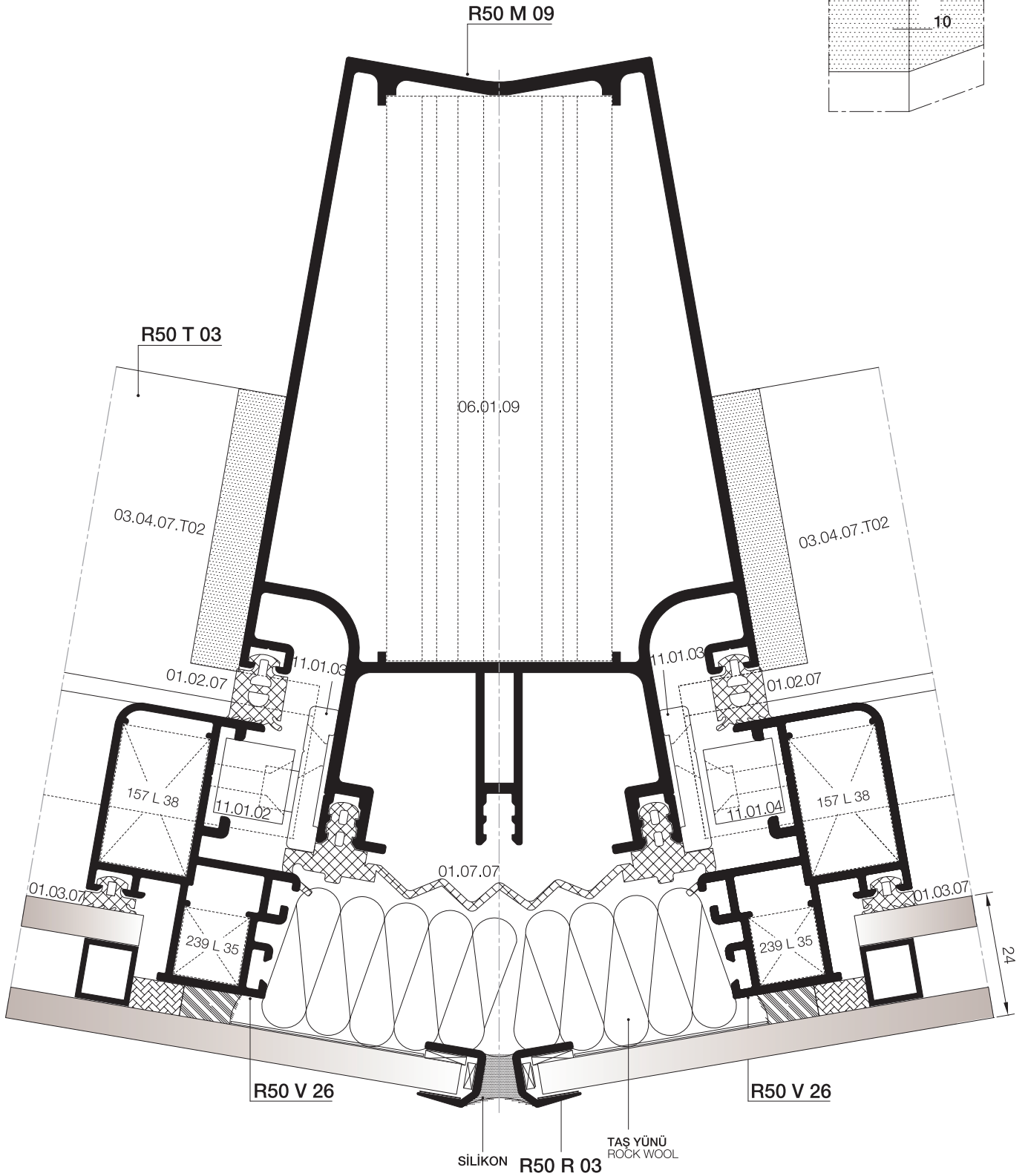
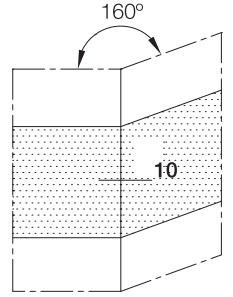
DIŞ  
(OUTSIDE)



SİLİKON CEPHE DÜŞEY DETAYI  
STRUCTURAL GLAZING VERTICAL DETAIL



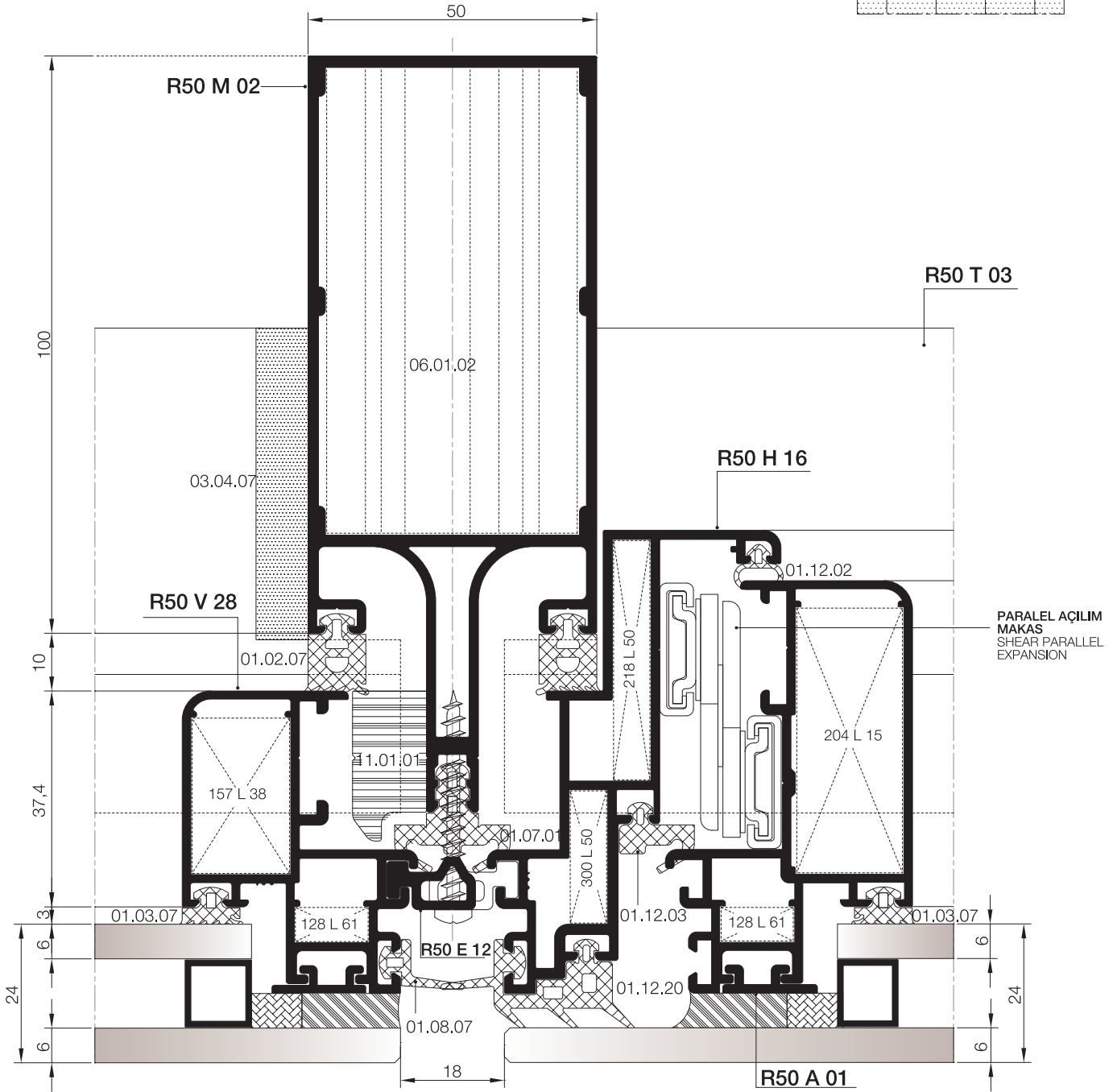
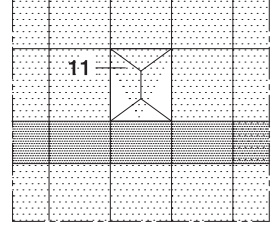
SİLİKON CEPHE 160° DÖNÜŞ DETAYI  
STRUCTURAL GLAZING 160° ANGULAR DETAIL



10 DETAYI  
DETAIL

DIŞ  
(OUTSIDE)

SİLİKON CEPHE PARALEL AÇILIM DETAYI  
STRUCTURAL GLAZING PARALLEL OPENING DETAIL





# MİMARİ KATALOG

## ARCHITECTURAL CATALOGUE

Alüminyum Kapı Pencere ve Giydirme Cephe Sistemleri  
Aluminium Window Doors and Facade Systems



Rescara Sistem Detayları  
Rescara System Details

# R50

**DETAYLAR**

DETAILS

**YARI KAPAKLI CEPHE SİSTEMİ**

SEMI-STRUCTURAL SYSTEM

01

02

03

04

05

06

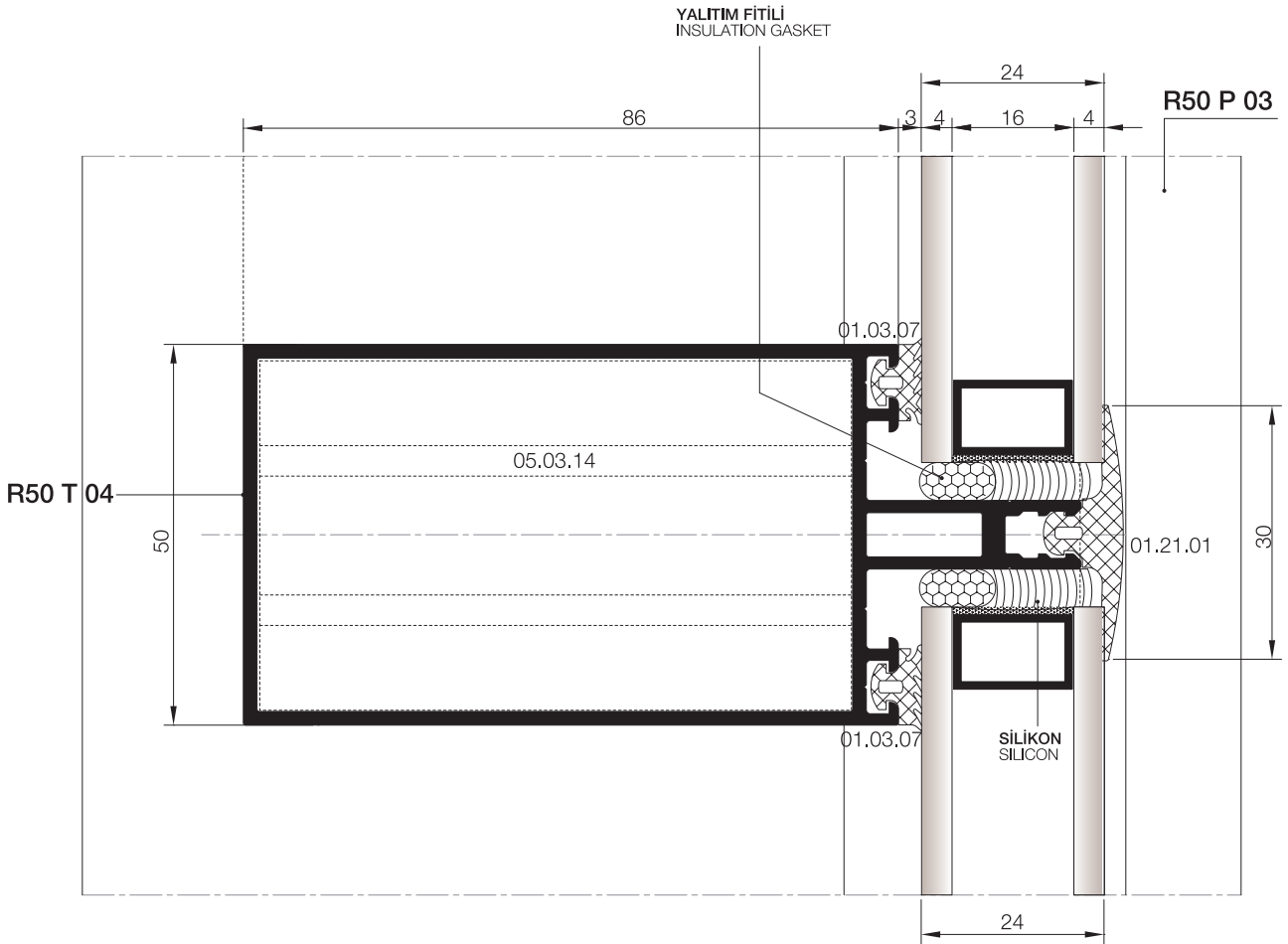
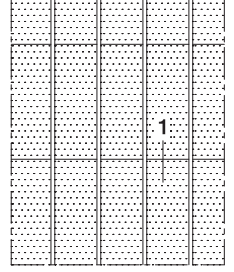
07

08

09

10

01 YATAY SİLİKON DÜŞEY KAPAKLI SİSTEM YATAY DETAYI  
SEMI STRUCTURAL SYSTEM HORIZONTAL DETAIL



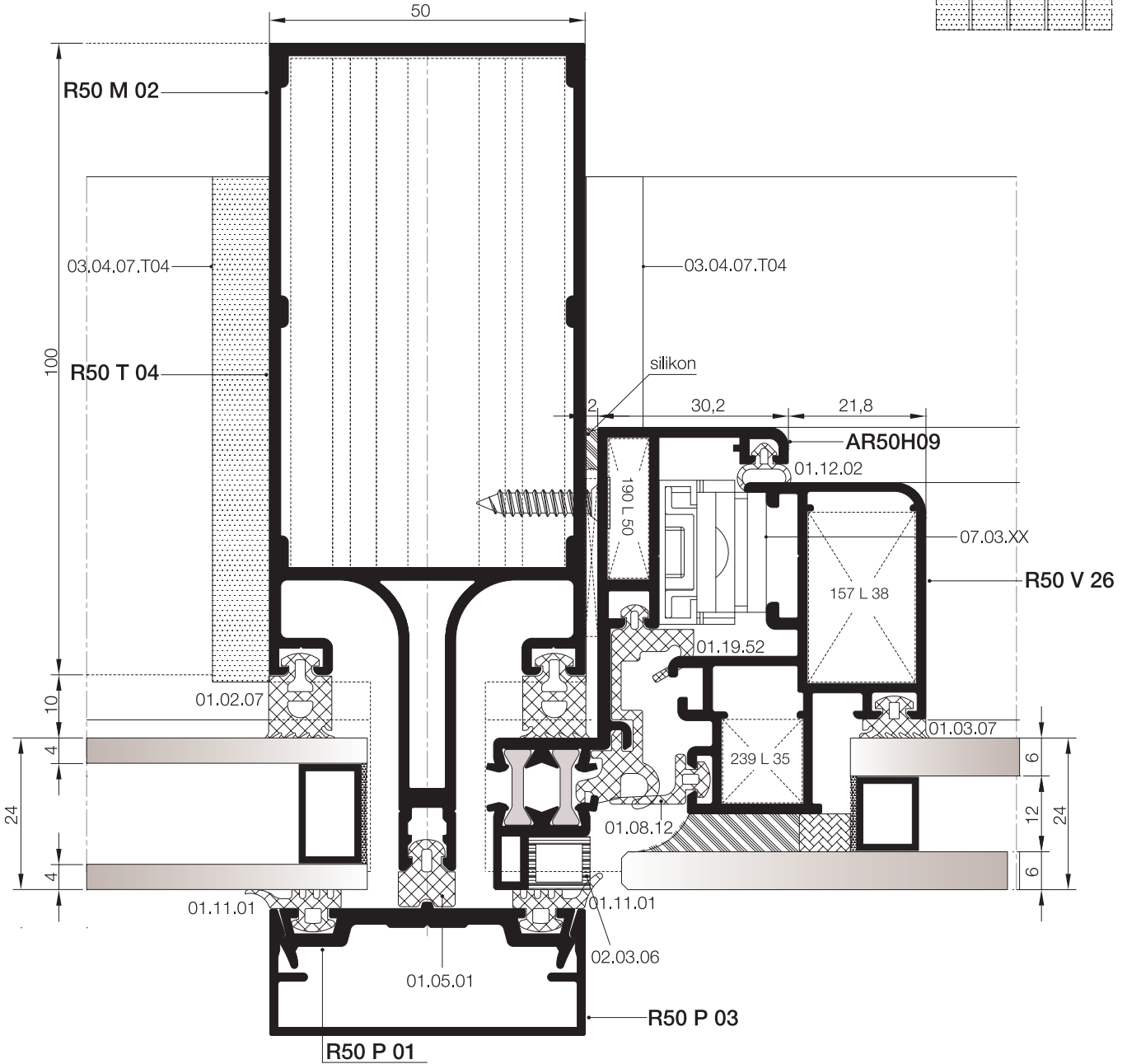
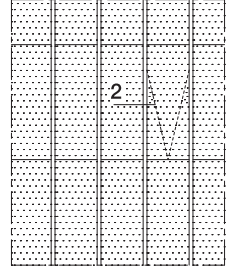
02  
03  
04  
05  
06  
07  
08  
09  
10

\*\*DÜŞEY PROFİL AKS ARALIĞI 1 M'DEN AZ OLMALIDIR.  
AXLÉ DIMENSIONS MUST BE LESS THAN 1 M.

① DETAYI  
DETAIL

DIŞ  
(OUTSIDE) ➔

YATAY SİLİKON DÜŞEY KAPAKLI SİSTEM GİZLİ KANAT DÜŞEY DETAYI  
SEMI STRUCTURAL SYSTEM HIDDEN VENT VERTICAL DETAIL



01

YATAY SİLİKON DÜŞEY KAPAKLI SİSTEM GİZLİ KANAT YATAY DETAYI  
SEMI STRUCTURAL SYSTEM HIDDEN VENT HORIZONTAL DETAIL

02

03

04

05

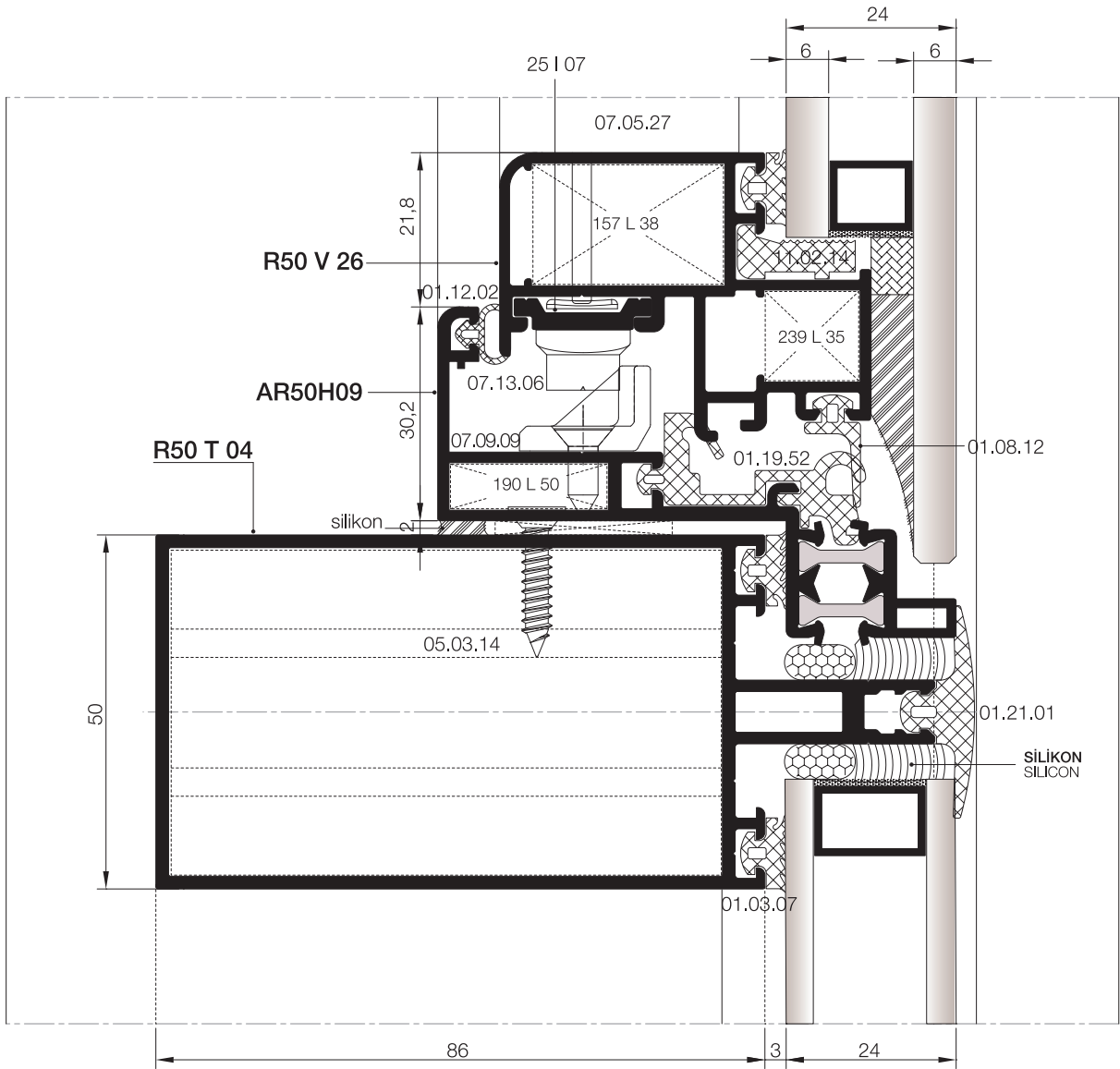
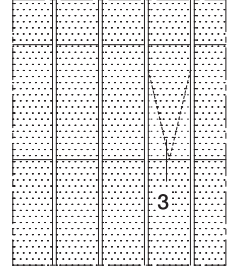
06

07

08

09

10



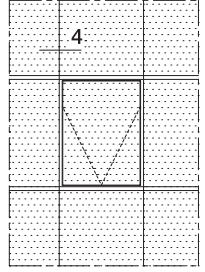
\*\*DÜŞEY PROFİL AKS ARALIĞI 1 M'DEN AZ OLMALIDIR.  
AXLE DIMENSIONS MUST BE LESS THAN 1 M.

③ DETAYI  
DETAIL

DIŞ  
(OUTSIDE) ➔



DÜŞEY SİLİKON YATAY KAPAKLI SİSTEM DÜŞEY DETAYI  
SEMI STRUCTURAL SYSTEM VERTICAL DETAIL



01

02

03

04

05

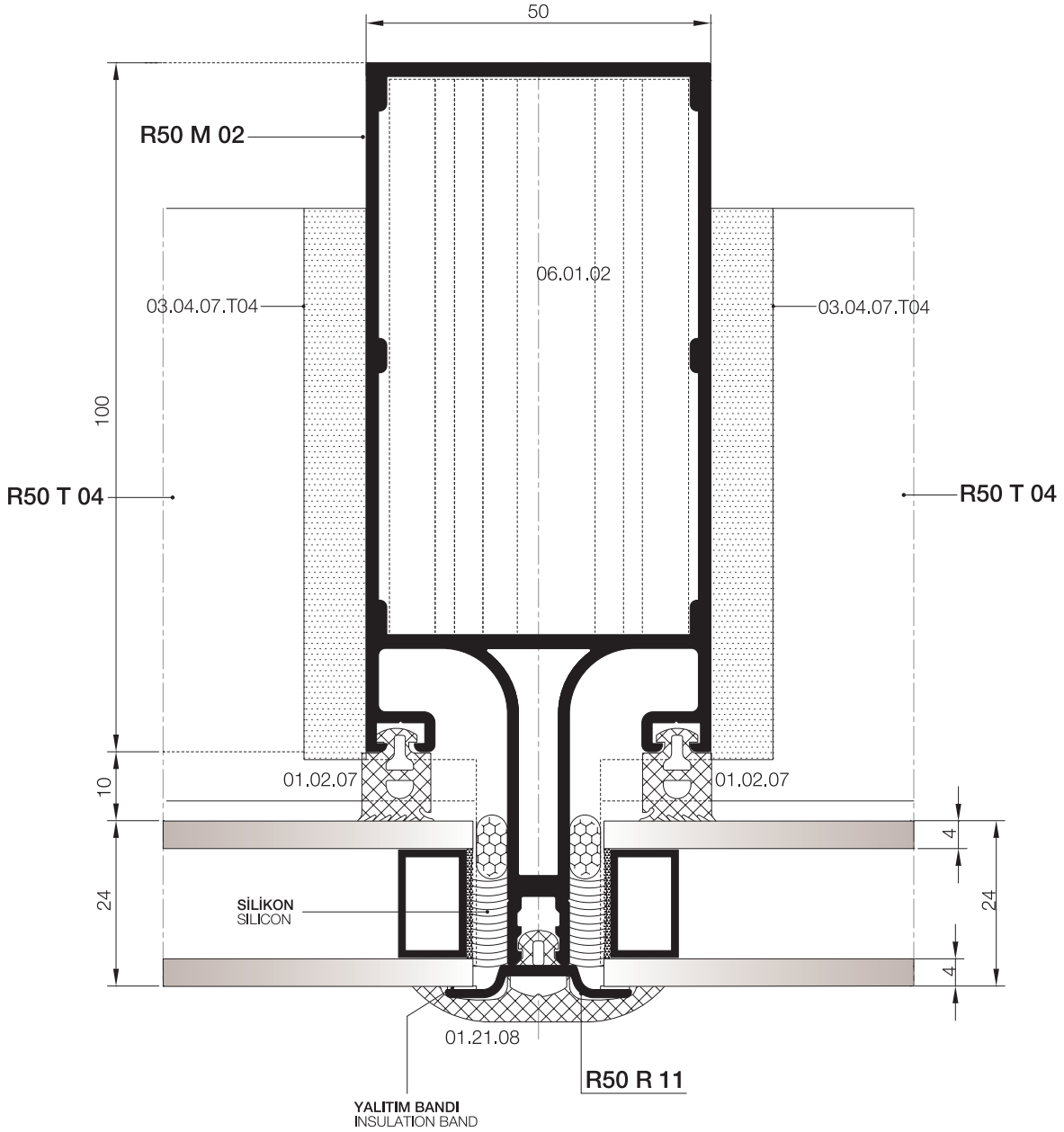
06

07

08

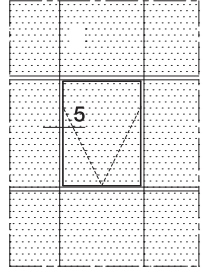
09

10

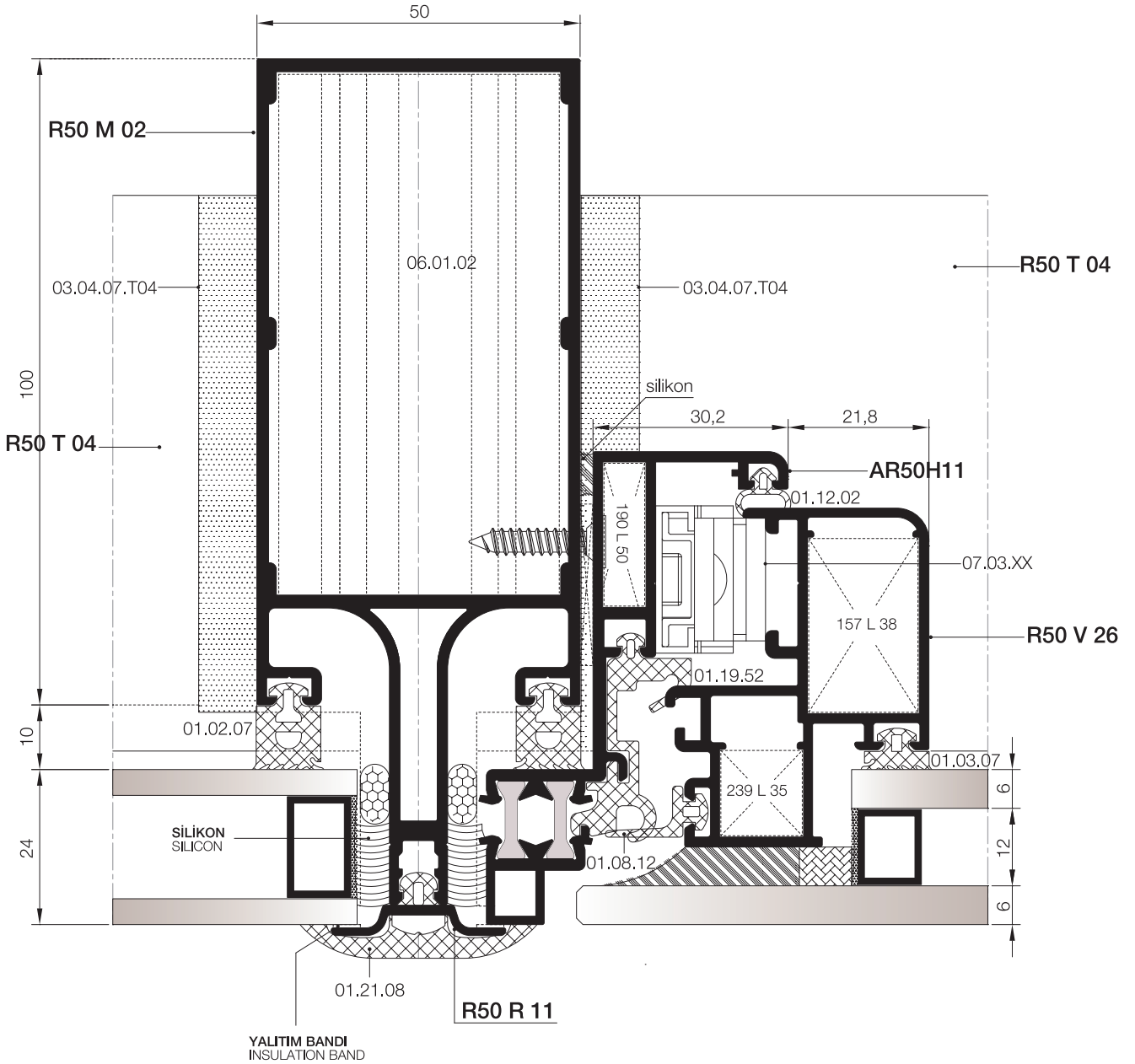


4 DETAYI  
DETAIL

DIŞ  
(OUTSIDE)



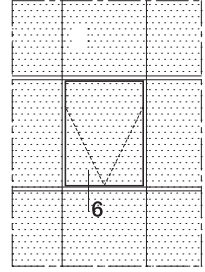
DÜŞEY SİLİKON YATAKLI SİSTEM GİZLİ KANAT DÜŞEY DETAYI  
SEMI STRUCTURAL SYSTEM HIDDEN VENT VERTICAL DETAIL



5 DETAYI  
DETAIL

DIŞ  
(OUTSIDE)

DÜŞEY SİLİKON YATAY KAPAKLI SİSTEM GİZLİ KANAT YATAY DETAYI  
SEMI STRUCTURAL SYSTEM HIDDEN VENT HORIZONTAL DETAIL



01

02

03

04

05

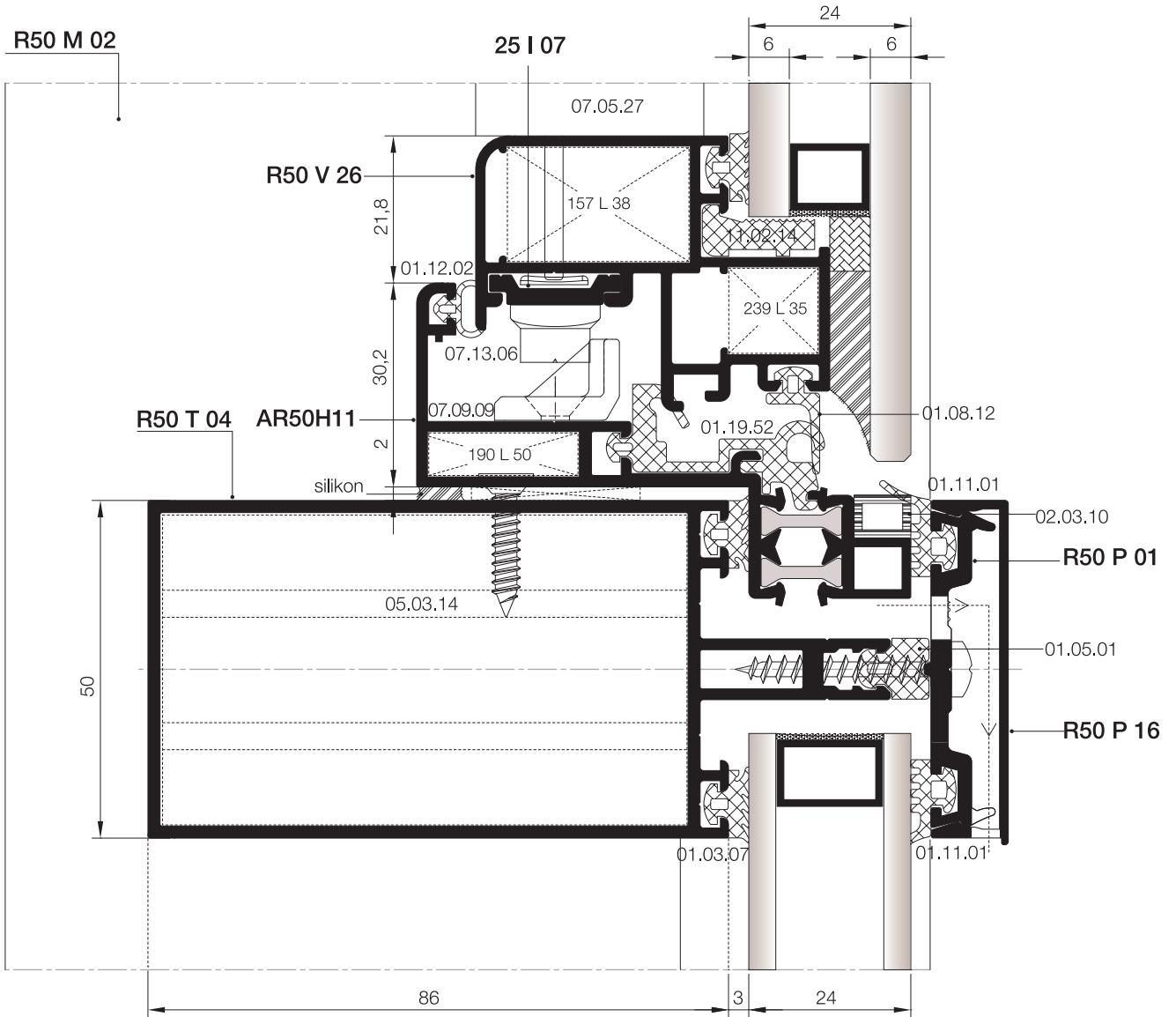
06

07

08

09

10





# MİMARİ KATALOG

## ARCHITECTURAL CATALOGUE

Alüminyum Kapı Pencere ve Giydirme Cephe Sistemleri  
Aluminium Window Doors and Facade Systems



Rescara Sistem Detayları  
Rescara System Details

# R50

**AKSESUARLAR**

**ACCESSORIES**

01

02

03

04

05

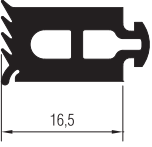
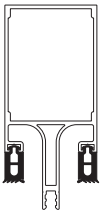

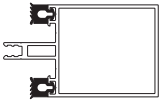
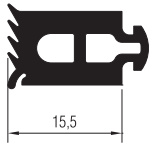
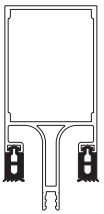
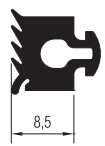
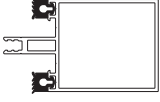
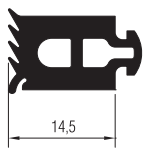
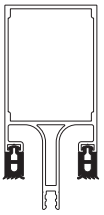


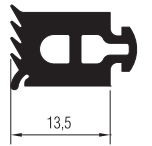
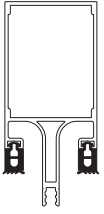
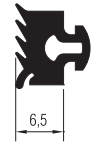
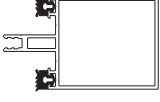
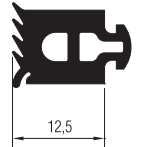
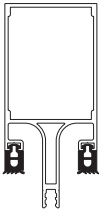
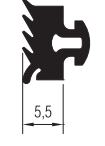
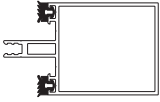
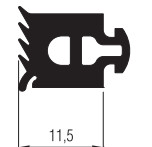
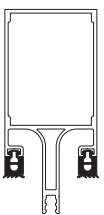

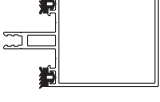
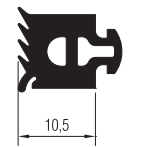
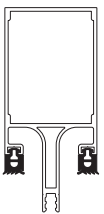

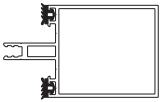
06


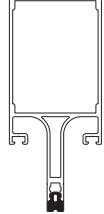
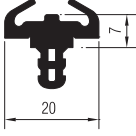
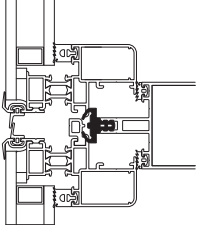

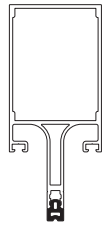

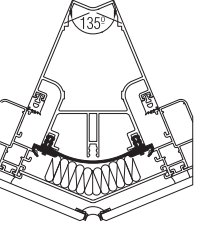

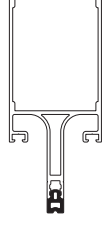

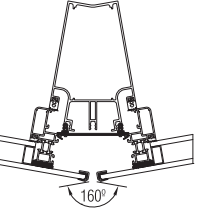

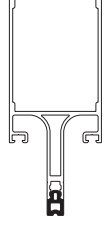
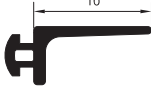
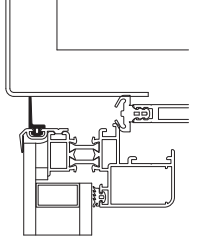

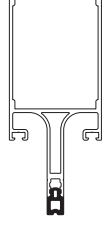

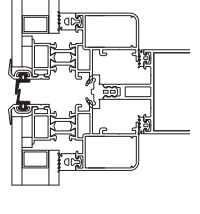

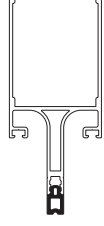

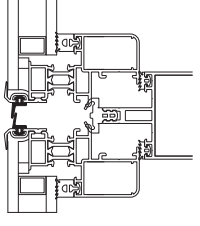
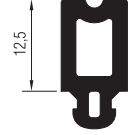
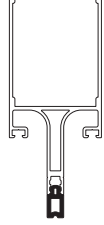

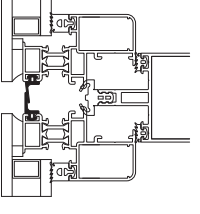
07

08

09

10

01	 16,5	<b>01.02.01</b> CAM FİTİLİ GLAZING GASKET  Malzeme / Material : EPDM Ağırlık / Weight : 170 gr/m Paket / Package : 88 m / 15 kg		 9,5	<b>01.03.01</b> CAM FİTİLİ GLAZING GASKET  Malzeme / Material : EPDM Ağırlık / Weight : 115 gr/m Paket / Package : 130 m / 15 kg	
02	 15,5	<b>01.02.02</b> CAM FİTİLİ GLAZING GASKET  Malzeme / Material : EPDM Ağırlık / Weight : 160 gr/m Paket / Package : 93,7 m / 15 kg		 8,5	<b>01.03.02</b> CAM FİTİLİ GLAZING GASKET  Malzeme / Material : EPDM Ağırlık / Weight : 105 gr/m Paket / Package : 140 m / 15 kg	
03	 14,5	<b>01.02.03</b> CAM FİTİLİ GLAZING GASKET  Malzeme / Material : EPDM Ağırlık / Weight : 152 gr/m Paket / Package : 98,6 m / 15 kg		 7,5	<b>01.03.03</b> CAM FİTİLİ GLAZING GASKET  Malzeme / Material : EPDM Ağırlık / Weight : 98 gr/m Paket / Package : 153 m / 15 kg	
04	 13,5	<b>01.02.04</b> CAM FİTİLİ GLAZING GASKET  Malzeme / Material : EPDM Ağırlık / Weight : 150 gr/m Paket / Package : 100 m / 15 kg		 6,5	<b>01.03.04</b> CAM FİTİLİ GLAZING GASKET  Malzeme / Material : EPDM Ağırlık / Weight : 94 gr/m Paket / Package : 158 m / 15 kg	
05	 12,5	<b>01.02.05</b> CAM FİTİLİ GLAZING GASKET  Malzeme / Material : EPDM Ağırlık / Weight : 132 gr/m Paket / Package : 110 m / 15 kg		 5,5	<b>01.03.05</b> CAM FİTİLİ GLAZING GASKET  Malzeme / Material : EPDM Ağırlık / Weight : 80 gr/m Paket / Package : 185 m / 15 kg	
06	 11,5	<b>01.02.06</b> CAM FİTİLİ GLAZING GASKET  Malzeme / Material : EPDM Ağırlık / Weight : 125 gr/m Paket / Package : 120 m / 15 kg		 4,5	<b>01.03.06</b> CAM FİTİLİ GLAZING GASKET  Malzeme / Material : EPDM Ağırlık / Weight : 65 gr/m Paket / Package : 230,7 m / 15 kg	
07	 10,5	<b>01.02.07</b> CAM FİTİLİ GLAZING GASKET  Malzeme / Material : EPDM Ağırlık / Weight : 116 gr/m Paket / Package : 129 m / 15 kg		 3,5	<b>01.03.07</b> CAM FİTİLİ GLAZING GASKET  Malzeme / Material : EPDM Ağırlık / Weight : 55 gr/m Paket / Package : 270 m / 15 kg	
08						
09						
10						

	<p>01.05.01 ORTA BASKI FİTİLİ CENTRAL GASKET</p> <p>Malzeme / Material : EPDM Ağırlık / Weight : 85 gr/m Paket / Package : 175 m / 15 kg</p>			<p>01.07.01 ORTA BASKI FİTİLİ CENTRAL GASKET</p> <p>Malzeme / Material : EPDM Ağırlık / Weight : 200 gr/m Paket / Package : 75 m / 15 kg</p>	
	<p>01.05.02 ORTA BASKI FİTİLİ CENTRAL GASKET</p> <p>Malzeme / Material : EPDM Ağırlık / Weight : 96 gr/m Paket / Package : 156 m / 15 kg</p>			<p>01.07.03 ORTA BASKI FİTİLİ (135°) CENTRAL GASKET (135°)</p> <p>Malzeme / Material : EPDM Ağırlık / Weight : 500 gr/m Paket / Package : 20 m / 15 kg</p>	
	<p>01.05.03 ORTA BASKI FİTİLİ CENTRAL GASKET</p> <p>Malzeme / Material : EPDM Ağırlık / Weight : 86 gr/m Paket / Package : 174 m / 15 kg</p>			<p>01.07.05 ORTA BASKI FİTİLİ (160°) CENTRAL GASKET (160°)</p> <p>Malzeme / Material : EPDM Ağırlık / Weight : 620 gr/m Paket / Package : 24 m / 15 kg</p>	
	<p>01.05.04 ORTA BASKI FİTİLİ CENTRAL GASKET</p> <p>Malzeme / Material : EPDM Ağırlık / Weight : 108 gr/m Paket / Package : 138,8 m / 15 kg</p>			<p>01.08.01 TIRNAK FİTİLİ SEALING JOINT GASKET</p> <p>Malzeme / Material : EPDM Ağırlık / Weight : 64 gr/m Paket / Package : 234 m / 15 kg</p>	
	<p>01.05.05 ORTA BASKI FİTİLİ CENTRAL GASKET</p> <p>Malzeme / Material : EPDM Ağırlık / Weight : 106 gr/m Paket / Package : 141,5 m / 15 kg</p>			<p>01.08.03 TIRNAK FİTİLİ SEALING JOINT GASKET</p> <p>Malzeme / Material : EPDM Ağırlık / Weight : 56 gr/m Paket / Package : 267,8 m / 15 kg</p>	
	<p>01.05.06 ORTA BASKI FİTİLİ CENTRAL GASKET</p> <p>Malzeme / Material : EPDM Ağırlık / Weight : 102 gr/m Paket / Package : 147 m / 15 kg</p>			<p>01.08.07 TIRNAK FİTİLİ SEALING JOINT GASKET</p> <p>Malzeme / Material : EPDM Ağırlık / Weight : 55 gr/m Paket / Package : 270 m / 15 kg</p>	
	<p>01.05.08 ORTA BASKI FİTİLİ CENTRAL GASKET</p> <p>Malzeme / Material : EPDM Ağırlık / Weight : 130 gr/m Paket / Package : 115 m / 15 kg</p>			<p>01.08.12 TIRNAK FİTİLİ SEALING JOINT GASKET</p> <p>Malzeme / Material : EPDM Ağırlık / Weight : 52 gr/m Paket / Package : 285 m / 15 kg</p>	

01

02

03

04

05


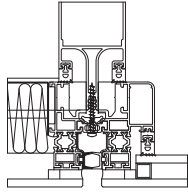

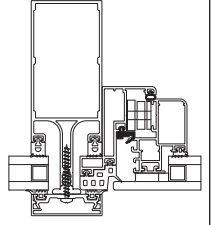

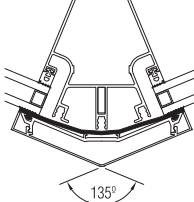

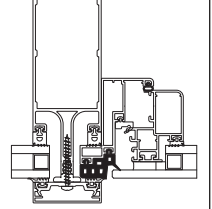

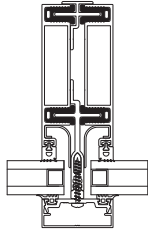

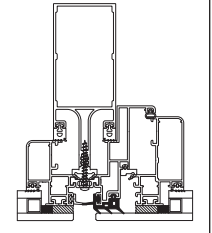
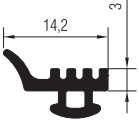
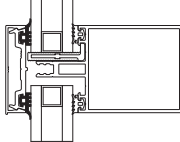
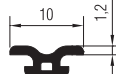
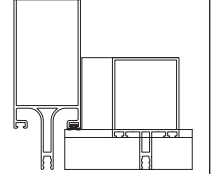

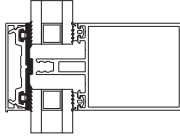

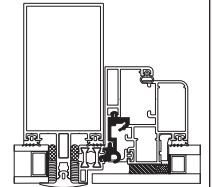

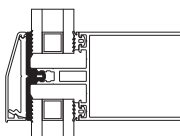

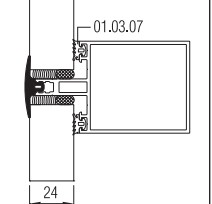

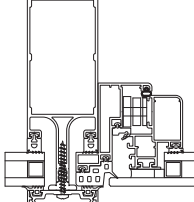
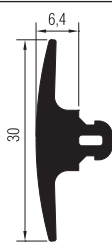
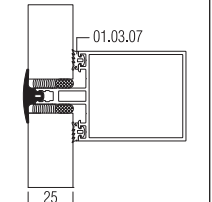
06

07

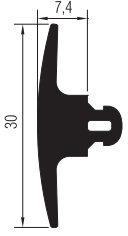
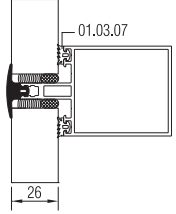
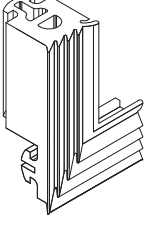

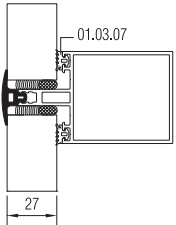
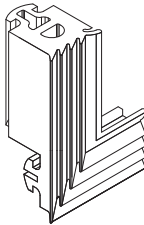

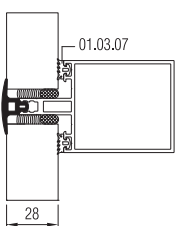
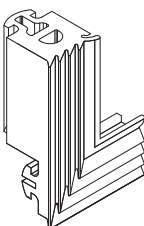

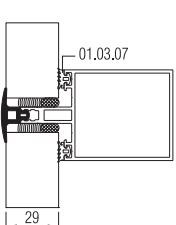
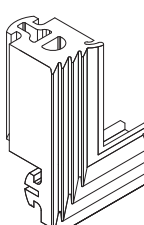
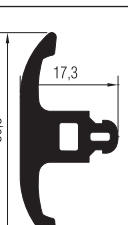
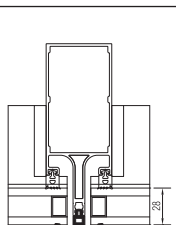
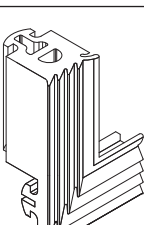
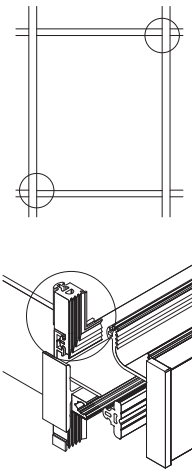
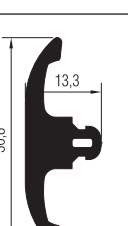
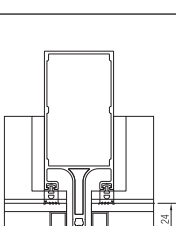
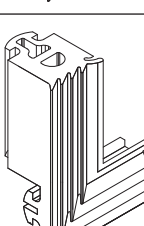
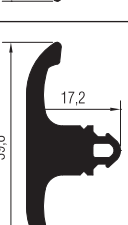
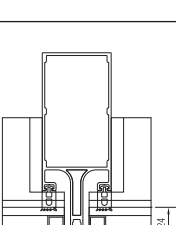
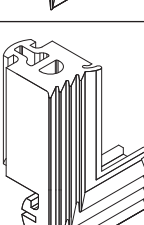
08

09

10

01		01.08.18 KASET BİNİ FİTİLİ SEAL GASKET Malzeme / Material : EPDM Ağırlık / Weight : 89 gr/m Paket / Package : 168 m / 15 kg			01.12.03 GİZLİ KANAT FİTİLİ SEAL GASKET Malzeme / Material : EPDM Ağırlık / Weight : 75 gr/m Paket / Package : 200 m / 15 kg	
02		01.09.04 DIŞ CAM FİTİLİ (135°) GLAZING GASKET (135°) Malzeme / Material : EPDM Ağırlık / Weight : 400 gr/m Paket / Package : 36,5 m / 15 kg			01.12.14 GİZLİ KANAT FİTİLİ SEAL GASKET Malzeme / Material : EPDM Ağırlık / Weight : 330 gr/m Paket / Package : 45 m / 15 kg	
03		01.10.01 DİLATASYON FİTİLİ EXPANSION GASKET Malzeme / Material : EPDM Ağırlık / Weight : 206 gr/m Paket / Package : 72,8 m / 15 kg			01.12.20 GİZLİ KANAT FİTİLİ SEAL GASKET Malzeme / Material : EPDM Ağırlık / Weight : 210 gr/m Paket / Package : 70 m / 15 kg	
04		01.11.01 DIŞ CAM FİTİLİ GLAZING GASKET Malzeme / Material : EPDM Ağırlık / Weight : 65 gr/m Paket / Package : 230 m / 15 kg			01.14.01 BİTİŞ FİTİLİ FINISH GASKET Malzeme / Material : EPDM Ağırlık / Weight : 30 gr/m Paket / Package : 500 m / 15 kg	
05		01.11.05 KAPAK ALTI FİTİLİ GLAZING GASKET Malzeme / Material : EPDM Ağırlık / Weight : 234 gr/m Paket / Package : 64 m / 15 kg			01.19.52 KASET BİNİ FİTİLİ SEAL GASKET Malzeme / Material : EPDM Ağırlık / Weight : 214 gr/m Paket / Package : 70 m / 15 kg	
06		01.11.06 KAPAK ALTI FİTİLİ GLAZING GASKET Malzeme / Material : EPDM Ağırlık / Weight : 250 gr/m Paket / Package : 60 m / 15 kg			01.21.01 BASMA FİTİLİ PRESSURE GASKET Malzeme / Material : EPDM Ağırlık / Weight : 148 gr/m Paket / Package : 101 m / 15 kg	
07		01.12.02 GİZLİ KANAT FİTİLİ SEAL GASKET Malzeme / Material : EPDM Ağırlık / Weight : 30 gr/m Paket / Package : 500 m / 15 kg			01.21.02 BASMA FİTİLİ PRESSURE GASKET Malzeme / Material : EPDM Ağırlık / Weight : 164 gr/m Paket / Package : 91 m / 15 kg	
08						
09						
10						



	<b>01.21.03</b> BASMA FITİLİ PRESSURE GASKET Malzeme / Material : EPDM Ağırlık / Weight : 175 gr/m Paket / Package : 85,7 m / 15 kg			<b>03.05.01</b> KÖŞE FITİLİ (SOL) CORNER GASKET (LEFT) Malzeme / Material : EPDM 01.02.01 - 01.03.01	
	<b>01.21.04</b> BASMA FITİLİ PRESSURE GASKET Malzeme / Material : EPDM Ağırlık / Weight : 152 gr/m Paket / Package : 98,6 m / 15 kg			<b>03.05.02</b> KÖŞE FITİLİ (SOL) CORNER GASKET (LEFT) Malzeme / Material : EPDM 01.02.02 - 01.03.02	
	<b>01.21.05</b> BASMA FITİLİ PRESSURE GASKET Malzeme / Material : EPDM Ağırlık / Weight : 183 gr/m Paket / Package : 82 m / 15 kg			<b>03.05.03</b> KÖŞE FITİLİ (SOL) CORNER GASKET (LEFT) Malzeme / Material : EPDM 01.02.03 - 01.03.03	
	<b>01.21.06</b> BASMA FITİLİ PRESSURE GASKET Malzeme / Material : EPDM Ağırlık / Weight : 185 gr/m Paket / Package : 81 m / 15 kg			<b>03.05.04</b> KÖŞE FITİLİ (SOL) CORNER GASKET (LEFT) Malzeme / Material : EPDM 01.02.04 - 01.03.04	
	<b>01.21.07</b> BASMA FITİLİ PRESSURE GASKET Malzeme / Material : EPDM Ağırlık / Weight : 250 gr/m Paket / Package : 60 m / 15 kg			<b>03.05.05</b> KÖŞE FITİLİ (SOL) CORNER GASKET (LEFT) Malzeme / Material : EPDM 01.02.05 - 01.03.05	
	<b>01.21.08</b> BASMA FITİLİ PRESSURE GASKET Malzeme / Material : EPDM Ağırlık / Weight : 245 gr/m Paket / Package : 61 m / 15 kg			<b>03.05.06</b> KÖŞE FITİLİ (SOL) CORNER GASKET (LEFT) Malzeme / Material : EPDM 01.02.06 - 01.03.06	
	<b>01.21.09</b> BASMA FITİLİ PRESSURE GASKET Malzeme / Material : EPDM Ağırlık / Weight : 300 gr/m Paket / Package : 50 m / 15 kg			<b>03.05.07</b> KÖŞE FITİLİ (SOL) CORNER GASKET (LEFT) Malzeme / Material : EPDM 01.02.07 - 01.03.07	

01

02

03

04

05

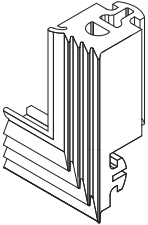
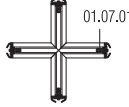
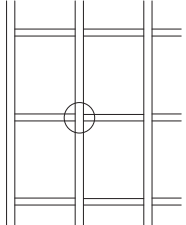
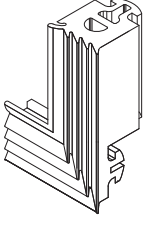
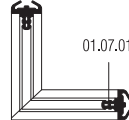
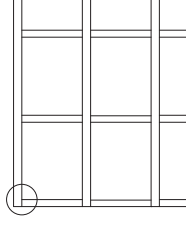
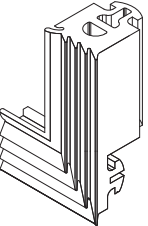

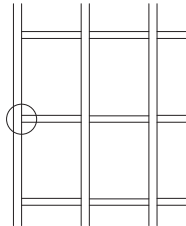
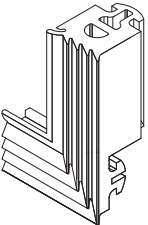
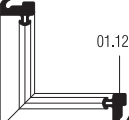
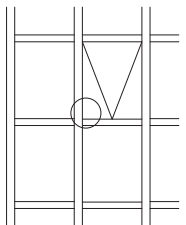
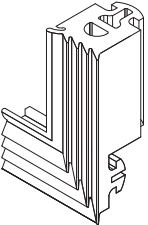
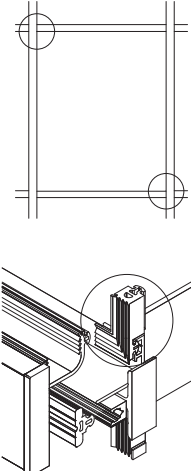

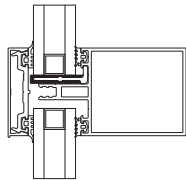
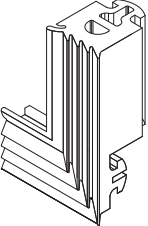
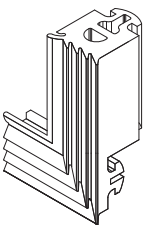
06

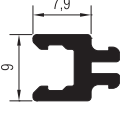
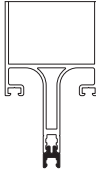
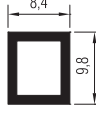
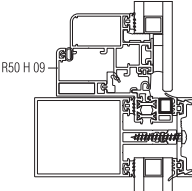
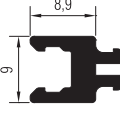
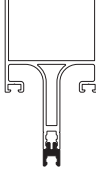
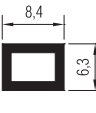
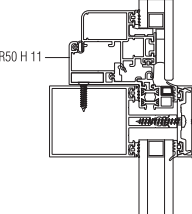
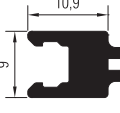
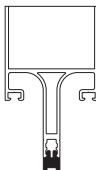
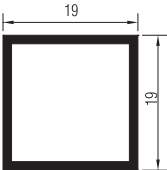
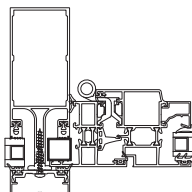

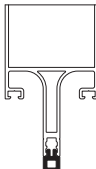
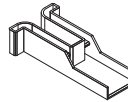
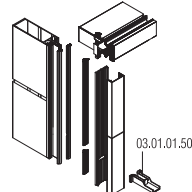
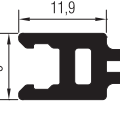
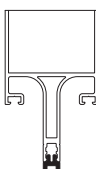
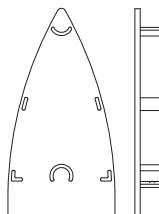
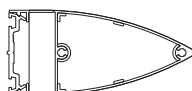
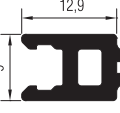
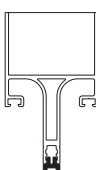
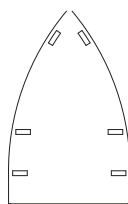
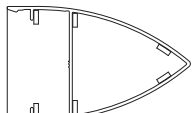

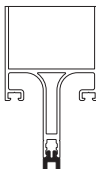

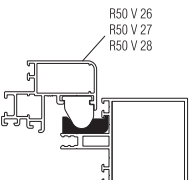
07

08

09

10

01		<p><b>03.06.01</b></p> <p>KÖŞE FİTİLİ (SAĞ) CORNER GASKET (RIGHT)</p> <p>Malzeme / Material : EPDM 01.02.01 - 01.03.01</p>			<p><b>03.07.01</b></p> <p>(+) FİTİL (+) GASKET</p> <p>Malzeme / Material : EPDM 01.07.01 - 01.07.01</p> <p>Ölçek/Scale: 1/2</p>	
02		<p><b>03.06.02</b></p> <p>KÖŞE FİTİLİ (SAĞ) CORNER GASKET (RIGHT)</p> <p>Malzeme / Material : EPDM 01.02.02 - 01.03.02</p>			<p><b>03.07.02</b></p> <p>(L) FİTİL (L) GASKET</p> <p>Malzeme / Material : EPDM 01.07.01 - 01.07.01</p>	
03		<p><b>03.06.03</b></p> <p>KÖŞE FİTİLİ (SAĞ) CORNER GASKET (RIGHT)</p> <p>Malzeme / Material : EPDM 01.02.03 - 01.03.03</p>			<p><b>03.07.03</b></p> <p>(T) FİTİL (T) GASKET</p> <p>Malzeme / Material : EPDM 01.07.01 - 01.07.01</p> <p>Ölçek/Scale: 1/2</p>	
04		<p><b>03.06.04</b></p> <p>KÖŞE FİTİLİ (SAĞ) CORNER GASKET (RIGHT)</p> <p>Malzeme / Material : EPDM 01.02.04 - 01.03.04</p>			<p><b>03.07.04</b></p> <p>(L) FİTİL (L) GASKET</p> <p>Malzeme / Material : EPDM 01.12.03 - 01.12.03</p>	
05		<p><b>03.06.05</b></p> <p>KÖŞE FİTİLİ (SAĞ) CORNER GASKET (RIGHT)</p> <p>Malzeme / Material : EPDM 01.02.05 - 01.03.05</p>			<p><b>01.22.01</b></p> <p>CAM TAKOZ FİTİLİ SUPPORT GASKET</p> <p>Malzeme / Material : EPDM Ağırlık / Weight : 103 gr/m Paket / Package : 145 m / 15 kg</p>	
06		<p><b>03.06.06</b></p> <p>KÖŞE FİTİLİ (SAĞ) CORNER GASKET (RIGHT)</p> <p>Malzeme / Material : EPDM 01.02.06 - 01.03.06</p>				
07		<p><b>03.06.07</b></p> <p>KÖŞE FİTİLİ (SAĞ) CORNER GASKET (RIGHT)</p> <p>Malzeme / Material : EPDM 01.02.07 - 01.03.07</p>				

	<p>02.01.01</p> <p>PVC PROFİL PVC PROFILE</p> <p>Malzeme / Material : PVC</p>			<p>02.03.06</p> <p>PVC PROFİL PVC PROFILE</p> <p>Malzeme / Material : PVC</p>	
	<p>02.01.02</p> <p>PVC PROFİL PVC PROFILE</p> <p>Malzeme / Material : PVC</p>			<p>02.03.10</p> <p>PVC PROFİL PVC PROFILE</p> <p>Malzeme / Material : PVC</p>	
	<p>02.01.04</p> <p>PVC PROFİL PVC PROFILE</p> <p>Malzeme / Material : PVC</p>			<p>02.03.11</p> <p>PVC PROFİL PVC PROFILE</p> <p>Malzeme / Material : PVC</p>	
	<p>02.01.05</p> <p>PVC PROFİL PVC PROFILE</p> <p>Malzeme / Material : PVC</p>			<p>03.01.01</p> <p>SU TAHLİYE PARÇASI WATER DISCHARGE PART</p>	
	<p>02.01.07</p> <p>PVC PROFİL PVC PROFILE</p> <p>Malzeme / Material : PVC</p>			<p>04.10.17</p> <p>PVC KAPAK PVC CAP</p> <p>R50 P 06 için for R50 P 06</p>	
	<p>02.01.08</p> <p>PVC PROFİL PVC PROFILE</p> <p>Malzeme / Material : PVC</p>			<p>04.10.21</p> <p>PVC KAPAK PVC CAP</p> <p>R50 P 32 için for R50 P 32</p>	
	<p>02.01.09</p> <p>PVC PROFİL PVC PROFILE</p> <p>Malzeme / Material : PVC</p>			<p>04.15.03</p> <p>KASET SEVİYE TAKOZU VENT SUPPORT PART</p> <p>Malzeme / Material : PVC</p>	

01

02

03

04

05

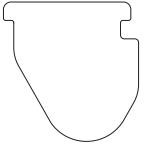
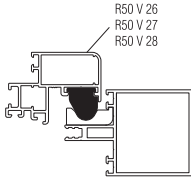
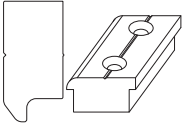
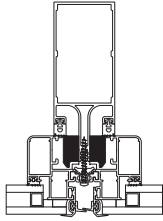
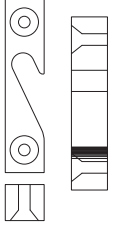
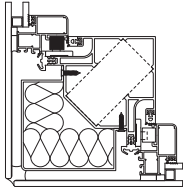
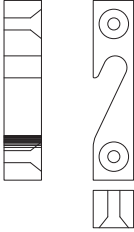
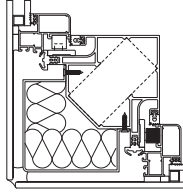
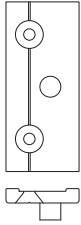
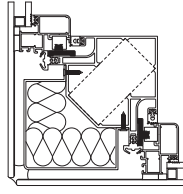

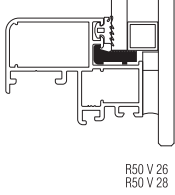

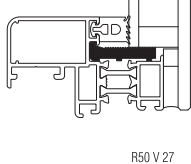
06

07

08

09

10

01		04.15.04 KASET SEVİYE TAKOZU VENT SUPPORT PART Malzeme / Material : PVC				
02						
03		11.01.01 KASET YAN TAKOZLARI VENT SUPPORT PART Malzeme / Material : PVC				
04		11.01.02 KASET SABİTLEME PARÇASI VENT FIXING PART SOL / LEFT Malzeme / Material : Alüminyum Aluminium				
05						
06		11.01.04 KASET SABİTLEME PARÇASI VENT FIXING PART SAĞ / RIGHT Malzeme / Material : Alüminyum Aluminium				
07						
08		11.01.03 KASET BAĞLANTI PARÇASI VENT CONNECTION PART Malzeme / Material : Alüminyum Aluminium				
09		11.02.14 CAM TAKOZU GLASS SUPPORT Malzeme / Material : PVC				
10		11.02.15 CAM TAKOZU GLASS SUPPORT Malzeme / Material : PVC				

CEPHE MAKASLARI / ARMS FOR CURTAIN WALL



GIESSE CEPHE MAKASLARI  
GIESSE ARMS FOR CURTAIN WALL

Malzeme / Material : Paslanmaz Çelik  
Stainless Steel

EN 13126-6:2007

GIESSE DIŐA AÇILIM MAKAS GIESSE ARM FOR TOP HUNG	MAKAS BOYU ARM LENGHT		KANAT GENİŐLİĐİ SASH WIDTH (mm)	KANAT YÜKSEKLİĐİ SASH HEIGHT (mm)	KANAT AĐIRLIĐI SASH WEIGHT (kg)	MAX. AÇMA DEREĐESİ MAX. OPENING ANGLE
	INCH	MM				
07.03.14	10"	261,5	1200	700	50 kg	35°
07.03.02	12"	317	1200	800	60 kg	30° / 35°
07.03.03	14"	352	1300	1000	69,5 kg	30° / 35°
07.03.13	16"	353,5	1400	1200	88,5 kg	25° / 30°
07.03.04	18"	458,5	1400	1400	102 kg	25° / 30°
07.03.12	20"	511,5	1500	1600	135 kg	20° / 25°
07.03.15	22"	556,6	1500	1700	137 kg	20° / 25°
07.03.16	24"	602,5	1500	1800	139 kg	20° / 25°
07.03.17	28"	707,5	1500	2000	155 kg	10° / 15° / 20°
07.03.18*	26"	690	*1700	*2500	*180 kg	*7°

ÖZEL RÜZGAR YÜKÜ KOŐULLARI İÇİN SİPARİŐ ÖNCESİ BİLGİ ALINMALIDIR.

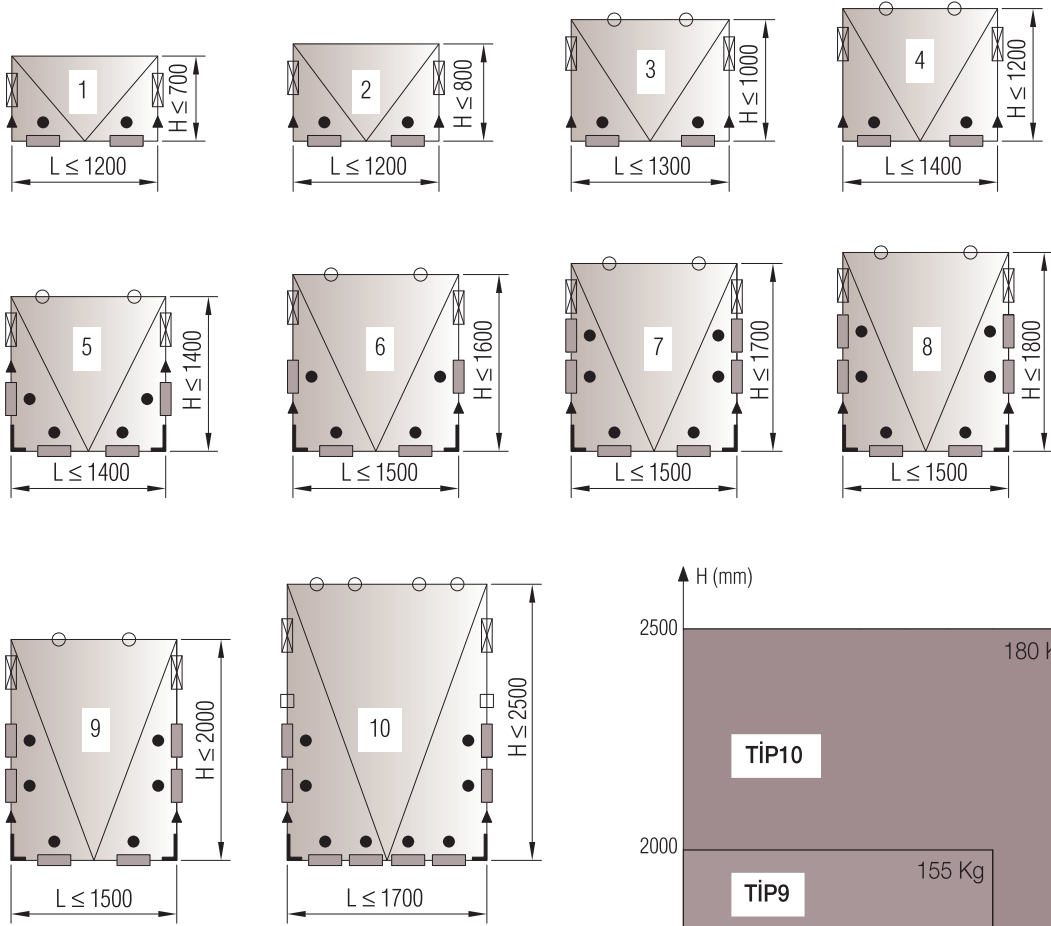
FOR SPECIAL WIND LOAD CONDITIONS TAKE ADITIONAL INFORMATION BEFORE ORDERING.

\*07.03.18 KODLU MAKAS İLAVE LİMİTLEME MAKASI İLE BİRLİKTE KULLANILMALIDIR.

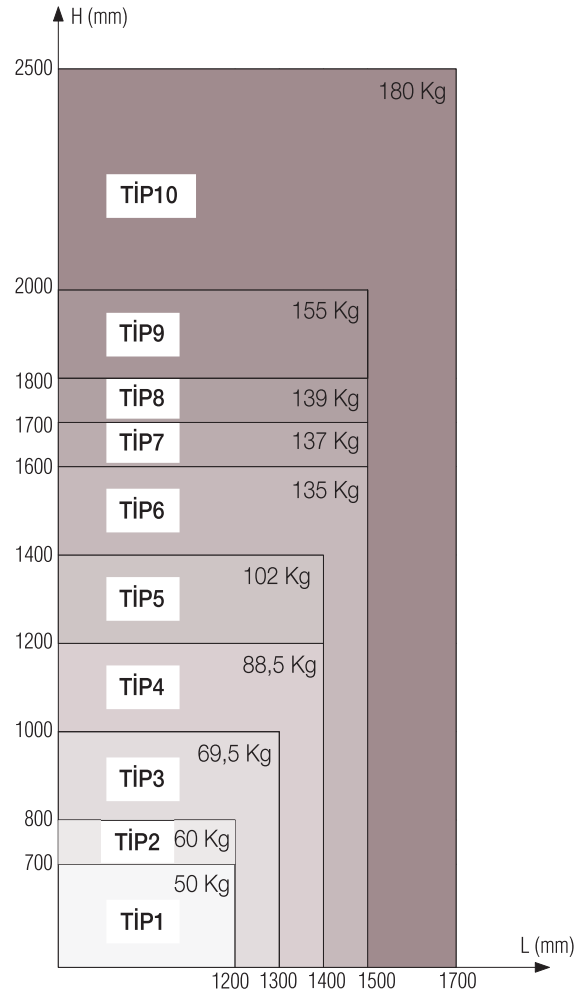
07.03.18 ARM MUST BE USED WITH ADITIONAL LASER ARM

KİLİTLEME SİSTEMLERİ / LOCKING KITS

KANAT EBATLARINA GÖRE KİLİTLEME TİPLERİ  
TYPES OF LOCKING KITS FOR TOP HUNG WINDOW



		07.03.xx
		07.09.09
		07.13.06
		11.01.01
		07.09.10
		07.21.02
		07.13.19



KİLİTLEME SETLERİ TABLOSU / LOCKING KITS TABLE



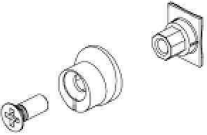
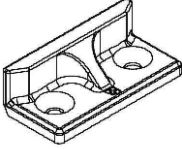



KİLİTLEME TİPLERİNE GÖRE AKSESUAR SEÇİM TABLOSU  
ACCESSORIES SELECTION TABLE ACCORDING TO LOCKING TYPES

TİP TYPE	MAKAS (tk) ARM (tk)	07.05.27 CEPHE KOLU HANDLE	07.25.03 KOL BAĞLANTISI CONNECTION ROD	07.09.09 KARŞILIK STRIKER	07.13.06 PİM PAWL	11.01.10 KANAT YAN TAKOZU SUPPORT BLOCK	07.09.10 ÜST KİLİTLEME BURGLAR BOLT	07.21.02 KÖŞE DÖŞEME CORNER DRIVE	07.13.19 LİMİTLEME MAKASI LASER ARM
1	07.03.14	1	2	2	2	2			
2	07.03.02	1	2	2	2	2			
3	07.03.03	1	2	2	2	2	2		
4	07.03.13	1	2	2	2	2	2		
5	07.03.04	1	2	4	4	2	2	2	
6	07.03.12	1	2	4	4	2	2	2	
7	07.03.15	1	2	6	6	2	2	2	
8	07.03.16	1	2	6	6	2	2	2	
9	07.03.17	1	2	6	6	2	2	2	
10	07.03.18	1	2	8	8	2	4	2	2

\*\*\* Giese kol ve kilitleme aksesuarları 25 l 07 tij profili ile kullanılmalıdır.

Giese handle and locking accessories should be used with 25 l 07 rod profile

GIESSE KANAT AÇILIM AKSESUARLARI / GIESSE OPENING ACCESSORIES FOR TOP-HUNG WINDOW

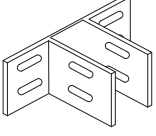

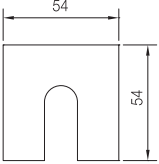
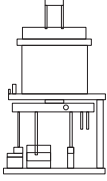
01	 <p><b>07.05.27</b> GIESSE CEPHE KOLU GIESSE HANDLE FOR CURTAIN WALL Renk / Color: Siyah - Gri Black - Grey</p>	 <p><b>07.25.03</b> GIESSE KOL BAĞLANTI PARÇASI GIESSE CONNECTION ROD Malzeme / Material: Zamak/Zamak</p> <p>07.05.27 Kol için / For Handle 07.05.27</p>
02		
03	 <p><b>07.13.06</b> GIESSE AYARLI PİM GIESSE ADJUSTABLE LOCKING PAWL Malzeme / Material: Zamak/Zamak</p>	 <p><b>07.09.09</b> GIESSE PİM KARŞILIĞI GIESSE STRIKER Malzeme / Material: Zamak/Zamak</p>
04		
05	 <p><b>07.09.10</b> GIESSE ÜST KİLİTLEME GIESSE BURGLAR BOLT Malzeme / Material: Zamak-Polyamid Zamak &amp; Polyamide</p>	 <p><b>07.21.02</b> GIESSE KÖŞE DÖNME GIESSE CORNER DRIVE Malzeme / Material: Zamak/Zamak</p>
06	 <p><b>07.13.19</b> GIESSE LİMİTLEME MAKASI GIESSE LASER ARM</p>	
07		
08		
09		
10		



KANAT AÇILIM AKSESUARLARI / OPENING ACCESSORIES FOR TOP-HUNG WINDOW

 <p>07.05.23 RESCARA CEPHE KOLU RESCARA HANDLE FOR CURTAIN WALL Renk / Color: Siyah - Gri Black - Grey</p>	 <p>07.13.05 PİM PIN 07.05.23 Kol için / For Handle 07.05.23</p>
 <p>07.09.05 PİM KARŞILIĞI LOCK PLATE Malzeme / Material: Zamak/Zamak</p>	 <p>07.21.01 KÖŞE AKTARMA AKSESUARİ CORNER TRANSMISSION ACCESSORIES</p>

DİĞER / OTHERS

 <p>08.01.01 SABİT ANKRAJ + PUL FIX ANCHORAGE - ROVE Malzeme / Material: Alüminyum / Aluminium</p>	 <p>08.01.02 HAREKETLİ ANKRAJ + PUL MOVE ANCHORAGE - ROVE Malzeme / Material: Alüminyum / Aluminium</p>
 <p>04.09.01 SABİT ANKRAJ İÇİ PLASTİĞİ PVC FOR ANCHORAGE Malzeme / Material: PVC</p>	 <p>21.01.03 PUNCH MAKİNESİ PUNCH MACHINE (PNÖMATİK)</p>

